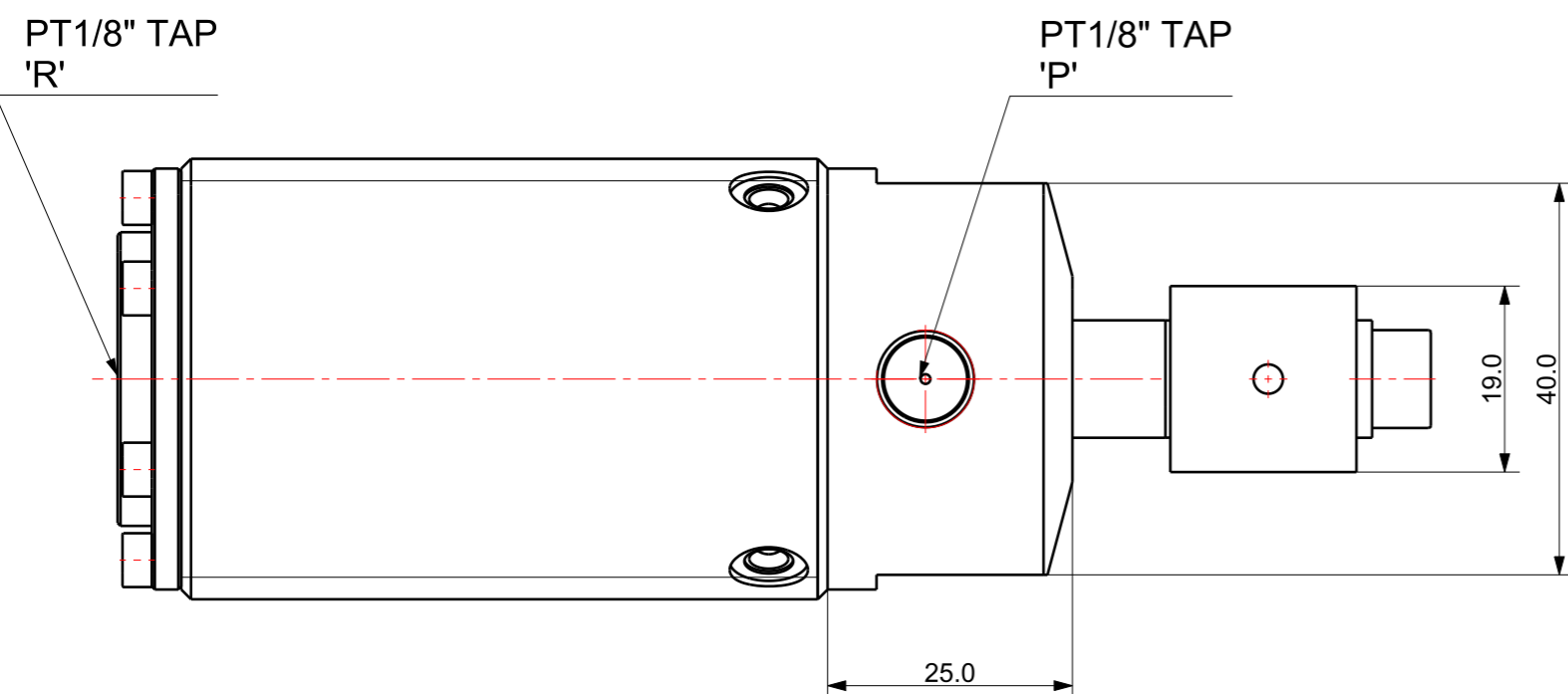
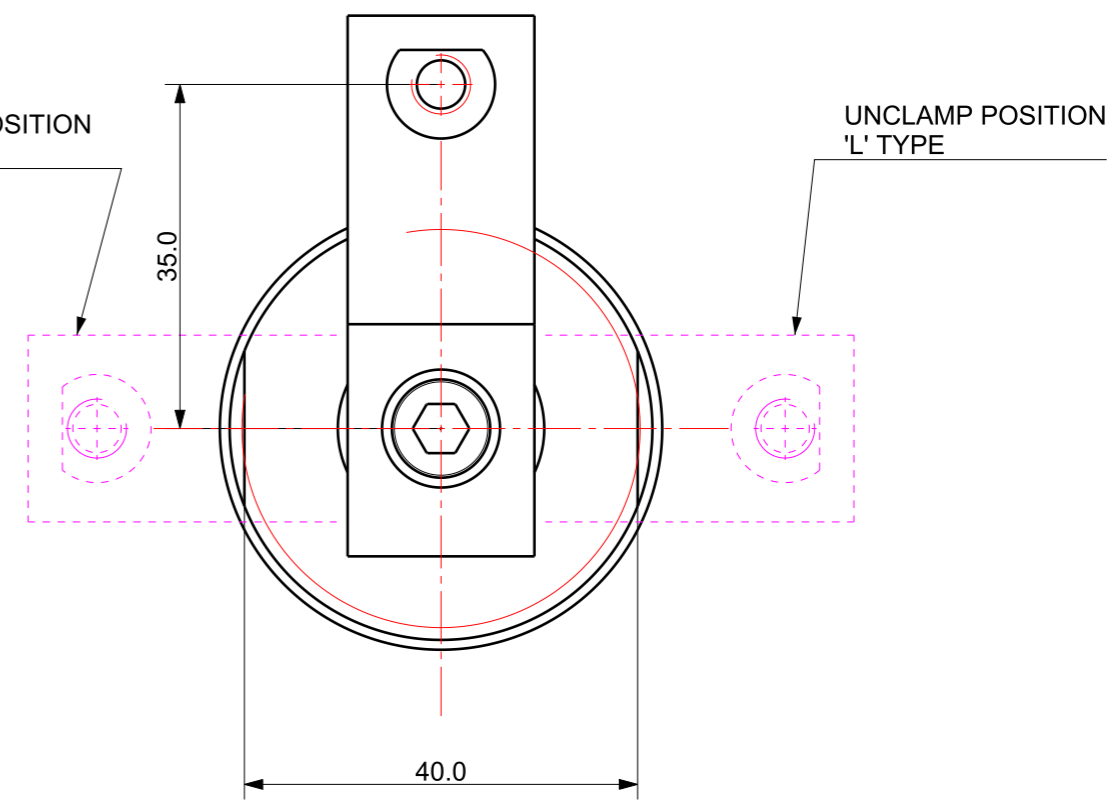
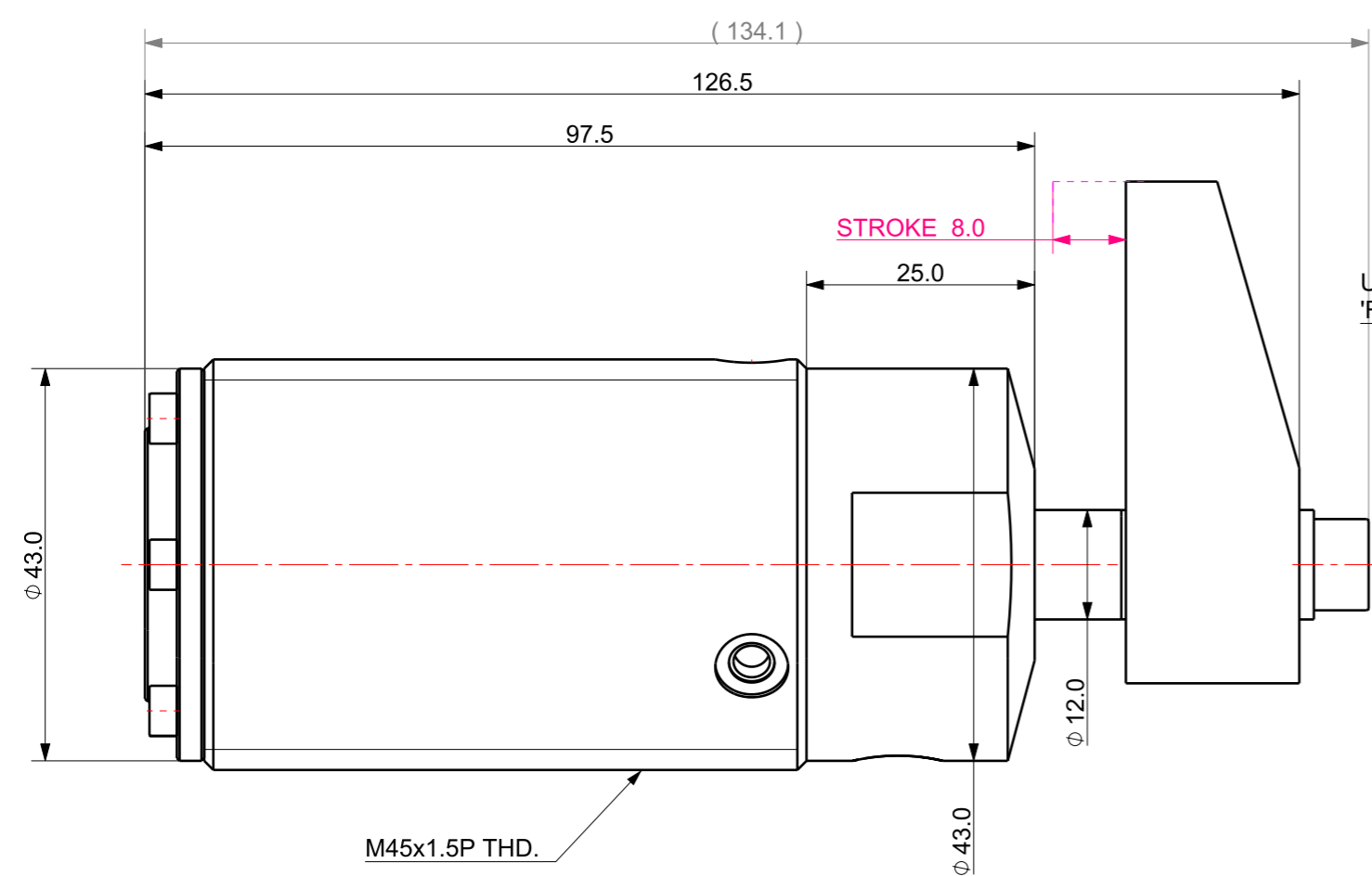


REVISIONS

ZONE	LTR	DESCRIPTION	DATE	APPROVED



STROKE

-STRAIGHT : 8mm

PISTON O.D (mm)	ROD O.D (mm)	PUSH AREA (cm ²)	PULL AREA (cm ²)	PRESSURE (kgf/cm ²)	PUSH FORCE (kgf)	PULL FORCE (kgf)	REMARK
32	12	8.0	6.9	5	34.6	40.2	

CLAMPING FORCE(abt, kgf, Standard Lever)

3bar	4bar	5bar	6bar	7bar	REMARK
20	23	30	35	40	

DET. NO	NAME	QTY	MATL	FINAL SIZES & PART No	REMARK
UNLESS OTHERWISE SPECIFIED		SIGNATURES		MO-DA-YR	
DIMENSIONS ARE IN MM		DRAWN			
ALL SURFACES 6.3S		CHECKED		TITLE	
TOLERANCES		APPROVED			
ANGLE					
.X ±					
.X ± 0.15					
.XX ±					
FINISH		WORK ORDER NO		REF DWG NO.	
				DWG NO	
HEAT TREAT				SSDx-3208A-DWG	
				A3	
				SCALE	
				TOOL <input type="checkbox"/> PART <input type="checkbox"/> SHEET <input type="checkbox"/> OF	



SWIVEL SWING CLAMP

SSDx-3208A-DWG

A3