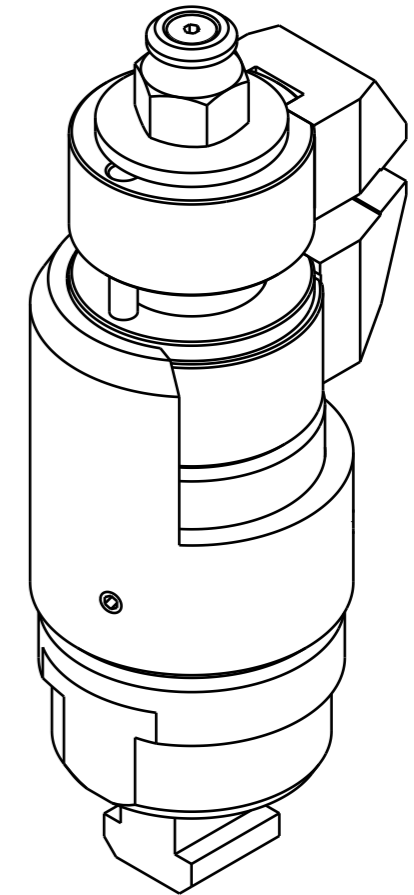
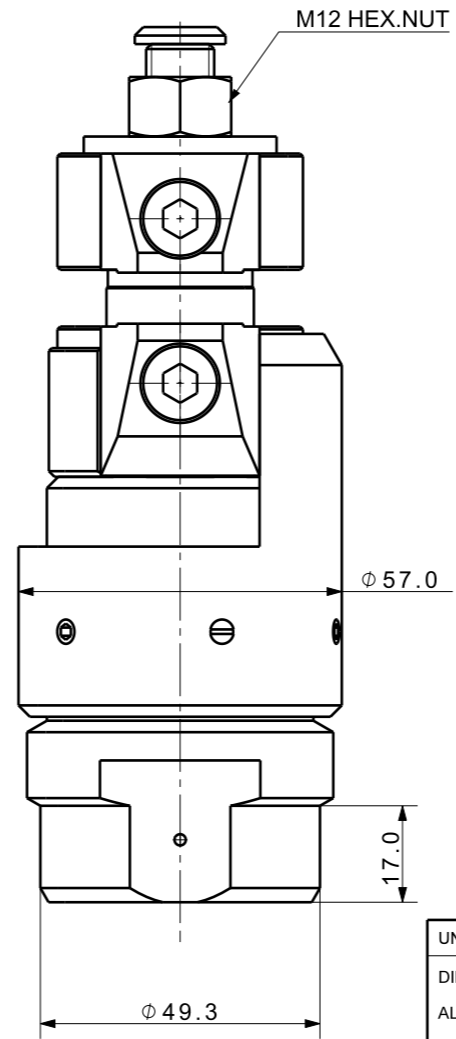
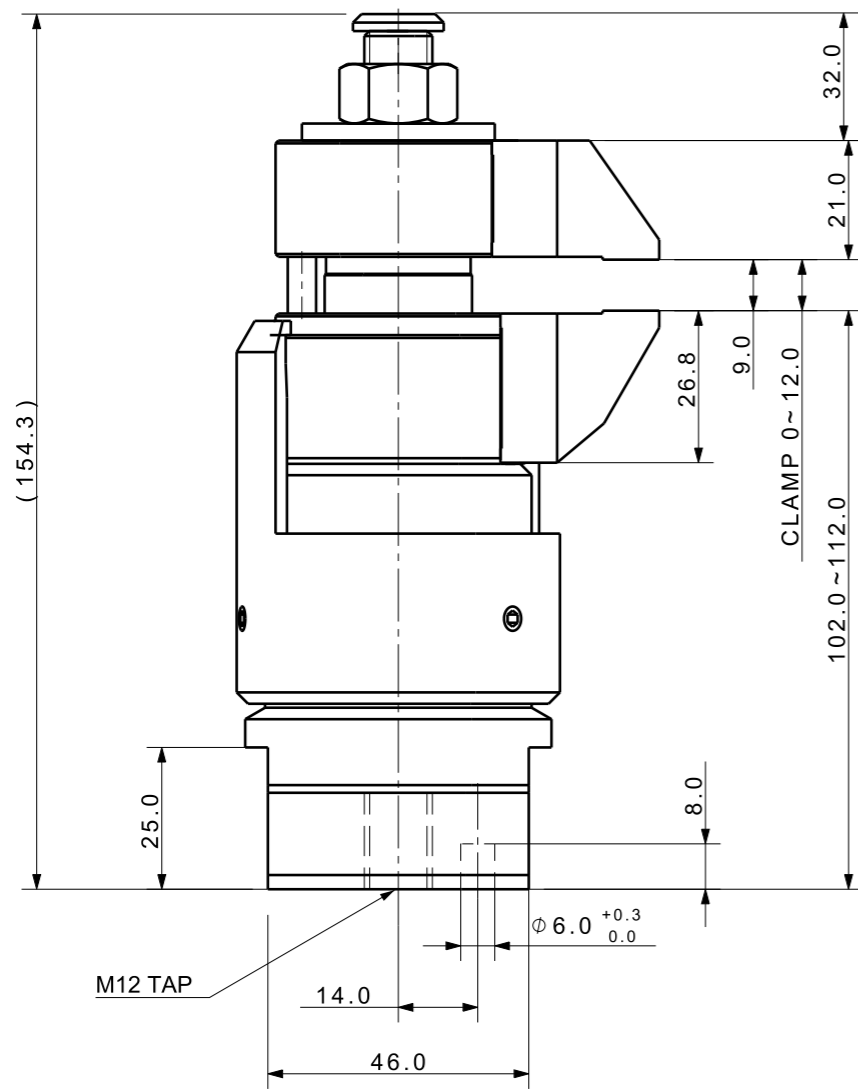
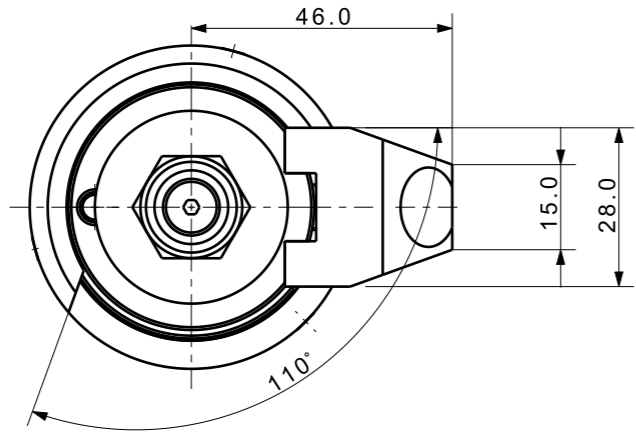


FILE NAME:

REVISIONS				
ZONE	LTR	DESCRIPTION	DATE	APPROVED



Isometric view (3:4)

NOTE)  
 MIN. 150kgf.cm = 200kgf  
 MAX. 300kgf.cm = 800kgf  
 CLAMPING STORKE = 0~12mm

1	MAIN BODY	1	SCM4	SWC-3612-01_B	
DET.NO	NAME	QTY	MATL	FINAL SIZES & PART No	REMARK

UNLESS OTHERWISE SPECIFIED	SIGNATURES	MO-DA-YR
DIMENSIONS ARE IN MM	DRAWN	
ALL SURFACES 6.3S	CHECKED	
TOLERANCES	APPROVED	
ANGLE		
X ±		
.X ± 0.15		
.XX ±		
FINISH	WORK ORDER NO	
HEAT TREAT		

TITLE	
<h1>SUPPORT CLAMP</h1>	
REF DWG NO.	DWG NO
---	SWC-4012_-
SCALE	TOOL <input type="checkbox"/> PART <input type="checkbox"/> SHEET OF
	A3