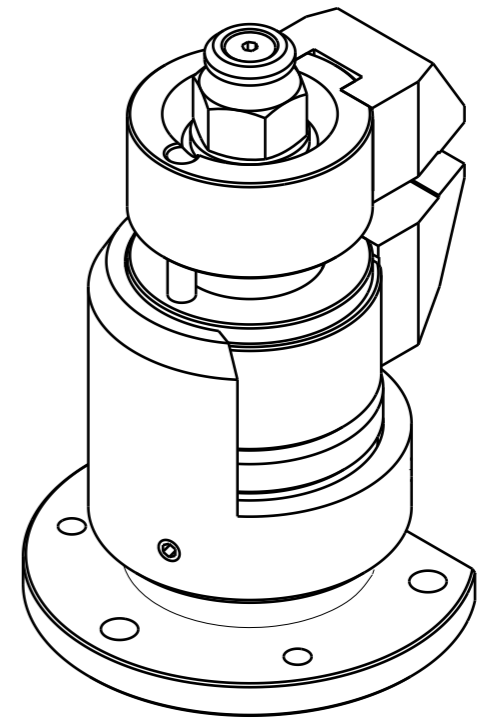
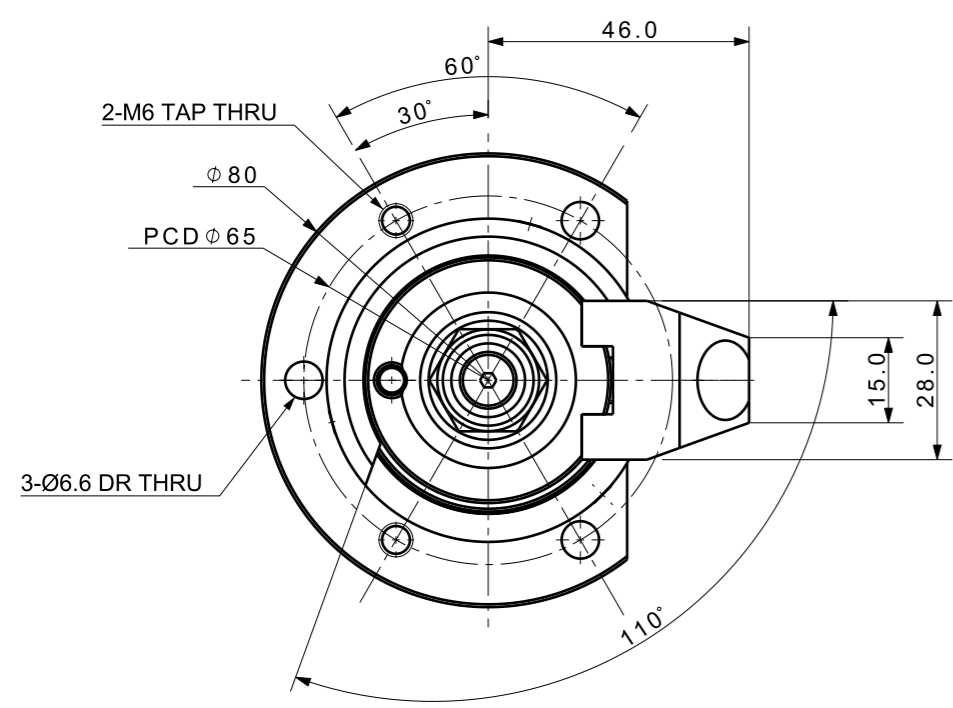


FILE NAME:

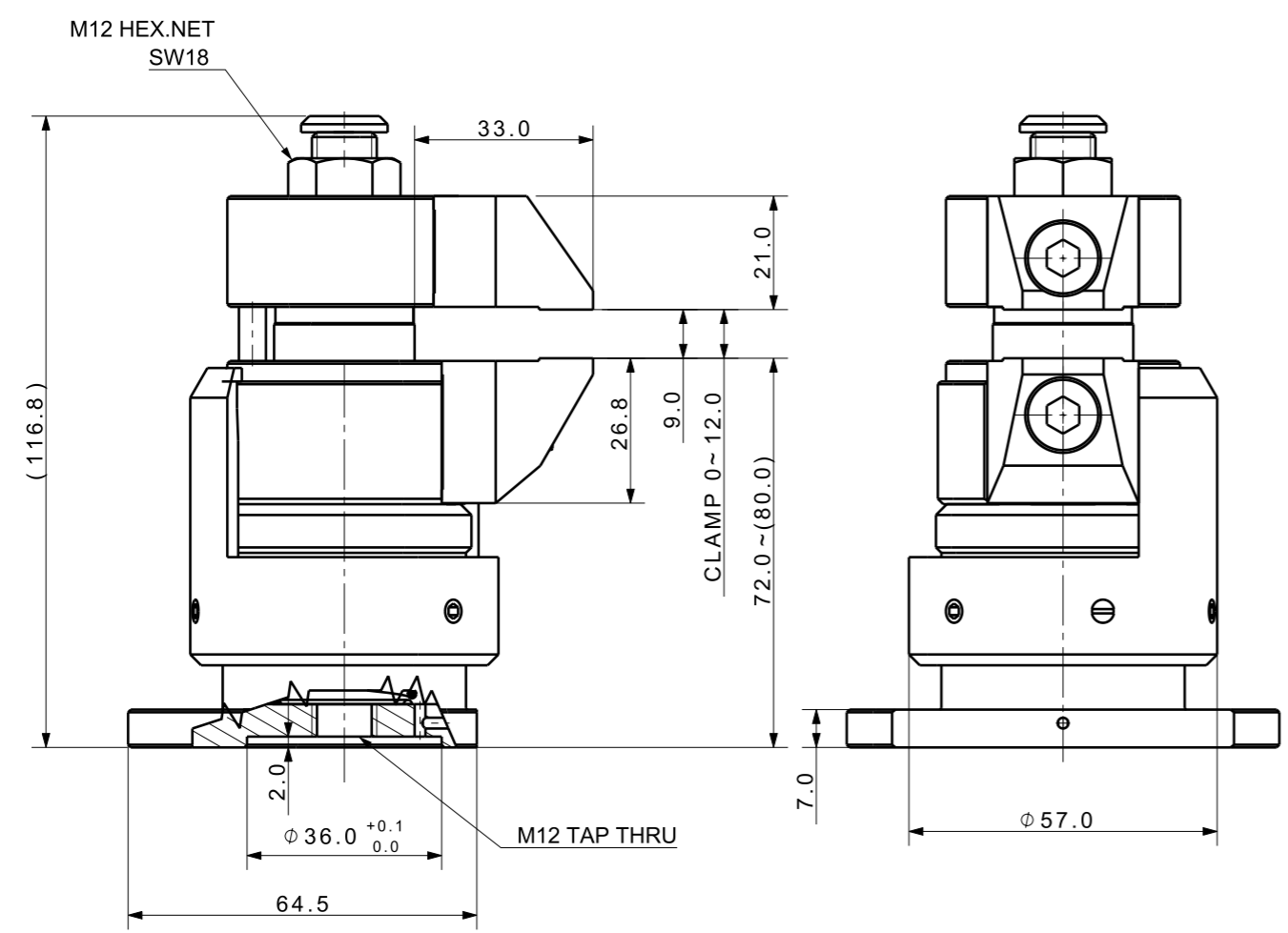
REVISIONS

ZONE	LTR	DESCRIPTION	DATE	APPROVED



Isometric view (3:4)

NOTE)  
 MIN.150kgf.cm = 200kgf  
 MAX.300kgf.cm = 800kgf  
 CLAMPING STROKE = 0~12mm



DET.NO	NAME	QTY	MAT'L	FINAL SIZES & PART No	REMARK

UNLESS OTHERWISE SPECIFIED	SIGNATURES	MO-DA-YR
DIMENSIONS ARE IN MM	DRAWN	
ALL SURFACES 6.3S	CHECKED	
TOLERANCES	APPROVED	
ANGLE		
.X ±		
.X ± 0.15		
.XX ±		
FINISH	WORK ORDER NO	
HEAT TREAT		


**KJF** (주)케이제이에프  
 TOTAL CLAMPING SYSTEMS

**TITLE**  
 SUPPORT CLAMP  
 (COMPACT TYPE)

REF DWG NO.      DWG NO.  
 \_\_\_\_\_      **SWCC-4012\_-**

SCALE      TOOL      PART      SHEET      OF

**A3**