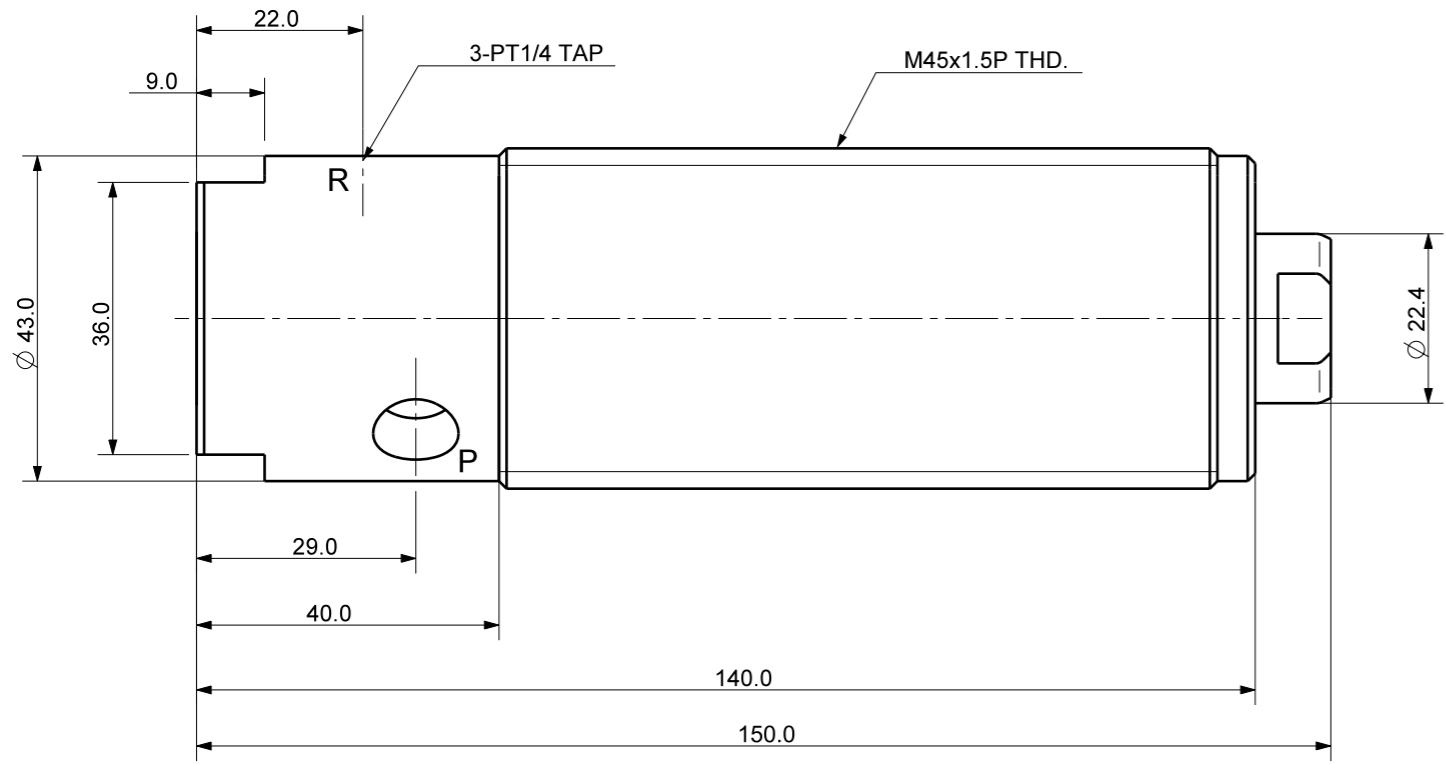
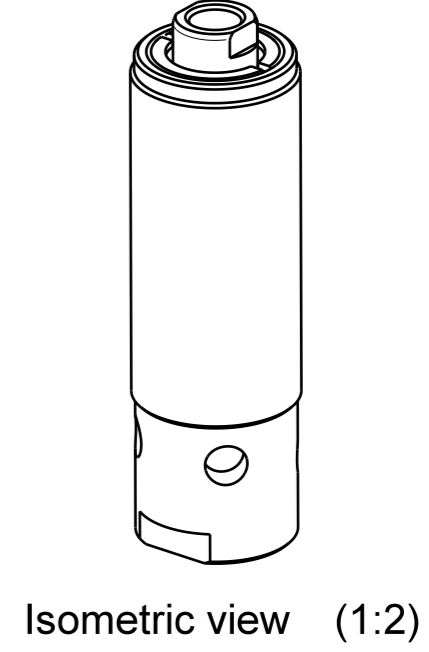
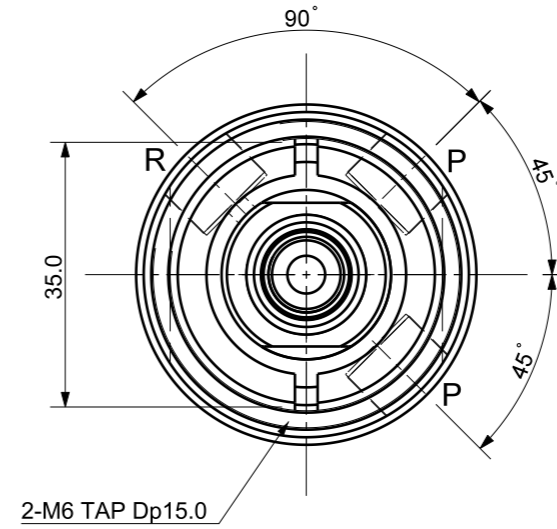
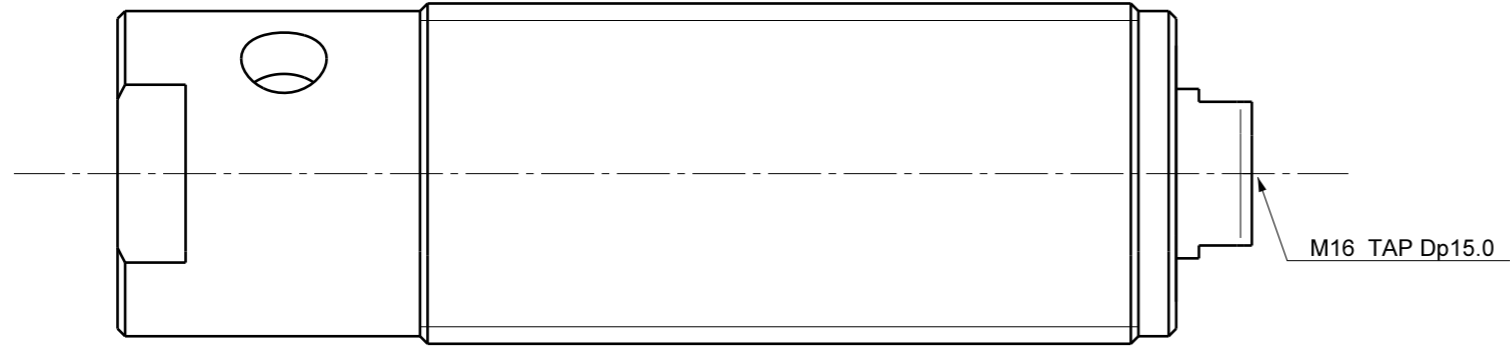



FILE NAME:

REVISIONS				
ZONE	LTR	DESCRIPTION	DATE	APPROVED



DET. NO	NAME	QTY	MAT'L	FINAL SIZES & PART No	REMARK

UNLESS OTHERWISE SPECIFIED	SIGNATURES	MO-DA-YR
DIMENSIONS ARE IN MM	DRAWN	
ALL SURFACES 6.3S	CHECKED	
TOLERANCES	APPROVED	
ANGLE		
.X		
.X		
.XX		
FINISH	WORK ORDER NO	
HEAT TREAT		

 케이제이에프(주) TOTAL CLAMPING SYSTEMS	
TITLE	
THD' BODY CLAMP	
REF DWG NO.	DWG NO
---	TBD-3250
SCALE	TOOL <input type="checkbox"/> PART <input type="checkbox"/> SHEET OF
	A3