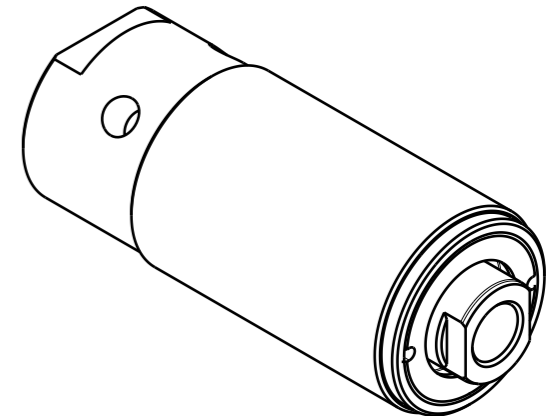
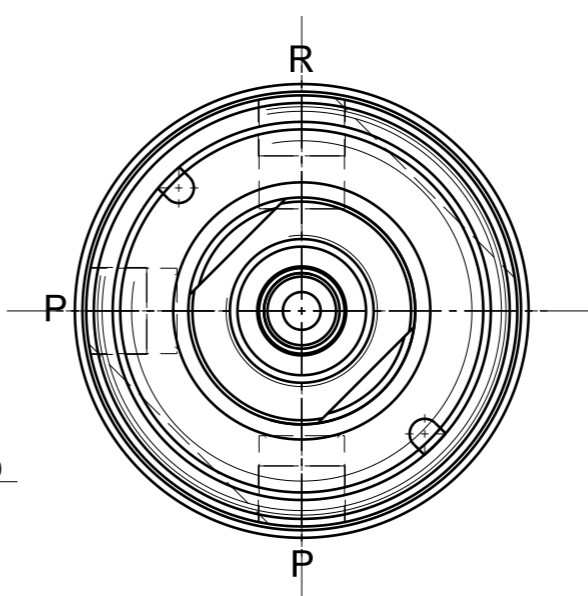
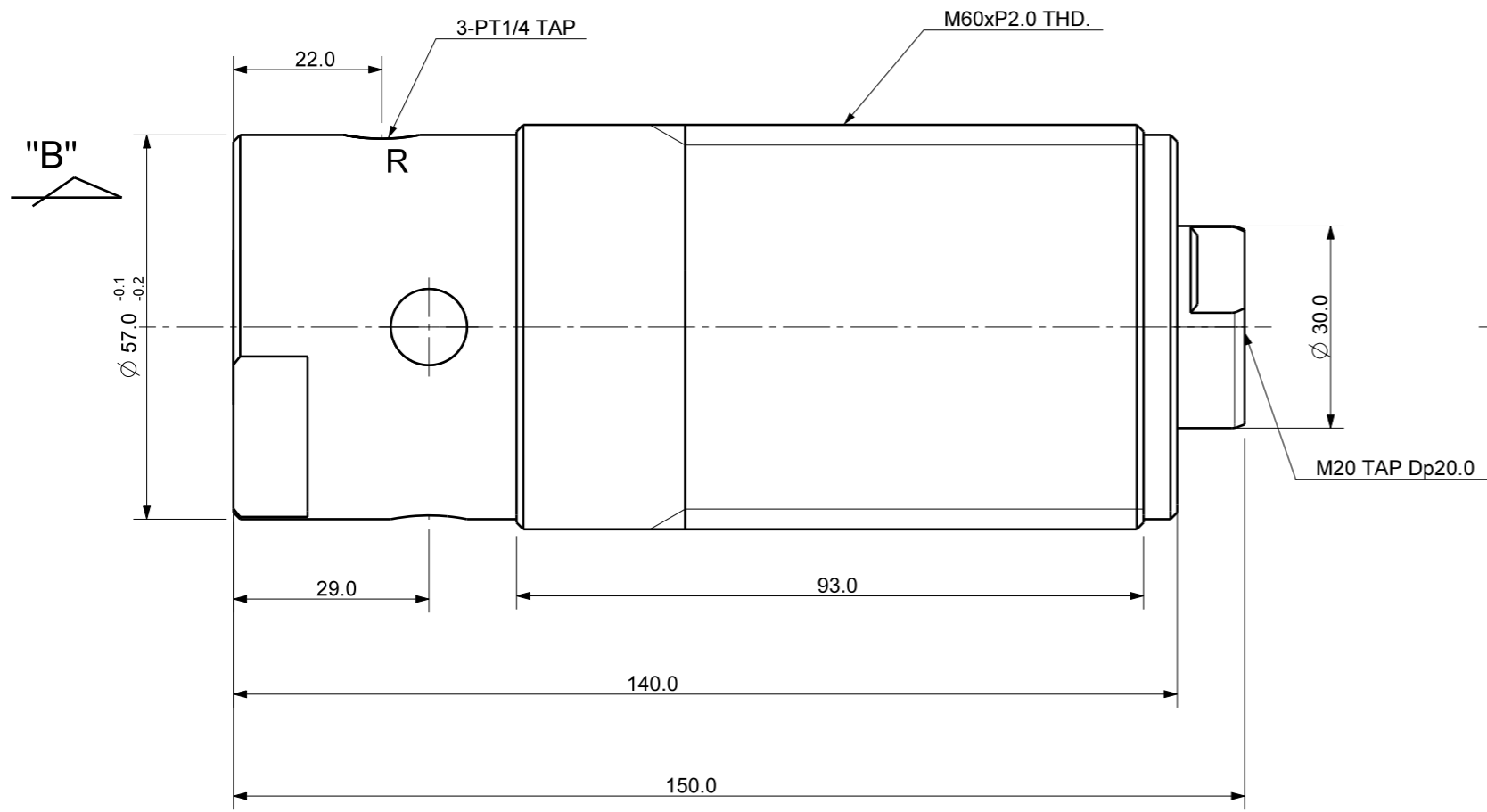


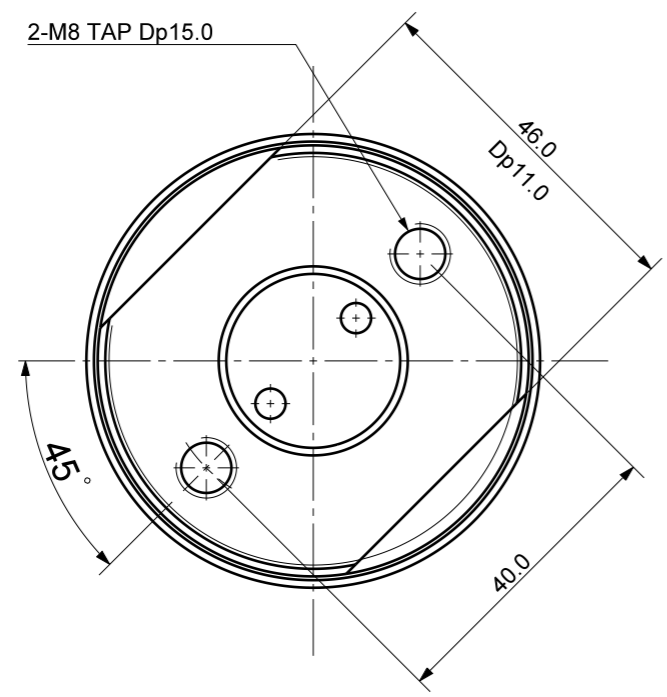
FILE NAME:

REVISIONS

ZONE	LTR	DESCRIPTION	DATE	APPROVED



Isometric view (1:2)



View B (1:1)

DET. NO	NAME	QTY	MAT'L	FINAL SIZES & PART No	REMARK
UNLESS OTHERWISE SPECIFIED		SIGNATURES		MO-DA-YR	
DIMENSIONS ARE IN MM		DRAWN			
ALL SURFACES 6.3S		CHECKED			
TOLERANCES		APPROVED		TITLE	
ANGLE				KJF (주)케이제이에프	
X ±				TOTAL CLAMPING SYSTEMS	
.X ± 0.15				THD' BODY CLAMP	
.XX ±					
FINISH		WORK ORDER NO		REF DWG NO.	
HEAT TREAT				DWG NO	
				TBD-4050	
				A3	
				SCALE / TOOL <input type="checkbox"/> PART <input type="checkbox"/> SHEET OF	