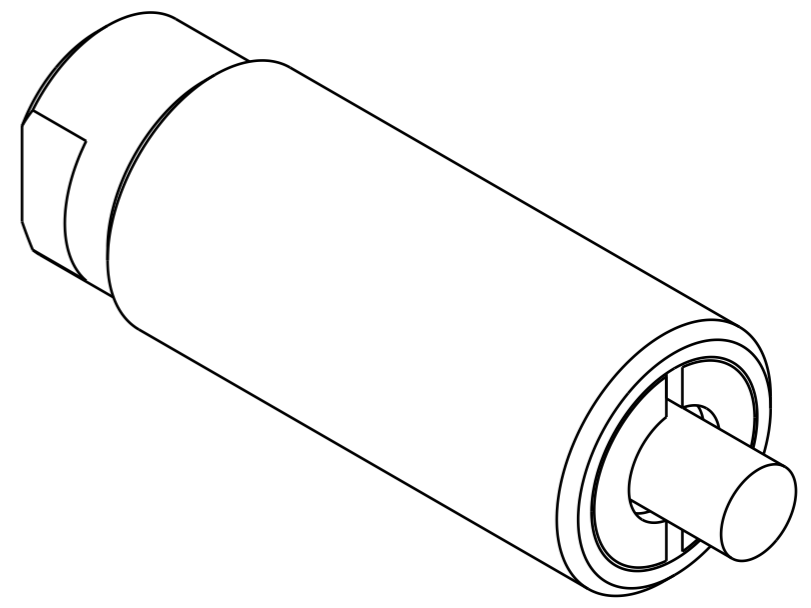
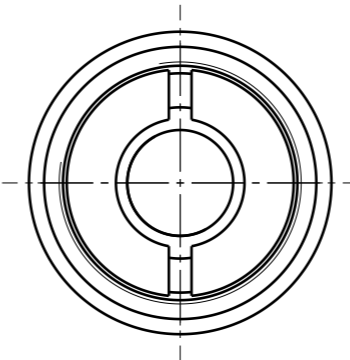
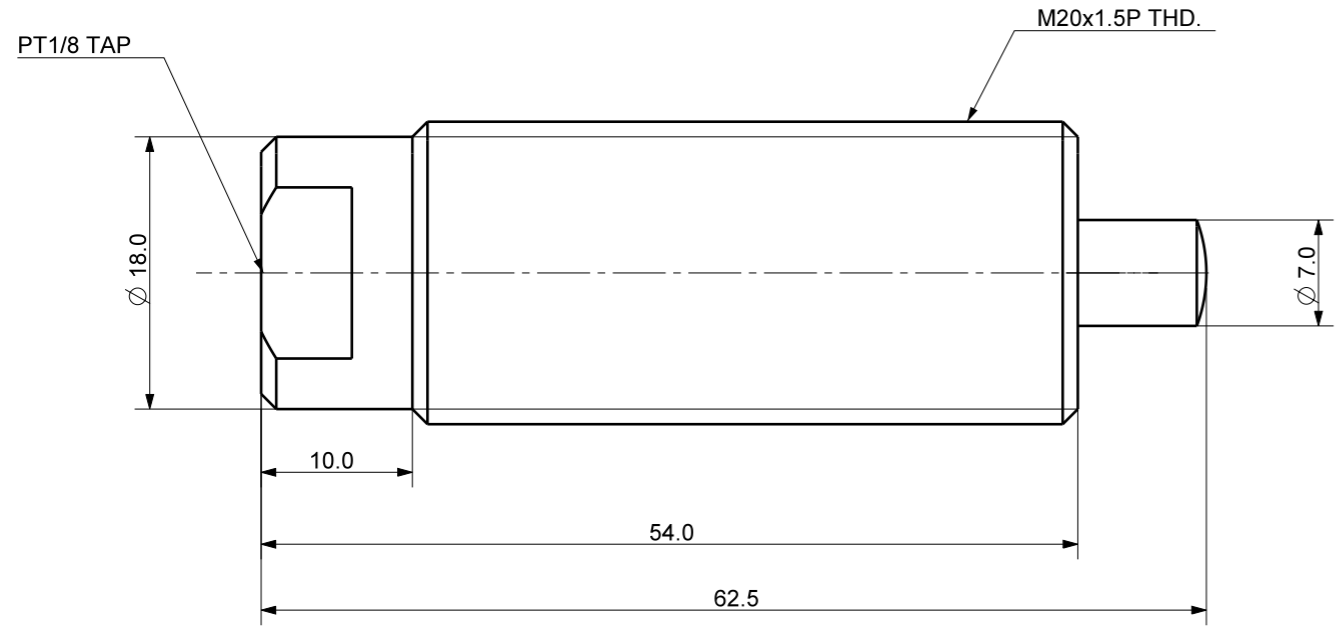


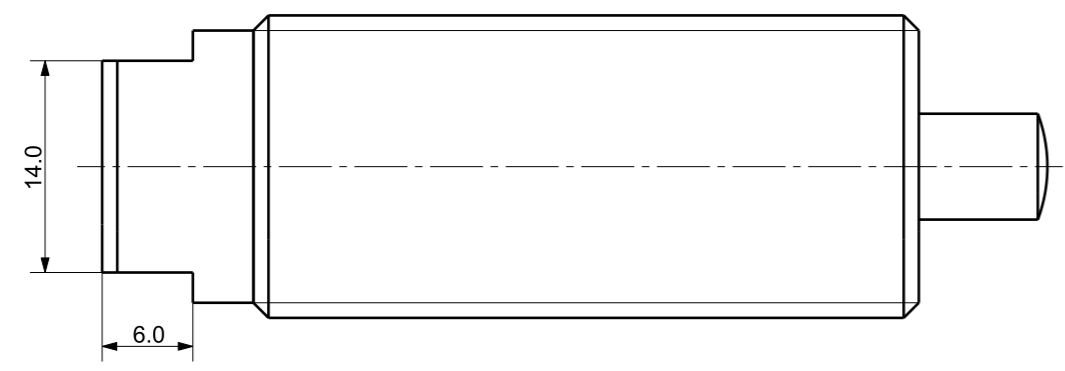
FILE NAME:

REVISIONS

ZONE	LTR	DESCRIPTION	DATE	APPROVED
------	-----	-------------	------	----------



Isometric view (2:1)



DET. NO	NAME	QTY	MAT'L	FINAL SIZES & PART No	REMARK
UNLESS OTHERWISE SPECIFIED		SIGNATURES		MO-DA-YR	
DIMENSIONS ARE IN MM		DRAWN		TITLE	
ALL SURFACES 6.3S		CHECKED		KJF 케이제이에프(주) TOTAL CLAMPING SYSTEMS	
TOLERANCES		APPROVED		THD' BODY CLAMP	
ANGLE		WORK ORDER NO		REF DWG NO.	
X ±				DWG NO	
.X ± 0.15				---	
.XX ±				TBP-1308	
FINISH				A3	
HEAT TREAT				SCALE / TOOL <input type="checkbox"/> PART <input type="checkbox"/> SHEET OF	