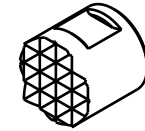
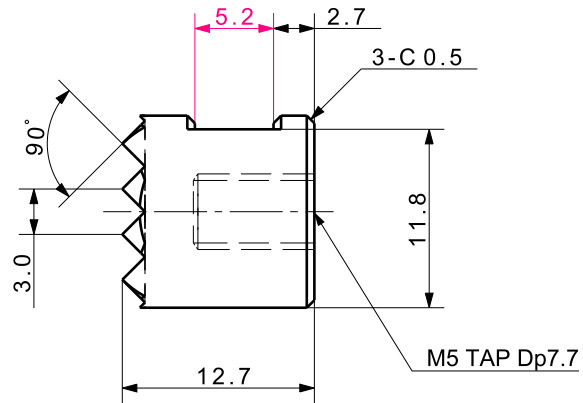
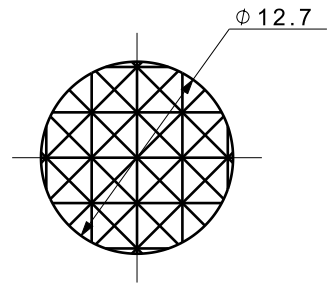



FILE NAME:



Isometric view (1:1)

UNLESS OTHERWISE SPECIFIED DIMENSIONS ARE IN MM ALL SURFACES TOLERANCES ANGLE ± .X ± .XX ±	SIGNATURES	MO-DA-YR	 (주)케이제이에프 TOTAL CLAMPING SYSTEMS			
	DRAWN					
	FINISH	WORK ORDER NO	REF DWG NO.	DWG NO	A4	
HEAT TREAT		---	TCP-31			
		SCALE	TOOL <input type="checkbox"/>	PART <input type="checkbox"/>	SHEET	OF

(주)케이제이에프
TOTAL CLAMPING SYSTEMS

TITLE

Tungsten Carbide

REF DWG NO.

DWG NO

TCP-31

A4

SCALE

TOOL

PART

SHEET

OF