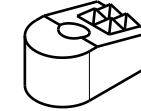
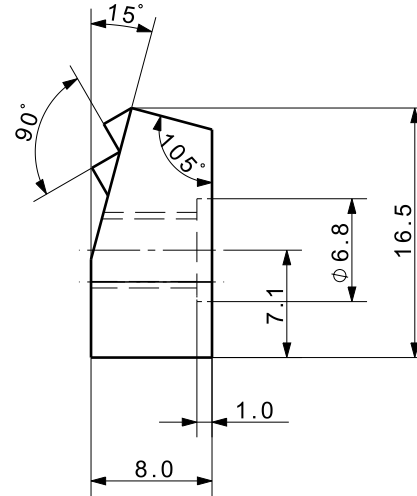



FILE NAME:



Isometric view (1:1)

|   |               |             |   |    |
|---|---------------|-------------|---|----|
| UNLESS OTHERWISE SPECIFIED<br>DIMENSIONS ARE IN MM<br>ALL SURFACES<br>TOLERANCES<br>ANGLE           ±<br>X                 ±<br>.X                ±<br>.XX              ± | SIGNATURES    | MO-DA-YR    |  (주)케이제이에프<br>TOTAL CLAMPING SYSTEMS |    |
|   | DRAWN         |             |   |    |
|   | CHECKED       |             | <h1>Tungsten Carbide</h1>   |    |
| APPROVED  |               |             |   |    |
| FINISH  | WORK ORDER NO | REF DWG NO. | DWG NO  | A4 |
| HEAT TREAT  |               | ---         | TCP-42  |    |
|   |               | SCALE       | TOOL <input type="checkbox"/> PART <input type="checkbox"/> SHEET   | OF |