

# CORPORATE PROFILE

## Toggle Clamps

(주)케이제이에프에 방문해 주신 것을 진심으로 환영합니다.

(주)케이제이에프는 토글 클램프, 유압/공압 클램프를 비롯해 로타리 조인트, 부스타, 워크서포트, 스윙블 패드, 플로우 컨트롤 밸브 등 워크홀딩 시스템에 필요한 다양한 제품을 전문적으로 생산하는 업체입니다.

부산소재 본사와 서울지사를 두고 있으며 언제나 고객과 함께 고객의 입장으로 제품을 제작하는데 최선을 다하고 있습니다. 한치 앞을 내다 볼 수 없는 무한 경쟁 세계에서 국내뿐만 아니라 해외시장으로 뻗어 나가기 위해 임직원 모두가 힘을 합쳐 일하고 있습니다.

1984년에 설립된 이래 30년이 넘는 시간 동안, 밀링 전용 픽스처, 용접 자동화 설비, 검사구, 조립 자동화 라인, 반도체 조립시설, 지그 & 픽스처, 가공 전용기 등에 들어가는 유압/공압 자동화 클램프 연구 개발에 앞장서서 치공구산업에 필수인 요소부품을 생산하기 위해 계속적으로 투자하고 있습니다.

표준화된 요소부품은 자동차, 지그, 통신기기, 광학기기, 섬유, 농업기계, 진공장비, 화학공업, 항공기기, 고무, 조선, 가전용전자기기, 중전기, 원동기, 중작업용 기기, 철도, 식품기계 등에 매우 중요한 부분입니다. 생산되는 제품의 전수 품질검사를 통해 불량률을 최소화 하고 있으며, 경쟁력 있는 가격 및 정밀도나 효율성에서 자사 제품이 최고라 자부합니다. 표준 클램프 제품 이외에, 고객의 작업 환경에 따라 요구되는 스페셜 사양에 대해서도 신속하고 정확한 솔루션(solution)을 제공하고 있습니다. 문제 해결에 대한 자문이 필요하시면 언제든지 연락바랍니다.

(주)케이제이에프는 정성을 다해 전 제품 생산에 임하고 있으며 품질향상과 효율을 높이기 위해 불철주야 노력하고 있습니다. 애정과 관심으로 지켜봐 주시고 여러분의 성원에 보답하기 위해 최선을 다하겠습니다. 감사합니다.

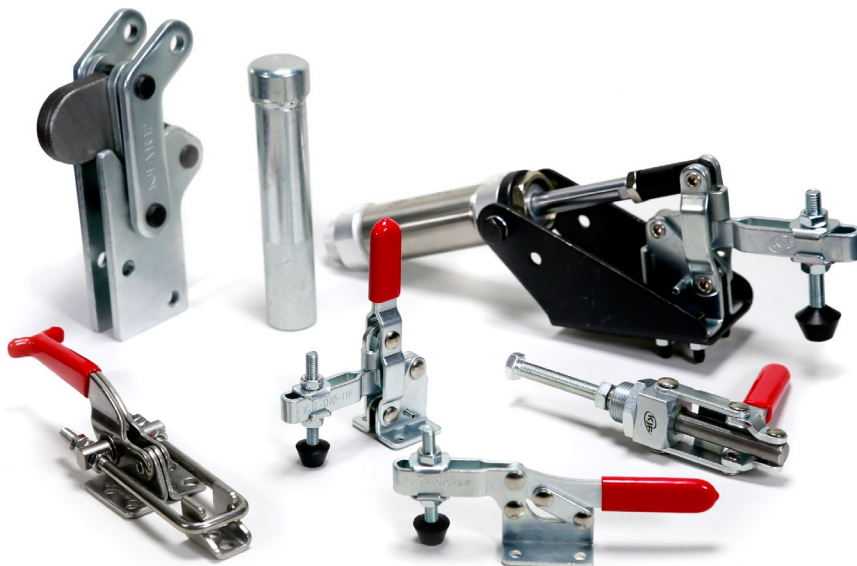
KJF is a manufacturer specializing in products for work holding systems, including toggle clamps, hydraulic / pneumatic clamps, rotary joints, boosters, work supports, swivel pads and flow control valves etc.. Headquartered in Busan with a branch office in Seoul, we endeavor to create products manufactured from the customer's perspective. In the era of limitless competition, the KJF team is dedicated to expanding the company operations in overseas markets.

Established in 1984, we have been leading the research and development of hydraulic / pneumatic automation clamps for milling fixture, welding automation facility, inspection jig, assembly automation line, semiconductor assembly facility, Jig & fixture, machining center etc. for more than 30 years, and we are investing continuously in manufacturing essential parts for the jig & fixture industry.

Standardized components are critical parts of the automotive, jig & fixture, telecommunication equipment, optic equipment, agriculture machines, vacuum equipment, chemical industry, aviation equipment, rubber, shipbuilding, household electronic equipment, heavy electric equipment, motor, heavy duty equipment, railroad industry, grocery machines etc..

We minimize defect rate through quality inspection of products, and as a result, we are fully confident in our products in terms of precision, efficiency, and price. In addition to standard products, we also provide swift and accurate solutions for custom specifications. We are standing by to assist you with any inquiries and troubleshooting.

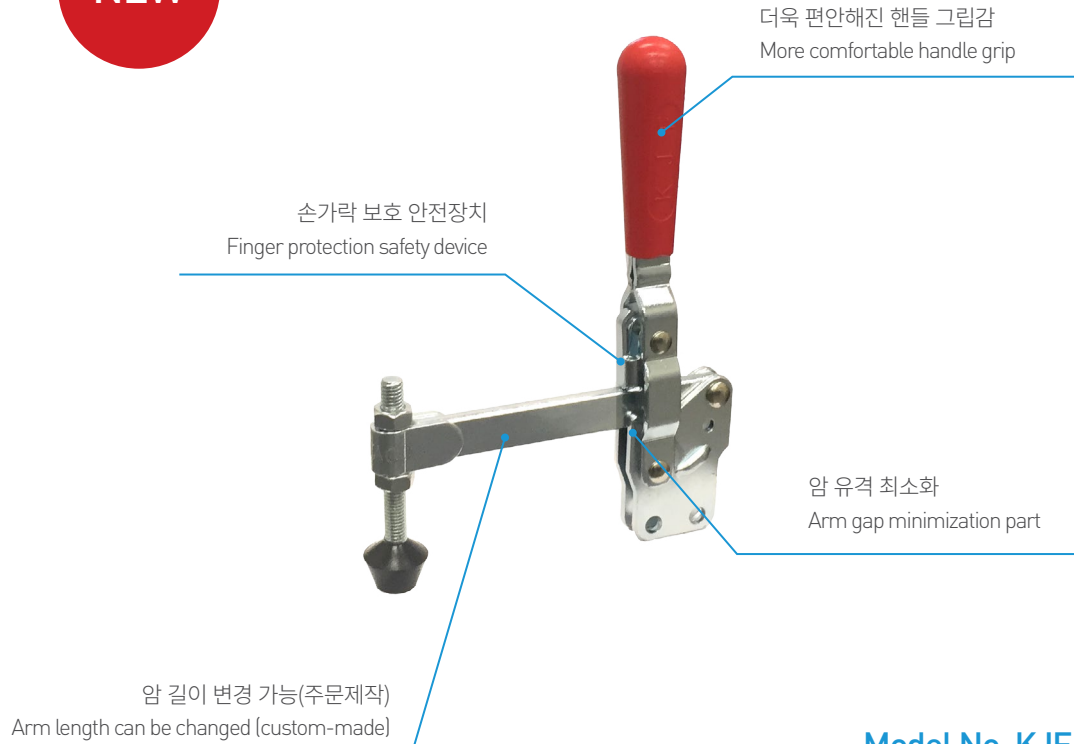
KJF is focused ceaselessly on improving product quality and efficiency. We will continue to exceed expectations on a solid foundation of your continued interest and support. Thank you.



검사치구 전용 제품

Exclusive product for inspection fixtures

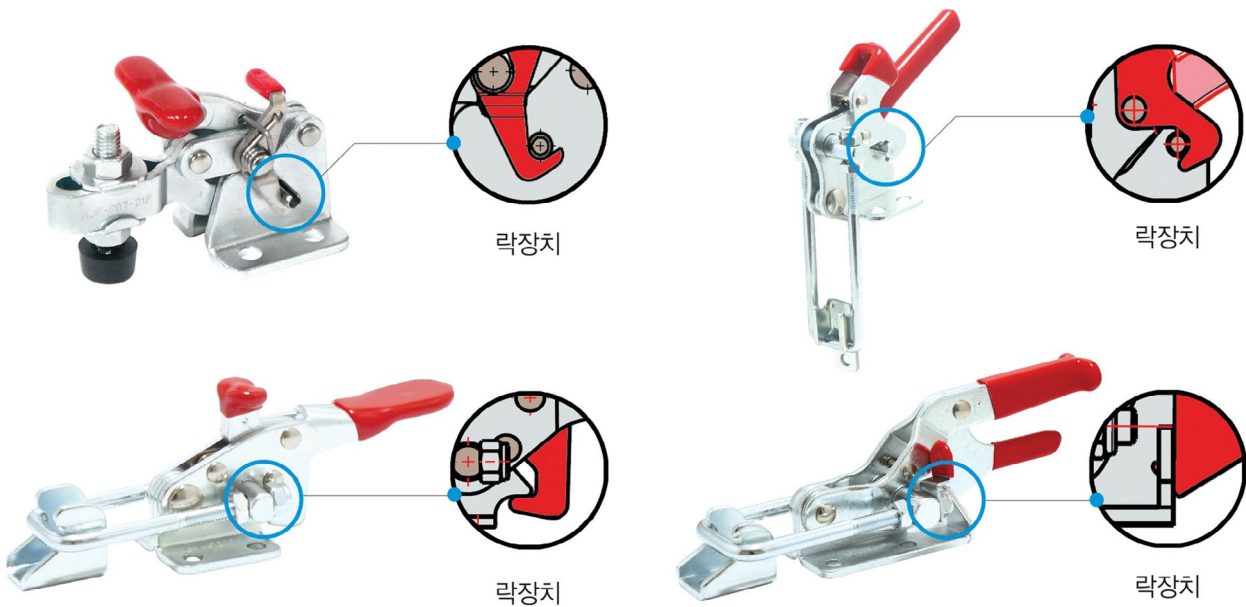
NEW



Model No. KJF-017-16S

> See Page 38

폴림방지 타입 8종



> See Page 19

**Compact Type**



> P9-10

**Stainless Steel**



> P11-18

**Lock Type**



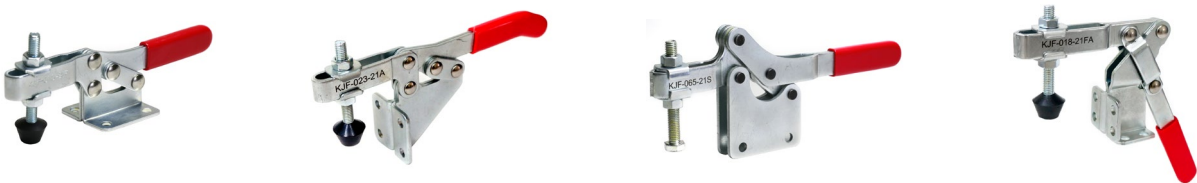
> P19-22

**Vertical Type**



> P23-40

**Horizontal Type**



> P41-56

**Push/Pull Type**



> P57-66

**Latch Type**



> P67-78

**Heavy Duty Weldable Type**



> P79-84

**Pneumatic Type**



> P85-94

**Spindle and Washer**

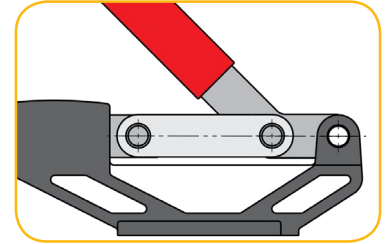
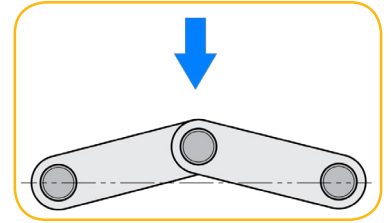


> P95

## Toggle Clamp Introduction

토글클램프는 링크와 핀이 이루는 사점에서 얻어지는 잠금(Locking) 기능을 이용한 제품으로, 일정한 두께의 공작물 가공시 원터치로 공작물을 고정할 수 있어서 매우 편리합니다. 토글클램프의 구조와 조작법은 간단하지만 큰 고정력을 얻을 수 있고, 사용상 편리하여 널리 사용되어지고 있습니다.

Toggle clamp is a product using locking function guaranteed at the dead point of a linkage system of links and pins. It is very convenient to fix workpiece with one-touch when machining constant thickness of the workpiece. Toggle clamp's structure and operating method are simple and it provides high clamping force. Toggle clamp is widely used due to its convenience.



### 토글 클램프 선정시 고려할 사항 Considerations when selecting the proper clamp

- |  |   |
|--|---|
| <p>1. 요구되는 고정력의 크기 선정<br/>Requested clamping force</p>   | <p>2. 설치 부착면의 크기와 형태<br/>Size and shape of installing surface</p> |
| <p>3. 설치 및 작업상의 핸들의 위치 및 간섭<br/>Position and interference of handles in installation and operation</p> | <p>4. 작업자의 사용 위치<br/>Operator's position</p>                      |
| <p>5. 작업의 빈도(일시적 혹은 장기 사용)<br/>A frequency of operation (Temporary or Long period)</p>                 |   |

### 용도 및 사용 예 Application Examples



#### 자동차

조립 지그, 부품가공지그, 검사구, 용접지그, 드릴지그, 밀링가공지그

#### Automobile

Assembly jig, Part machining jig, Inspection jig, Welding jig, Drill jig, Milling jig



#### 조선

부품가공지그  
**Shipbuilding**  
Part machining jig



#### 철도차량

용접지그, 가공지그  
**Railroad Car**  
Welding jig, Machining jig



#### 건설

용접지그, 욕조 몰딩용  
**Construction**  
Welding jig, Bath tube molding



#### 화학공업

부품  
**Chemical Industry**  
Component



#### 전자

글로브 박스  
**Electronic**  
Glove box



#### 고무

몰드 클램프용  
**Rubber**  
Mold clamping



#### 가구 가공용

**Furniture Manufacturing Processing**



#### 목공용

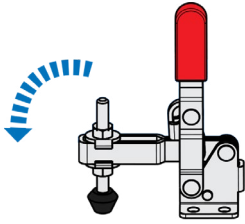
**Carpentry**



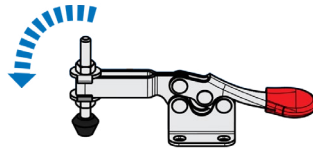
#### 신발 금형용

**Shoes Mold**

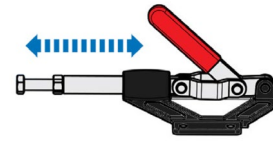
## Operating Direction



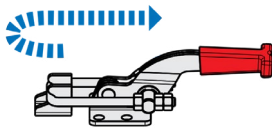
Vertical type



Horizontal type



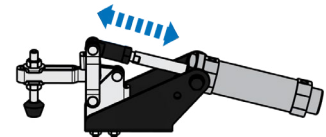
Push/Pull type



Latch type



Heavy Duty Weldable type



Pneumatic type

## Model Number

KJF -  -

ex) **KJF** - **018** - **1** **1** **F** **S**

1                      2   3   4   5

**1**

### Holding Capacity

ex) 005 = 50kg  
018 = 180kg  
120 = 1,200kg

**2**

### Toggle Clamp Types

1 = Vertical Type  
2 = Horizontal Type  
3 = Push / Pull Type  
4 = Latch Type  
\* Except for Heavy Duty Weldable Type and Pneumatic (Air) Type

**3**

### Arm(Rod, U-Bolt) and Base Vertical Type

Arm Type / Arm Length / Base Height  
1 = U-Arm / Short / Low  
2 = U-Arm / Long / Low (010-12□)  
U-Arm / Middle / Low (018-12□)  
3 = U-Arm / Middle / Low (010-13□)  
U-Arm / Long / Low (018-13□)  
5 = Solid Bar / Long / Low  
6 = Solid Bar / Long / Low  
7 = Solid Bar / Long / Low

### Horizontal Type

Arm Length / Base Height  
1 = Short / Low  
2 = Long / Low  
3 = Short / High  
4 = Long / High

### Push/Pull Type

Rod Stroke  
1 = Short  
2 = Long

### Latch Type

U-Bolt Length / Direction  
1 = Short / Horizontal  
2 = Long / Horizontal  
3 = Short / Vertical  
\* Except for Heavy Duty Weldable Type and Pneumatic (Air) Type

**4**

### Base Type

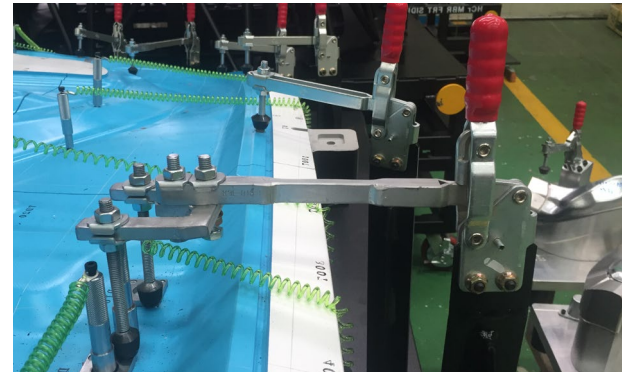
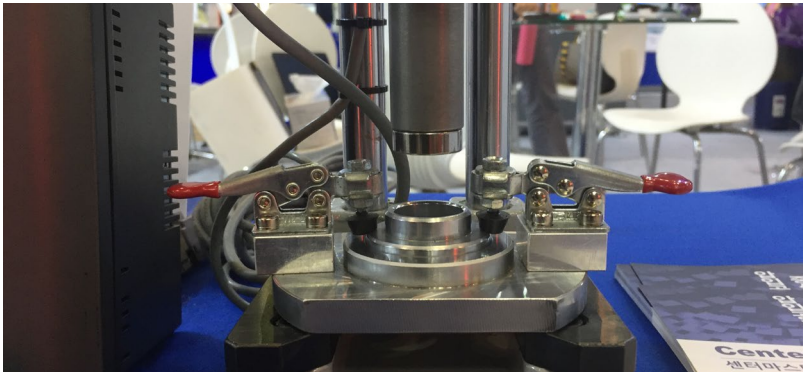
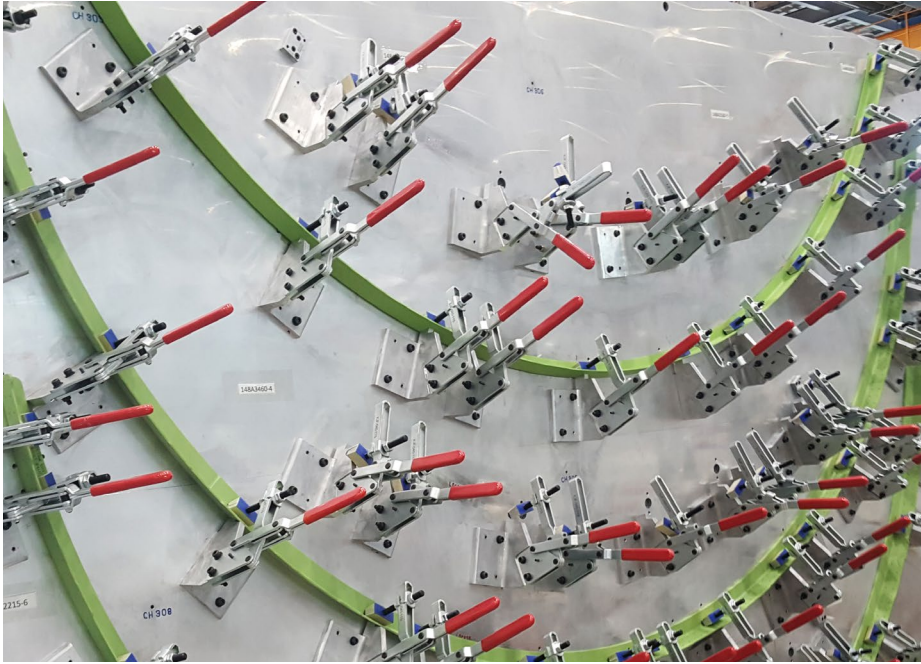
A = Angle Type  
F = Flange Type  
S = Straight Type

**5**

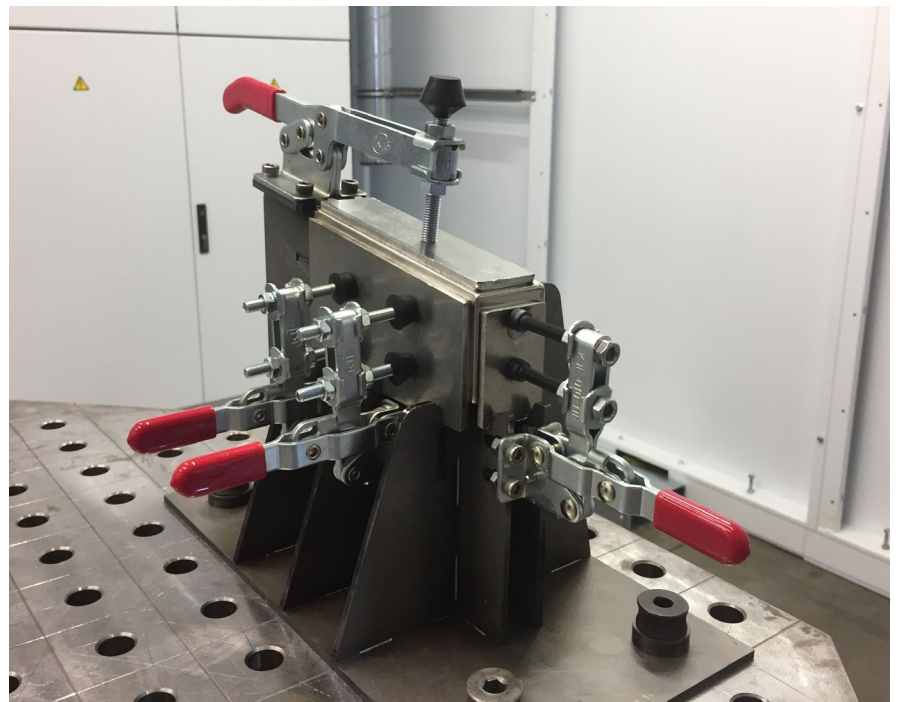
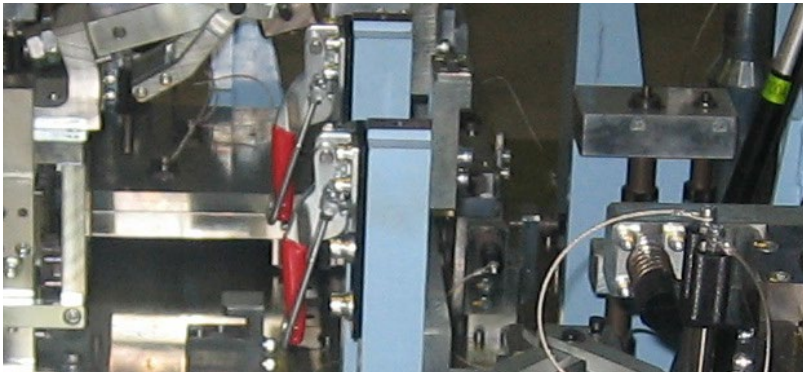
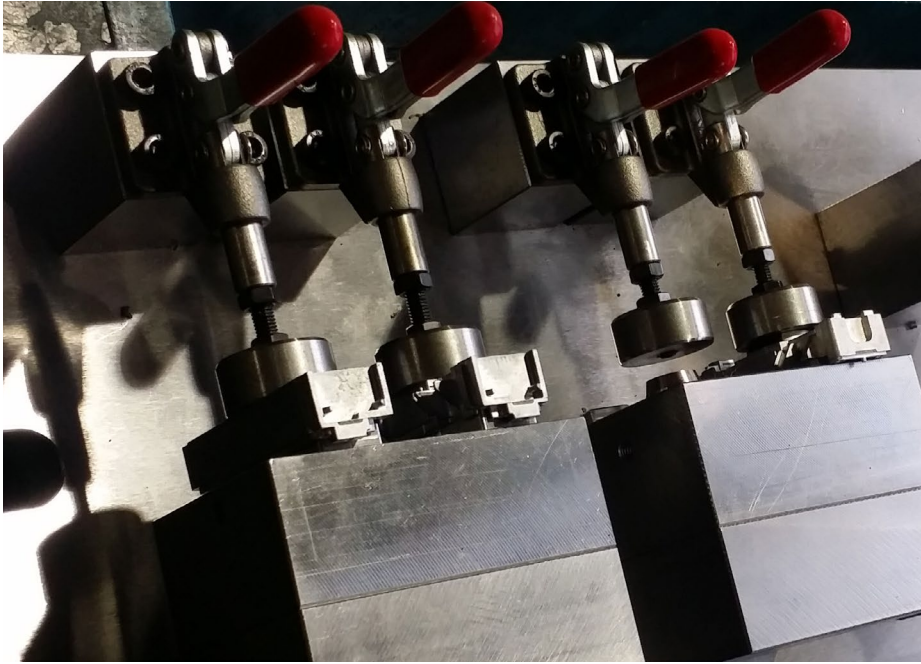
### Material, Handle Type

No sign or R = Steel  
S or SR = Stainless Steel  
\* Except for model no. 023-31FS, 040-31FS, 070-31FS  
SL = Stainless Steel with Locking Handle  
\* Latch Type  
A = Round Shape  
B = T-Shape

# Applications

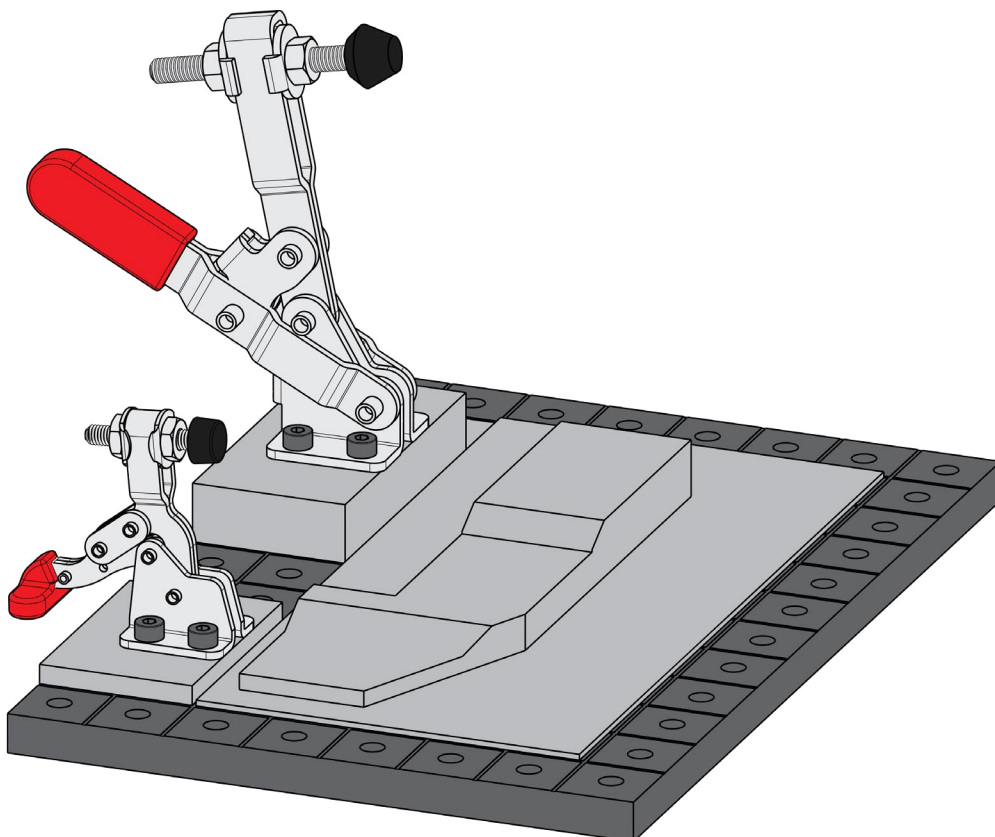
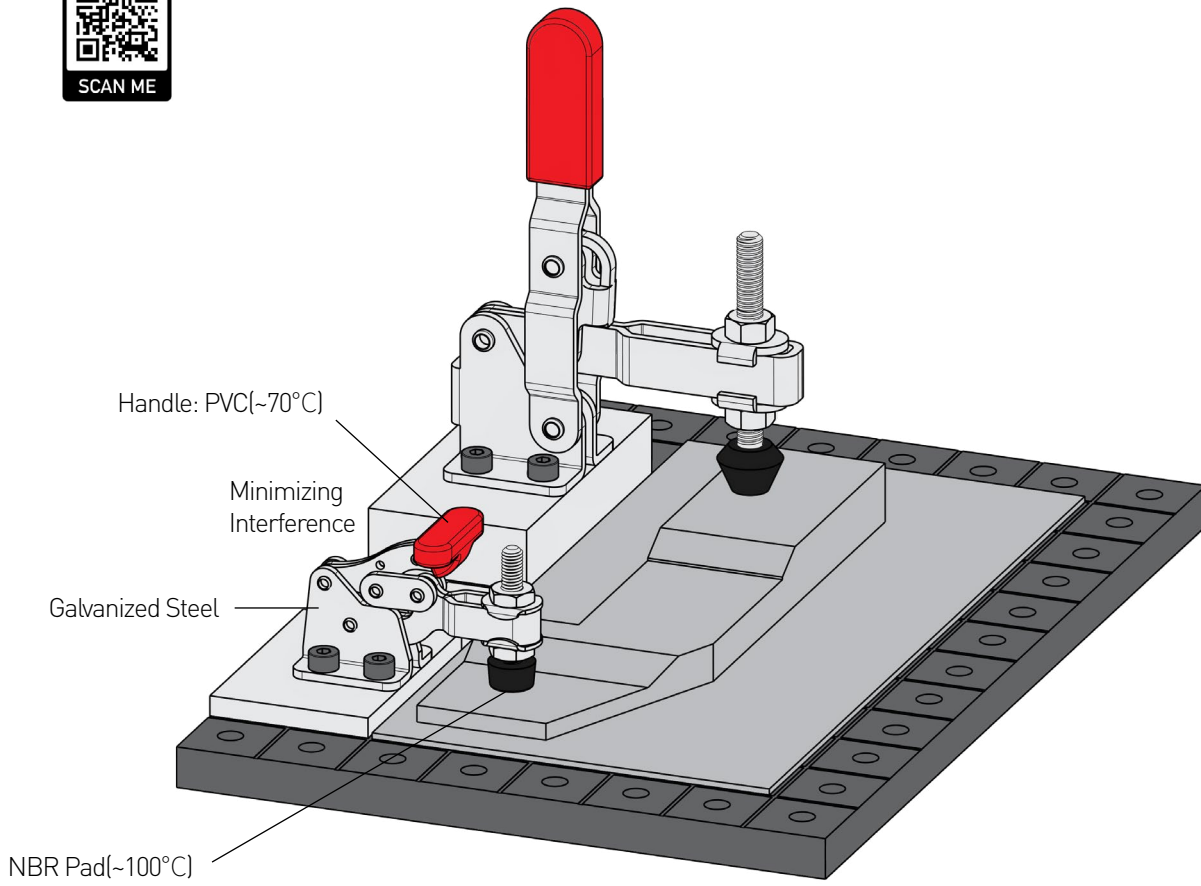


# Applications

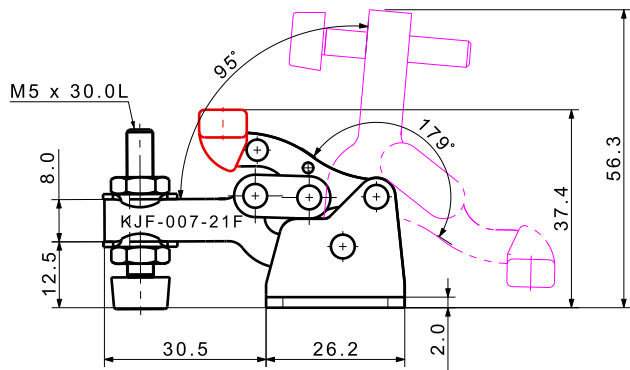
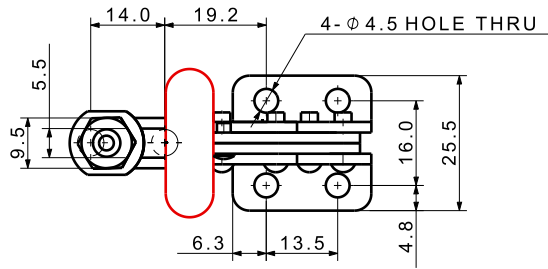




# Compact Type

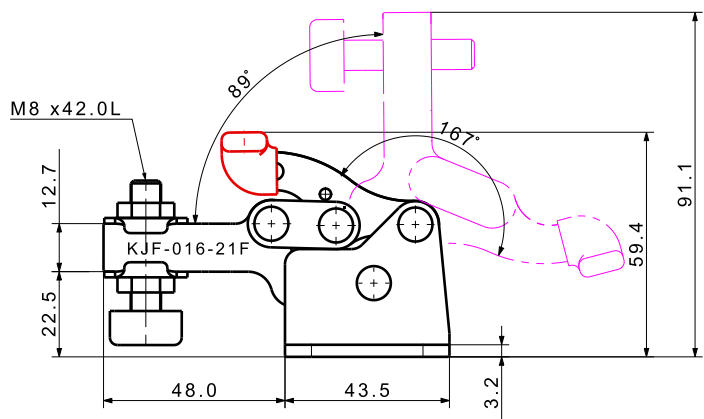
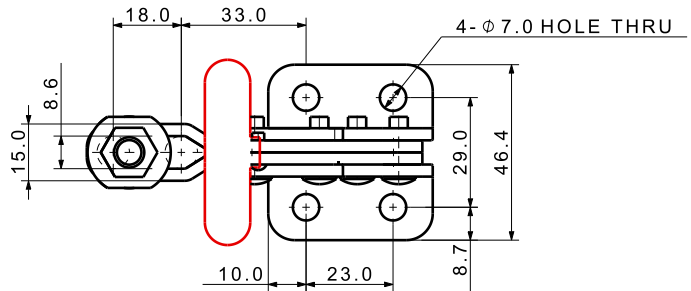


Model No. **KJF-007-21F**



Holding Capacity(kgf)	70	Spindle Adjust.(mm)	14
Weight(g)	57	Arm Type	U
Handle Move	179°	Arm Length	Short
Arm Move	95°	Base Type	Flange
Spindle Supplied	M5 x 30.0L	Base Height	Low

Model No. **KJF-016-21F**

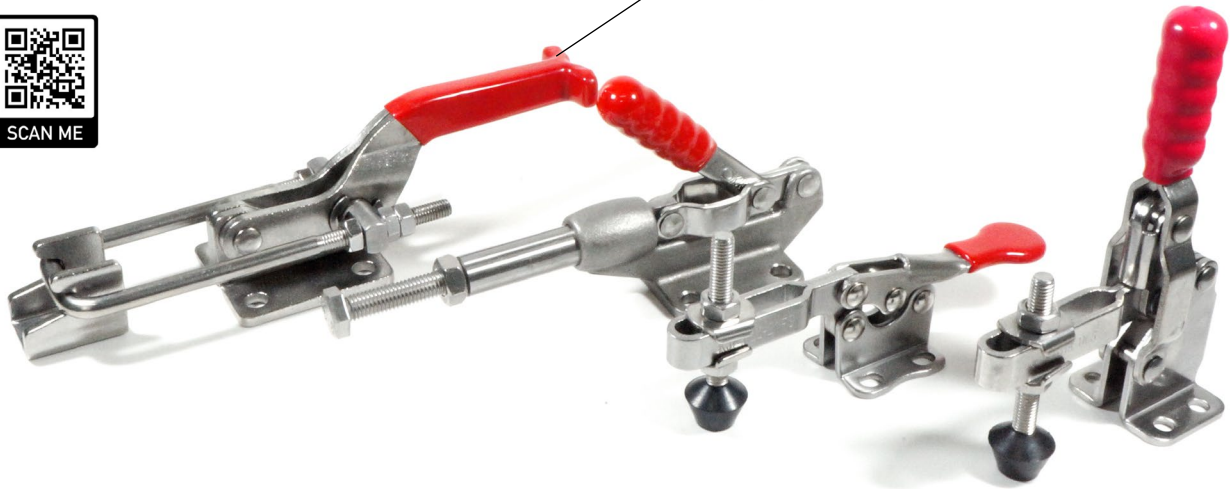


Holding Capacity(kgf)	160	Spindle Adjust.(mm)	18
Weight(g)	253	Arm Type	U
Handle Move	167°	Arm Length	Short
Arm Move	89°	Base Type	Flange
Spindle Supplied	M8 x 42.0L	Base Height	Low

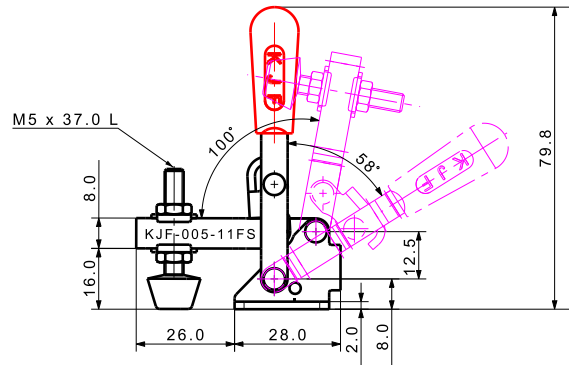
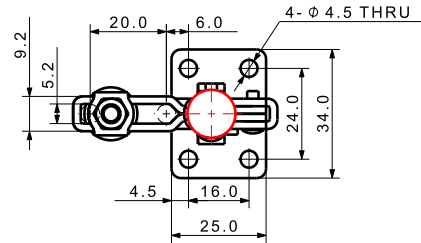
# Stainless Steel



Handle: PVC(~70°C)

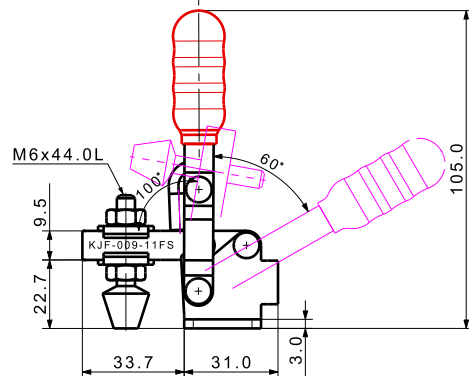
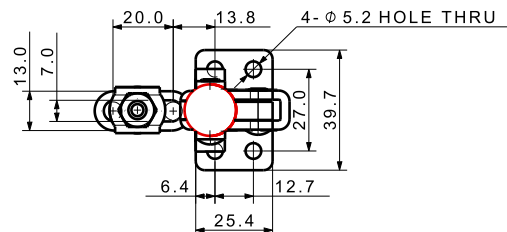


## Model No. KJF-005-11FS



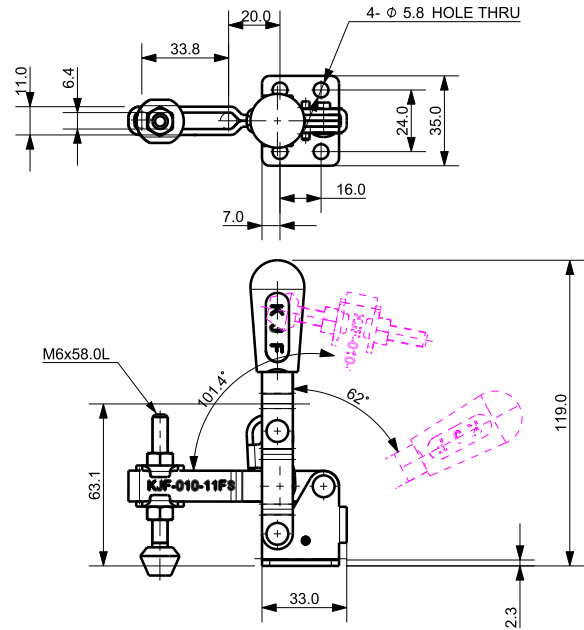
Holding Capacity(kg)	50	Spindle Adjust.(mm)	20
Weight(g)	63	Arm Type	U
Handle Move	58°	Arm Length	Short
Arm Move	100°	Base Type	Flange
Spindle Supplied	M5 x 36.0L	Base Height	Low

## Model No. KJF-009-11FS



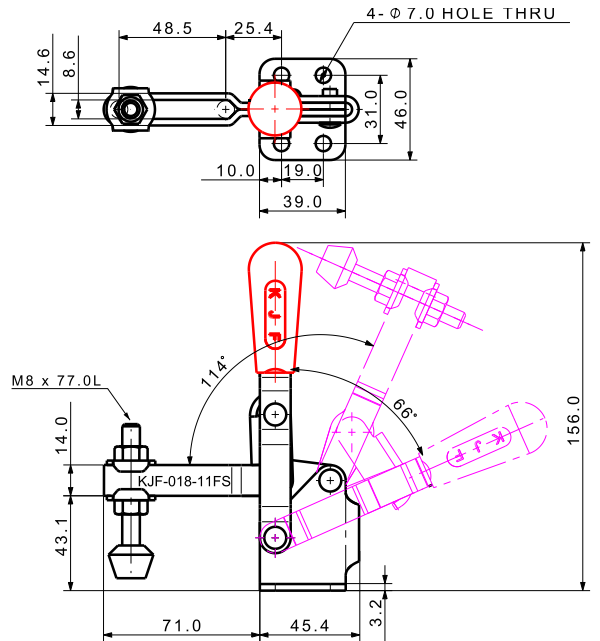
Holding Capacity(kg)	90	Spindle Adjust.(mm)	20
Weight(g)	157	Arm Type	U
Handle Move	60°	Arm Length	Short
Arm Move	100°	Base Type	Flange
Spindle Supplied	M6 x 44.0L	Base Height	Low

**Model No. KJF-010-11FS**



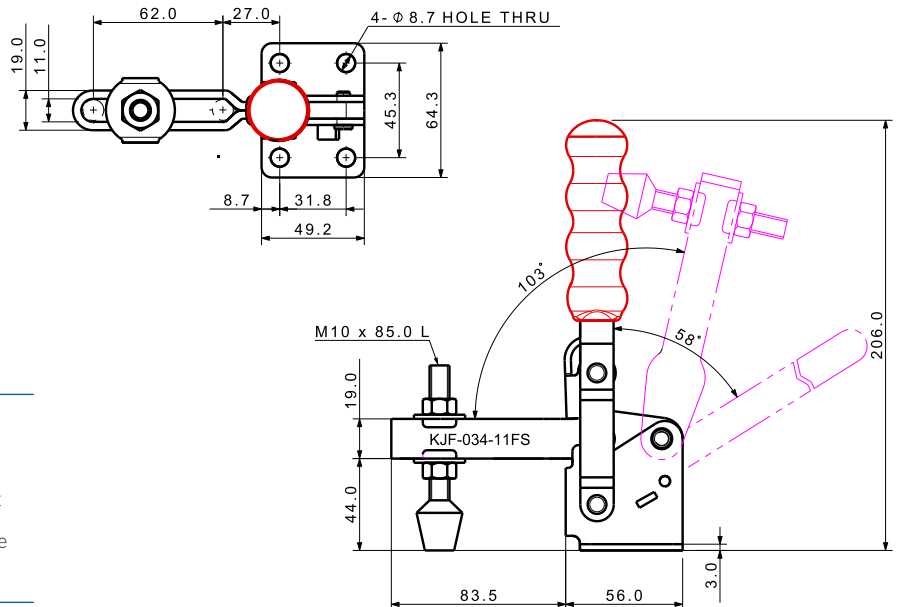
Holding Capacity(kgf)	100	Spindle Adjust.(mm)	34
Weight(g)	165	Arm Type	U
Handle Move	62°	Arm Length	Short
Arm Move	101°	Base Type	Flange
Spindle Supplied	M6 x 58.0L	Base Height	Low

**Model No. KJF-018-11FS**



Holding Capacity(kgf)	180	Spindle Adjust.(mm)	48
Weight(g)	376	Arm Type	U
Handle Move	66°	Arm Length	Short
Arm Move	114°	Base Type	Flange
Spindle Supplied	M8 x 77.0L	Base Height	Low

**Model No. KJF-034-11FS**

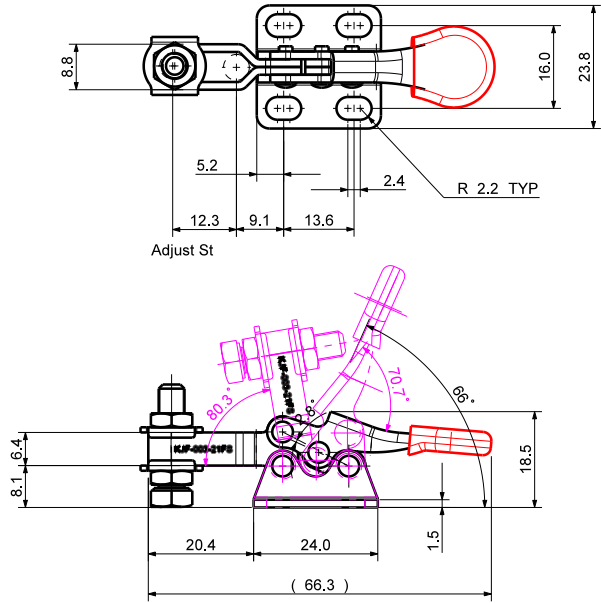


Holding Capacity(kgf)	340	Spindle Adjust.(mm)	62
Weight(g)	659	Arm Type	U
Handle Move	58°	Arm Length	Short
Arm Move	103°	Base Type	Flange
Spindle Supplied	M10 x 85.0L	Base Height	Low

Model No. KJF-003-21FS



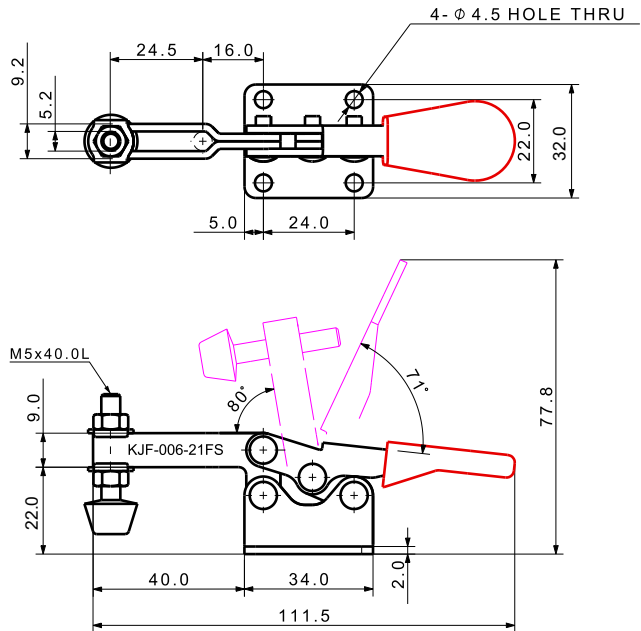
Holding Capacity(kgf)	30	Spindle Adjust.(mm)	12
Weight(g)	31	Arm Type	U
Handle Move	66°	Arm Length	Short
Arm Move	80.3°	Base Type	Flange
Spindle Supplied	M5 x 23.0L	Base Height	Low



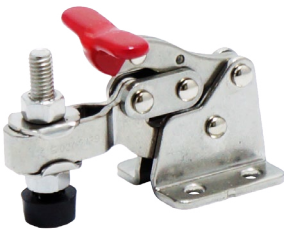
Model No. KJF-006-21FS



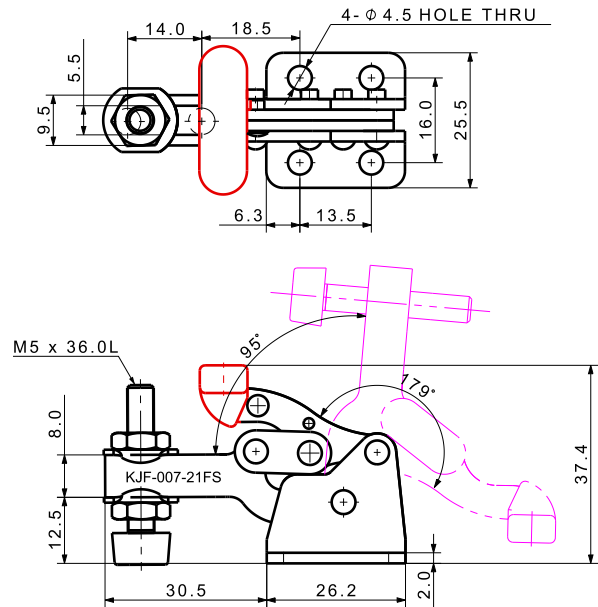
Holding Capacity(kgf)	60	Spindle Adjust.(mm)	25
Weight(g)	84	Arm Type	U
Handle Move	71°	Arm Length	Short
Arm Move	80°	Base Type	Flange
Spindle Supplied	M5 x 40.0L	Base Height	Low



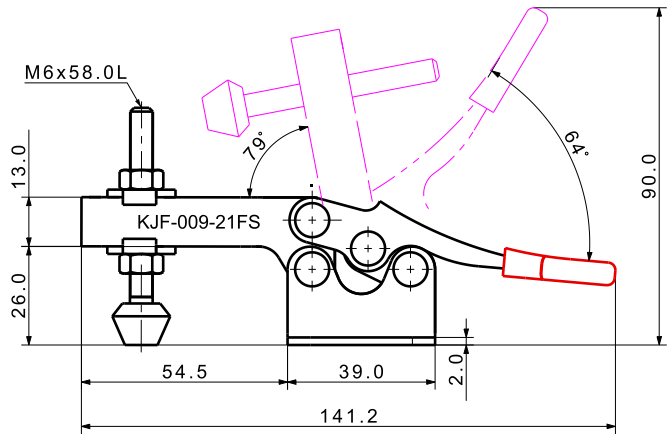
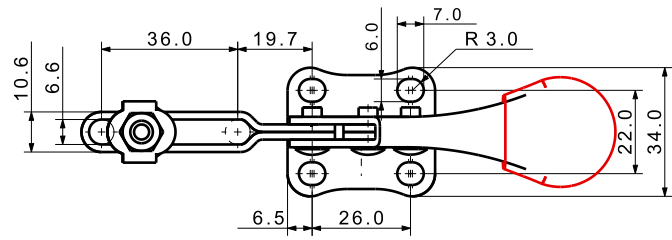
Model No. KJF-007-21FS



Holding Capacity(kgf)	70	Spindle Adjust.(mm)	14
Weight(g)	56	Arm Type	U
Handle Move	179°	Arm Length	Short
Arm Move	95°	Base Type	Flange
Spindle Supplied	M5 x 36.0L	Base Height	Low

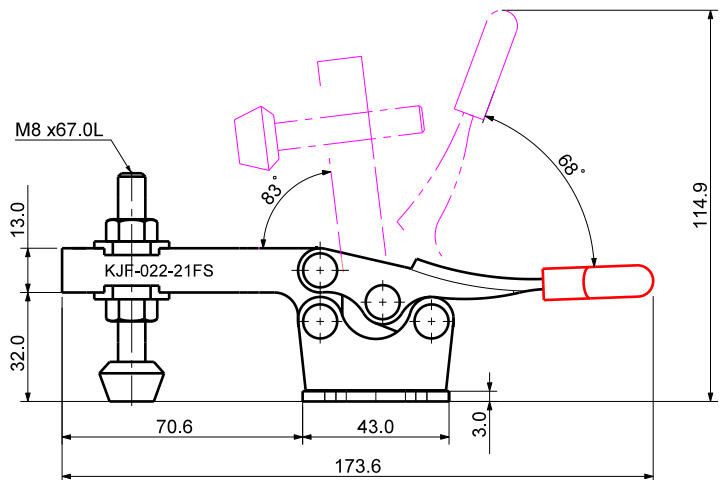
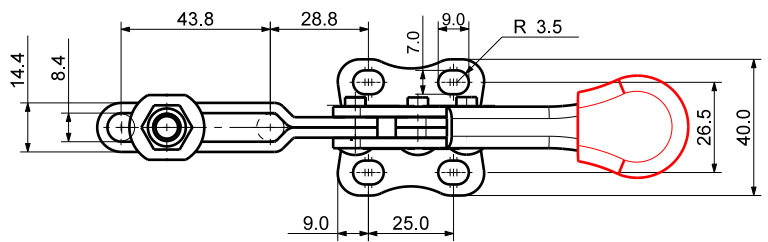


Model No. KJF-009-21FS



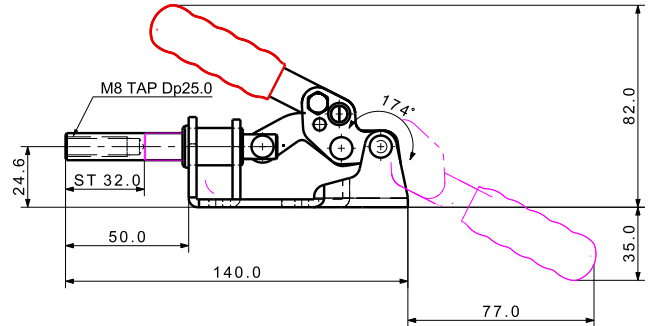
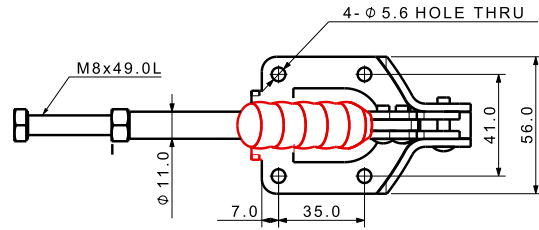
Holding Capacity(kgf)	90	Spindle Adjust.(mm)	36
Weight(g)	126	Arm Type	U
Handle Move	64°	Arm Length	Short
Arm Move	79°	Base Type	Flange
Spindle Supplied	M6 x 58.0L	Base Height	Low

Model No. KJF-022-21FS



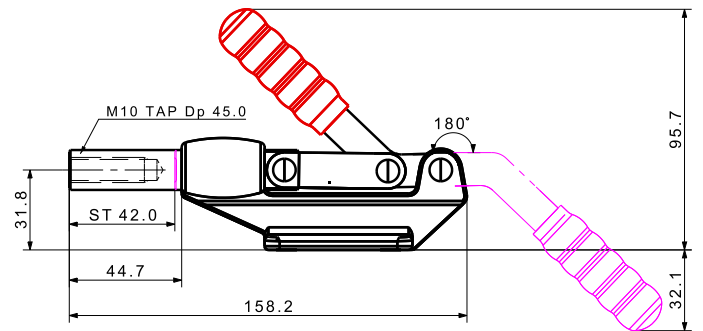
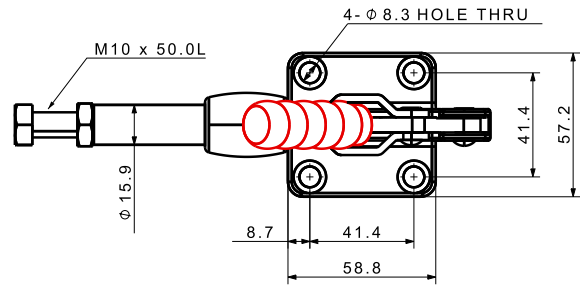
Holding Capacity(kgf)	220	Spindle Adjust.(mm)	44
Weight(g)	250	Arm Type	U
Handle Move	68°	Arm Length	Short
Arm Move	83°	Base Type	Flange
Spindle Supplied	M8 x 67.0L	Base Height	Low

### Model No. KJF-014-31FSR



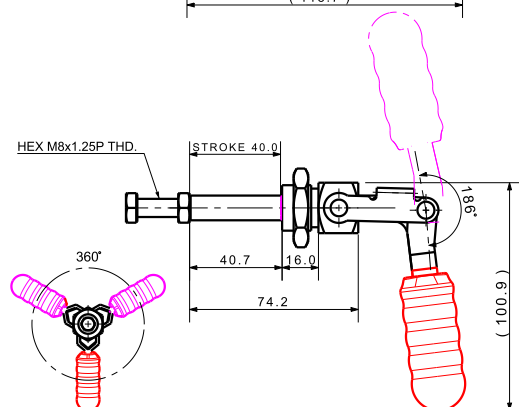
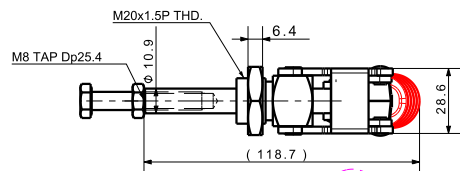
Holding Capacity(kgf)	140	Spindle Supplied	M8 x 49.0L
Weight(g)	303	Rod Stroke(mm)	32
Handle Move	174°	Base Type	Flange

### Model No. KJF-040-31FSR



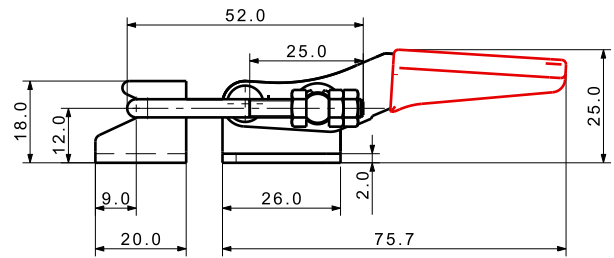
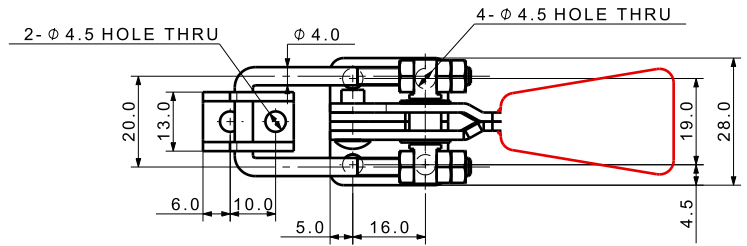
Holding Capacity(kgf)	400	Spindle Supplied	M10 x 50.0L
Weight(g)	600	Rod Stroke(mm)	42
Handle Move	180°	Base Type	Flange

### Model No. KJF-015-31FS



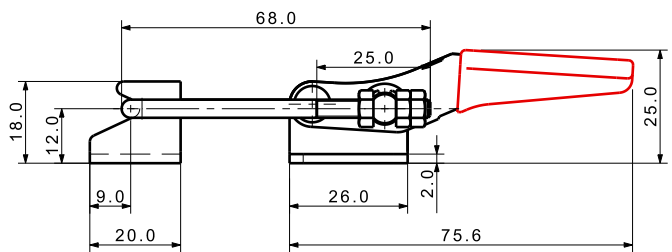
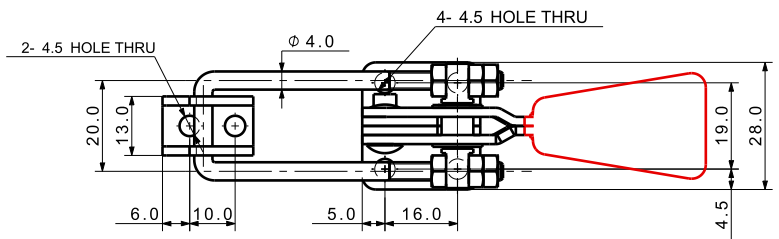
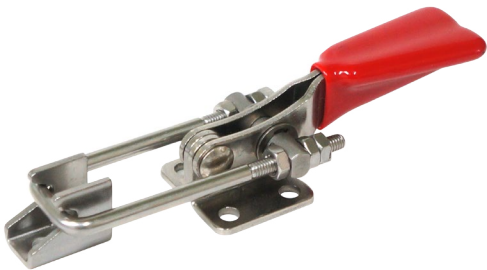
Holding Capacity(kgf)	150	Spindle Supplied	M8 x 50L
Weight(g)	281	Rod Stroke(mm)	40
Handle Move	186°	Base Type	Threaded

Model No. **KJF-016-41FS**



Holding Capacity(kgf)	160	U-bolt Adjust.(mm)	10
Weight(g)	78	Base Type	Flange

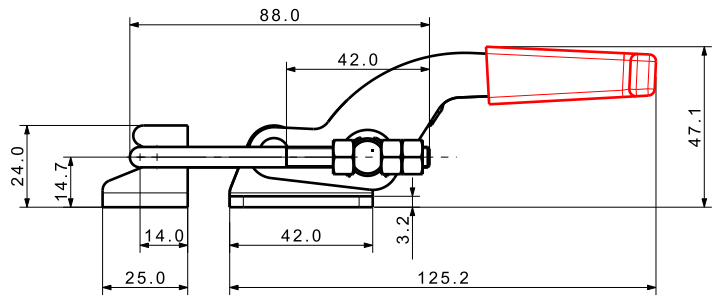
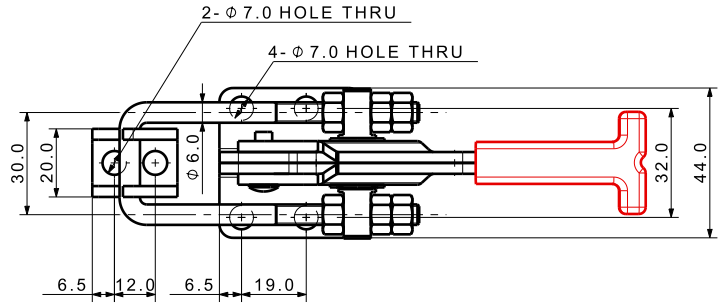
Model No. **KJF-016-42FS**



Holding Capacity(kgf)	160	U-bolt Adjust.(mm)	10
Weight(g)	82	Base Type	Flange

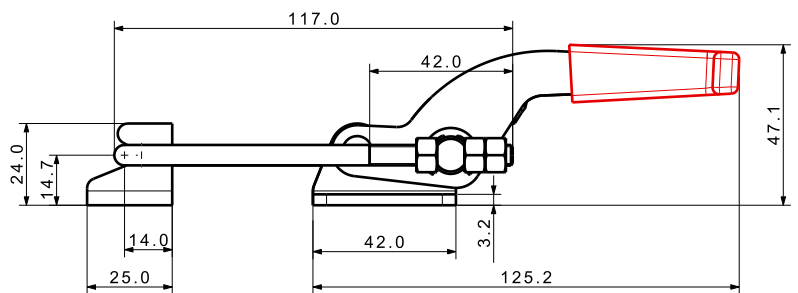
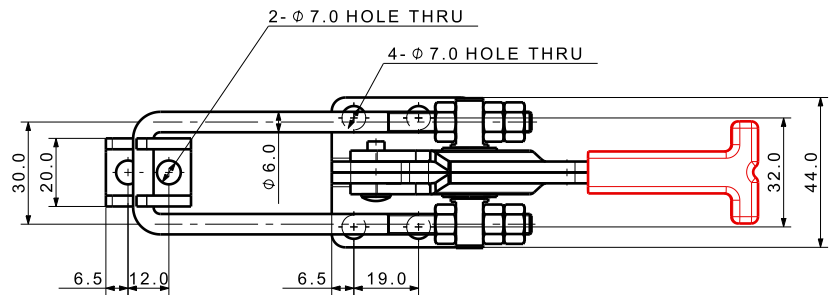


Model No. KJF-032-41FS



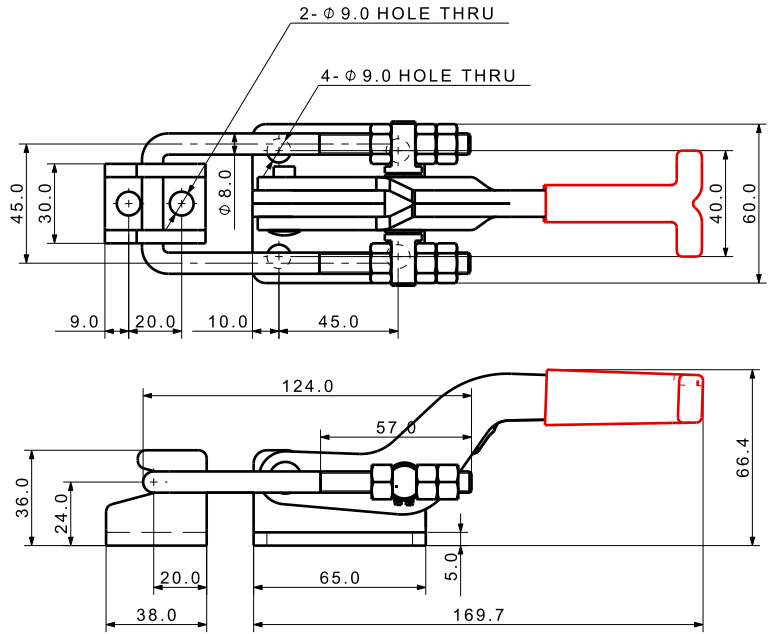
Holding Capacity(kgf)	320	U-bolt Adjust.(mm)	20
Weight(g)	245	Base Type	Flange

Model No. KJF-032-42FS



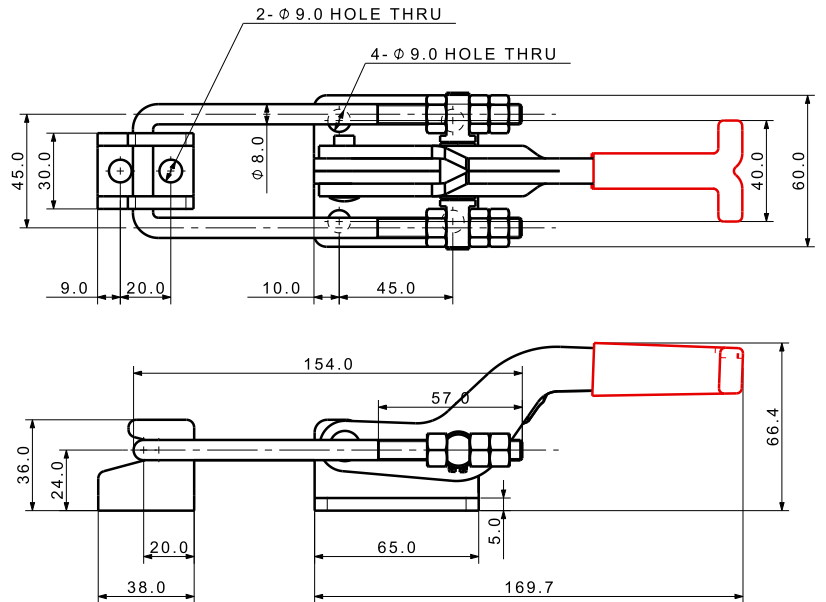
Holding Capacity(kgf)	320	U-bolt Adjust.(mm)	20
Weight(g)	260	Base Type	Flange

Model No. KJF-070-41FS



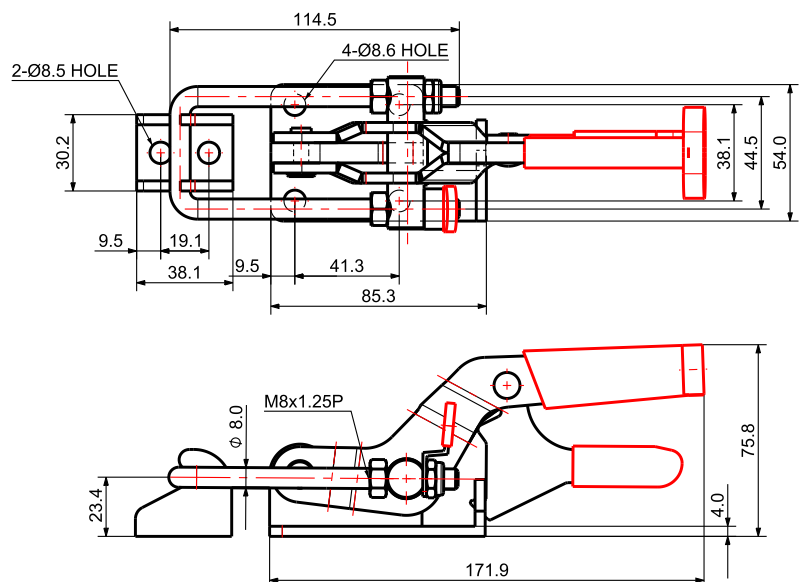
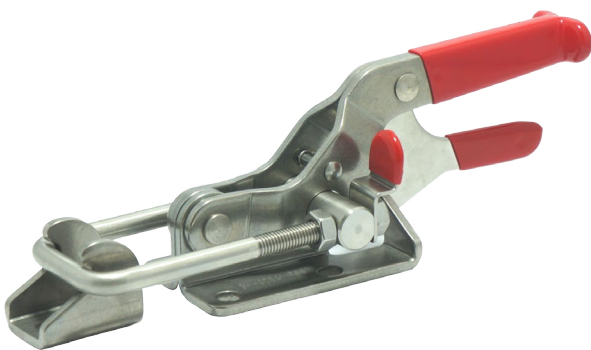
Holding Capacity(kgf)	700	U-bolt Adjust.(mm)	30
Weight(g)	771	Base Type	Flange

Model No. KJF-070-42FS



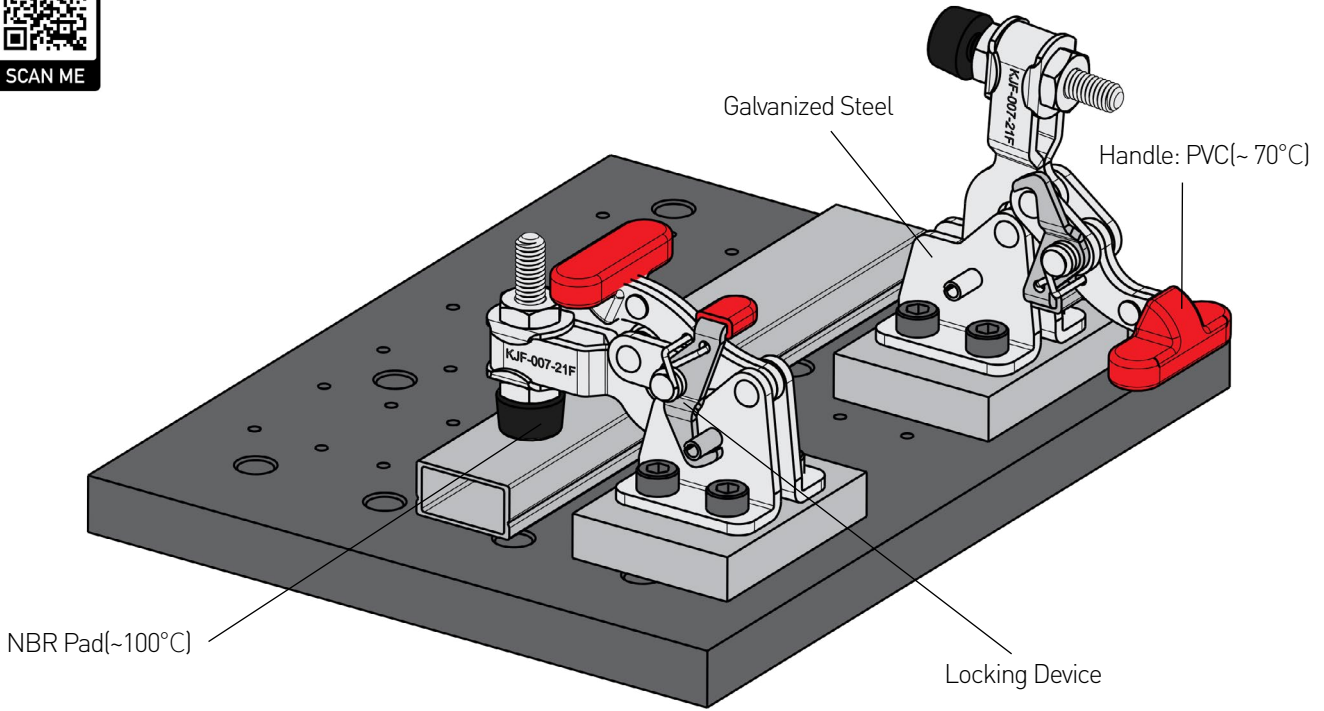
Holding Capacity(kgf)	700	U-bolt Adjust.(mm)	30
Weight(g)	793	Base Type	Flange

Model No. KJF-090-41FSL

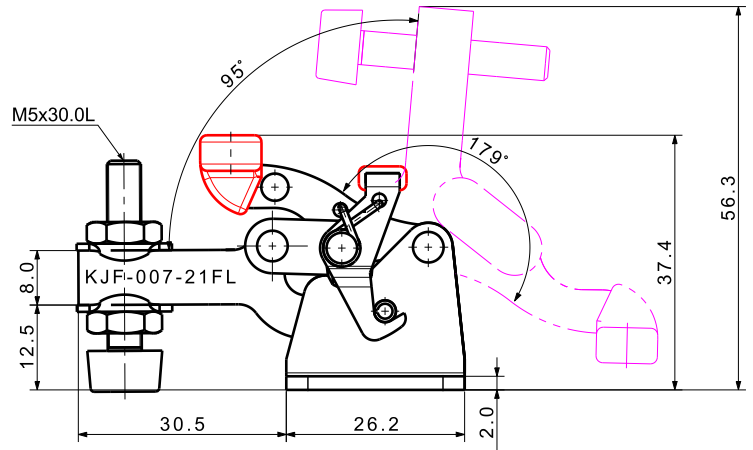
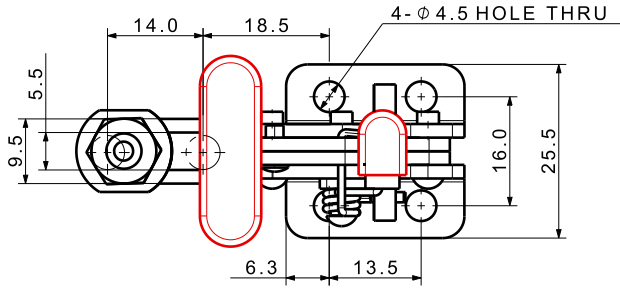


Holding Capacity(kgf)	900	U-bolt Adjust.(mm)	8.5
Weight(g)	750	Base Type	Flange

# Lock Type

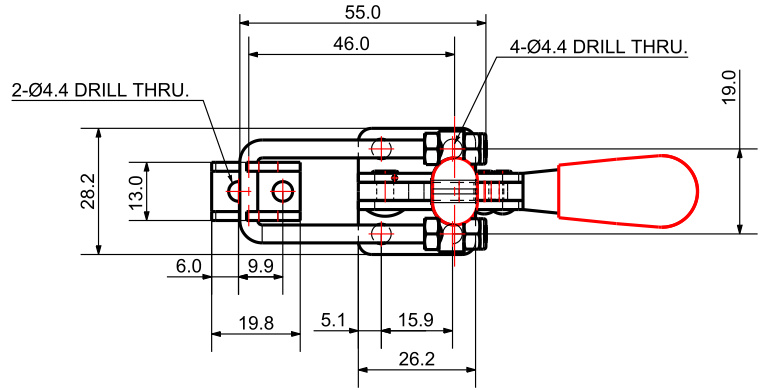
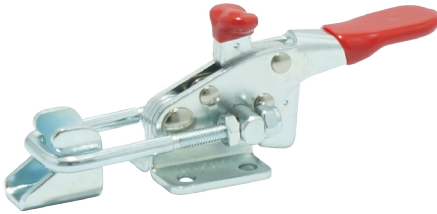


Model No. **KJF-007-21FL**

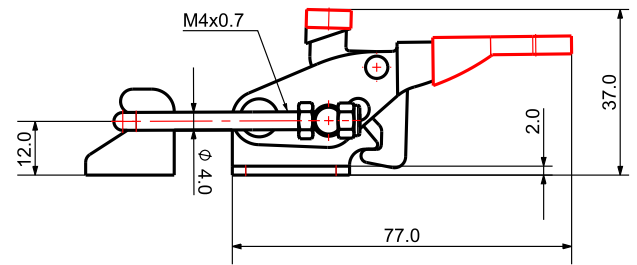


Holding Capacity(kgf)	70	Spindle Adjust.(mm)	14
Weight(g)	60	Arm Type	U
Handle Move	179°	Arm Length	Short
Arm Move	95°	Base Type	Flange
Spindle Supplied	M5 x 30.0L	Base Height	Low

Model No. **KJF-016-41FL**

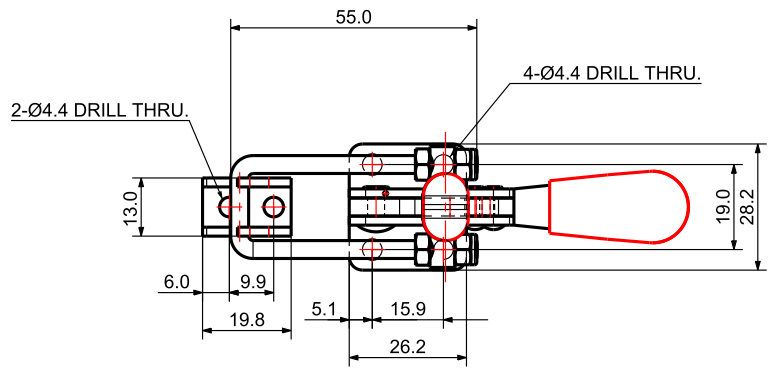
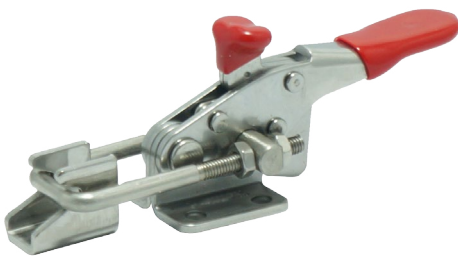


Holding Capacity(kgf)	160	U-bolt Adjust.(mm)	10
Weight(g)	90	Base Type	Flange

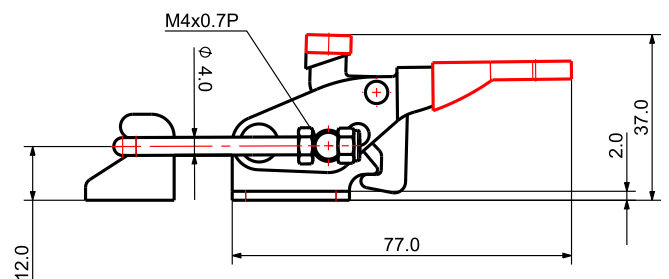


Model No. **KJF-016-41FSL**

\* Material : Stainless Steel

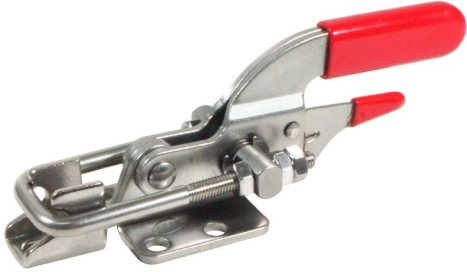


Holding Capacity(kgf)	160	U-bolt Adjust.(mm)	10
Weight(g)	90	Base Type	Flange



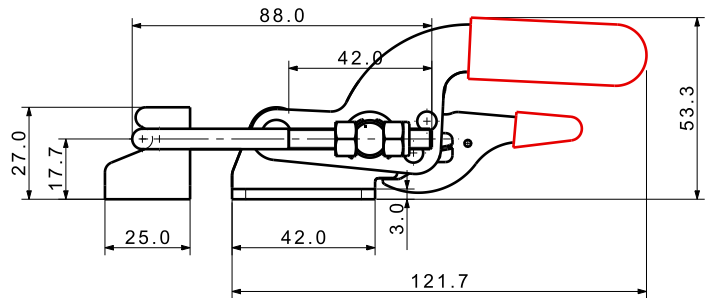
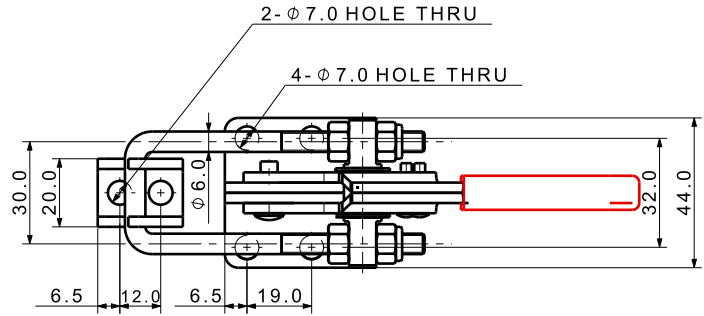
Model No. **KJF-032-41FSL**

\* Material : Stainless Steel



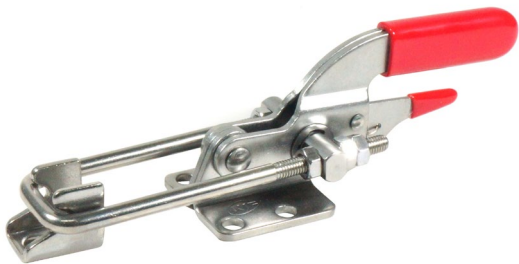
\* 떨림 /진동에 대한 풀림 방지용임.  
\* To prevent loosening against tremor/vibration.

Holding Capacity(kgf)	320	U-bolt Adjust.(mm)	20
Weight(g)	298	Base Type	Flange



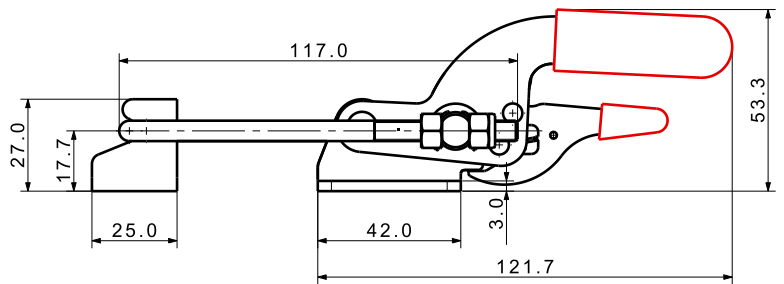
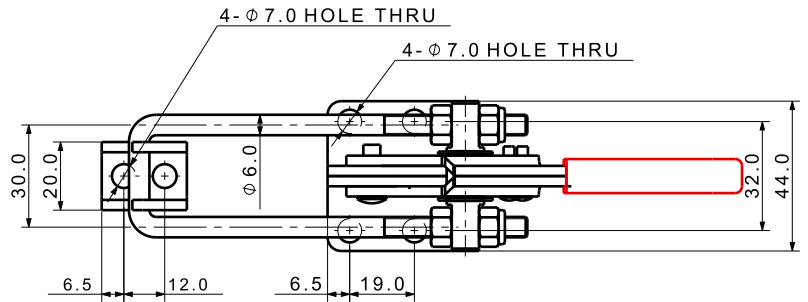
Model No. **KJF-032-42FSL**

\* Material : Stainless Steel



\* 떨림 /진동에 대한 풀림 방지용임.  
\* To prevent loosening against tremor/vibration.

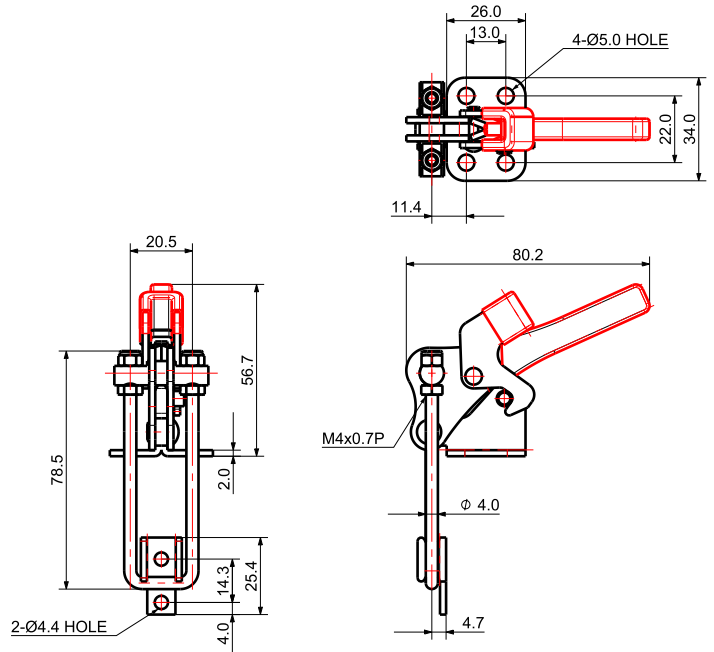
Holding Capacity(kgf)	320	U-bolt Adjust.(mm)	20
Weight(g)	300	Base Type	Flange



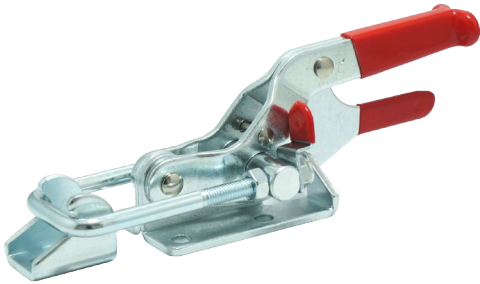
Model No. **KJF-023-43FL**



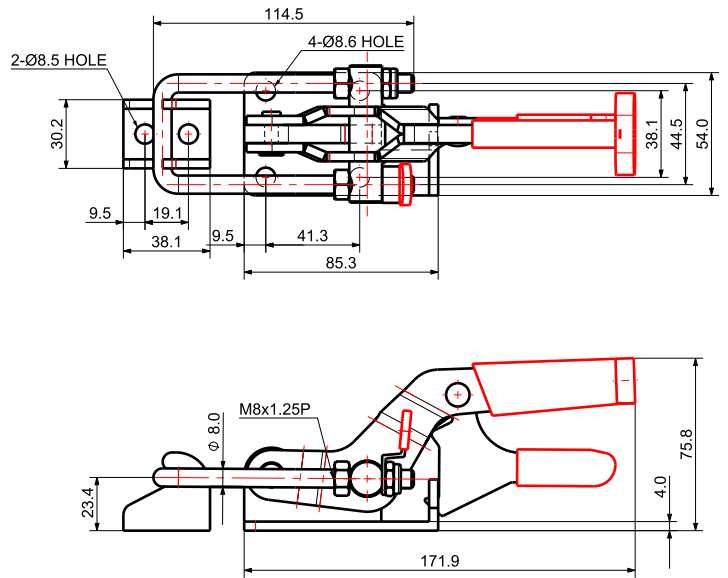
Holding Capacity(kgf)	230	U-bolt Adjust.(mm)	8
Weight(g)	120	Base Type	Flange



Model No. **KJF-090-41FL**

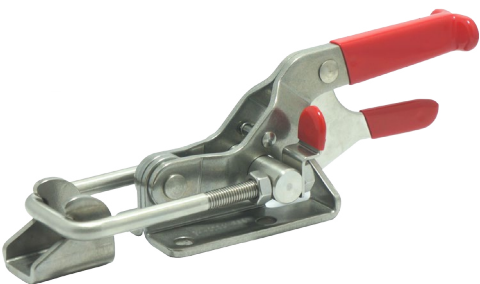


Holding Capacity(kgf)	900	U-bolt Adjust.(mm)	8.5
Weight(g)	750	Base Type	Flange

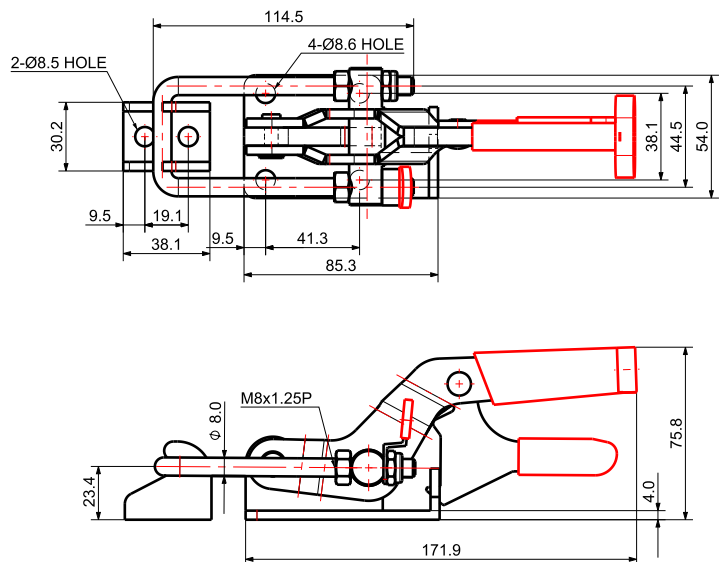


Model No. **KJF-090-41FSL**

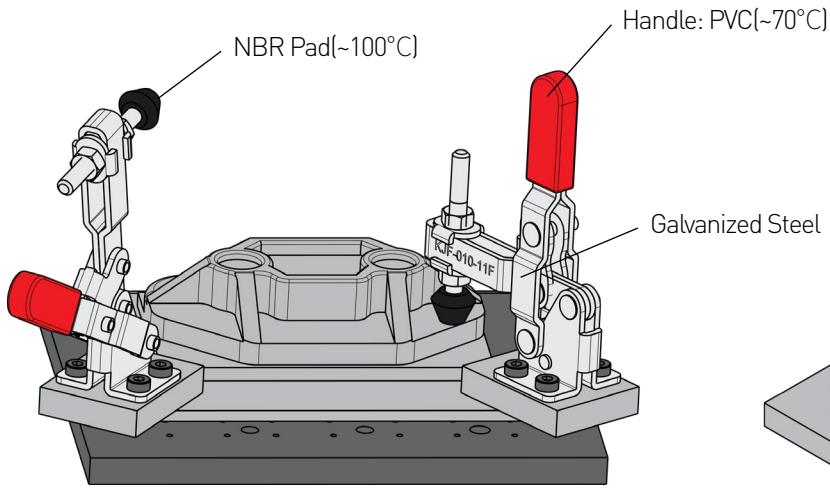
\* Material : Stainless Steel



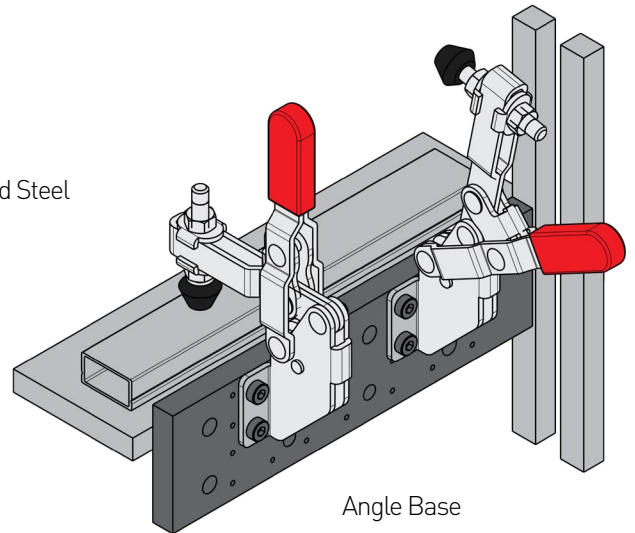
Holding Capacity(kgf)	900	U-bolt Adjust.(mm)	8.5
Weight(g)	750	Base Type	Flange



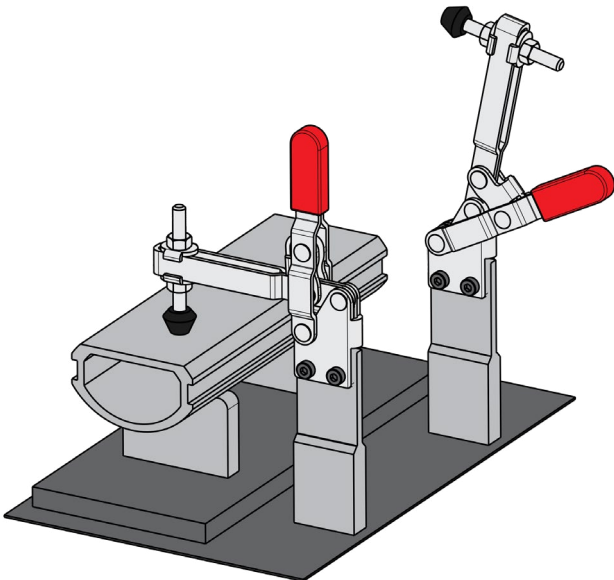
# Vertical Type



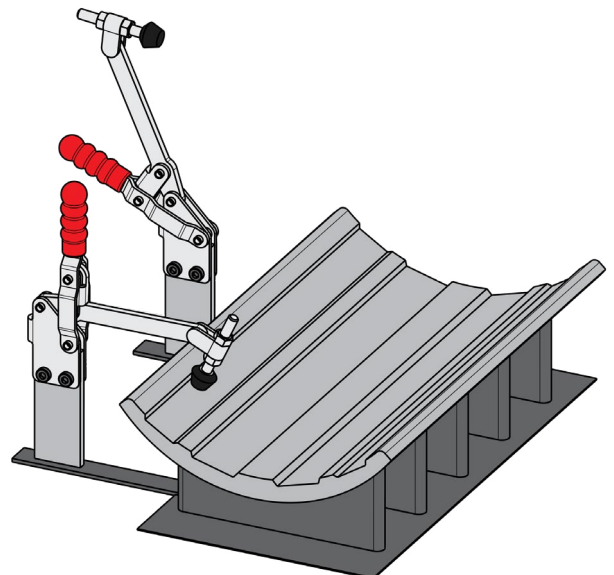
Flange Base



Angle Base



Straight Base

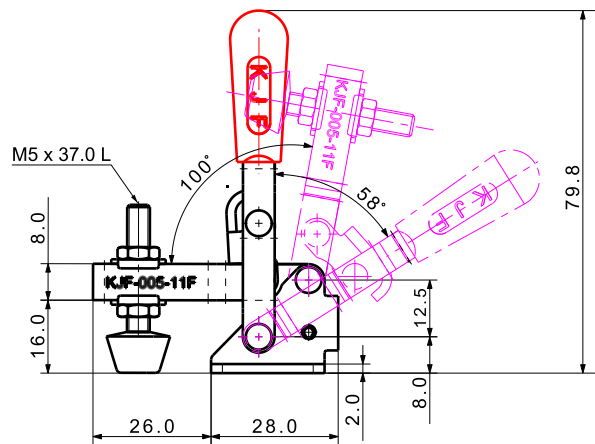
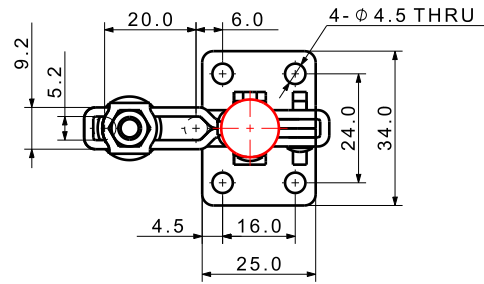


Straight Base with Solid Bar

Model No.  
**KJF-005-11F**

Model No.  
**KJF-005-11FS**

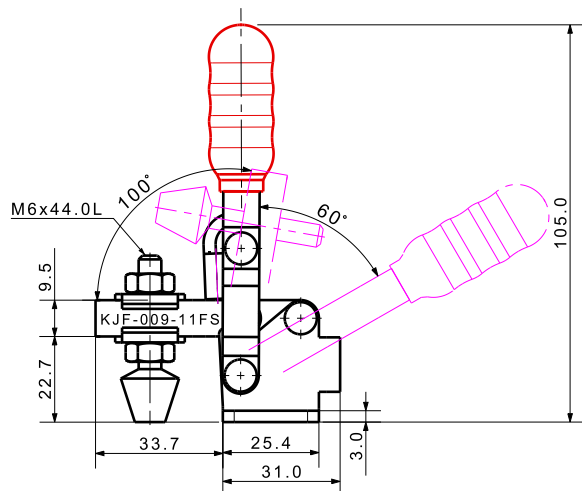
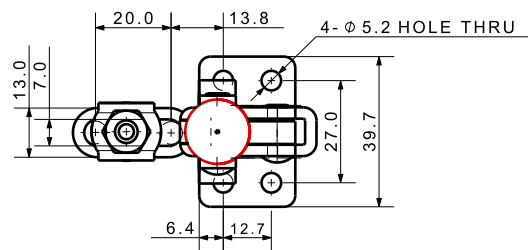
\* Material : Stainless Steel



Holding Capacity(kgf)	50	Spindle Adjust.(mm)	20
Weight(g)	66	Arm Type	U
Handle Move	58°	Arm Length	Short
Arm Move	100°	Base Type	Flange
Spindle Supplied	M5 x 40.0L	Base Height	Low

Model No. **KJF-009-11FS**

\* Material : Stainless Steel



Holding Capacity(kgf)	90	Spindle Adjust.(mm)	20
Weight(g)	157	Arm Type	U
Handle Move	60°	Arm Length	Short
Arm Move	100°	Base Type	Flange
Spindle Supplied	M6 x 44.0L	Base Height	Low



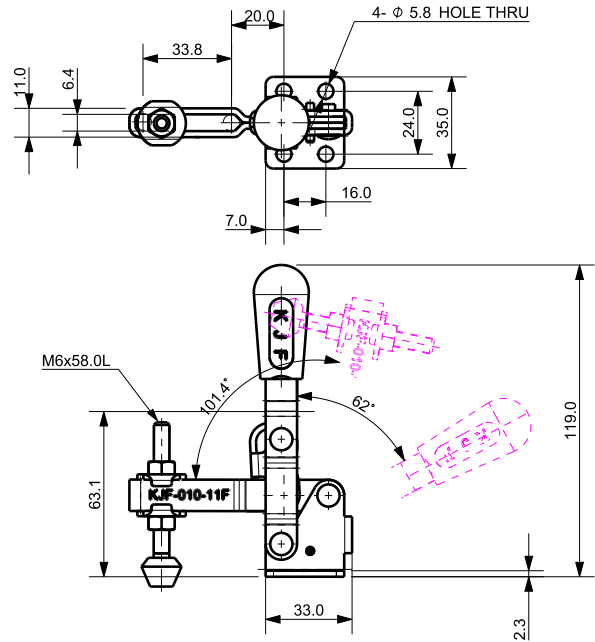
Model No.  
**KJF-010-11F**

Model No.  
**KJF-010-11FS**

\* Material : Stainless Steel



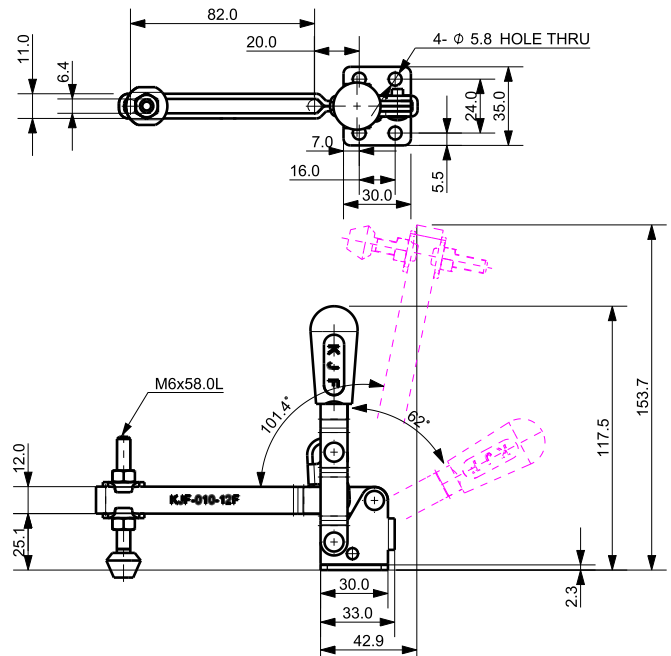
Holding Capacity(kgf)	100	Spindle Adjust.(mm)	34
Weight(g)	165	Arm Type	U
Handle Move	62°	Arm Length	Short
Arm Move	101°	Base Type	Flange
Spindle Supplied	M6 x 58.0L	Base Height	Low



Model No. **KJF-010-12F**



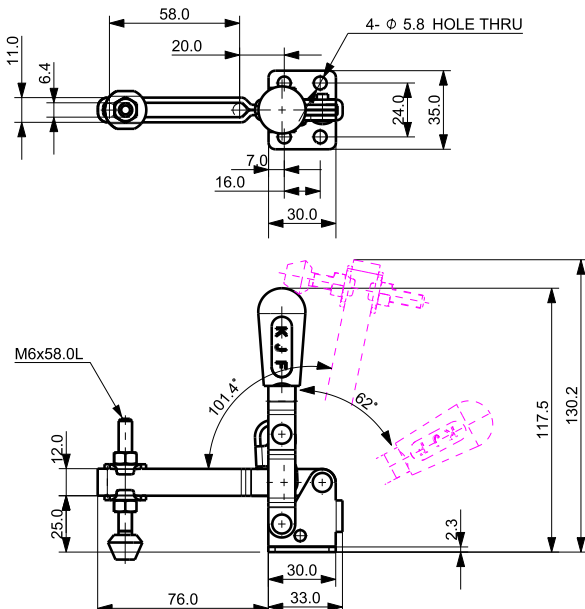
Holding Capacity(kgf)	100	Spindle Adjust.(mm)	82
Weight(g)	185	Arm Type	U
Handle Move	62°	Arm Length	Long
Arm Move	101°	Base Type	Flange
Spindle Supplied	M6 x 58.0L	Base Height	Low



Model No. **KJF-010-13F**



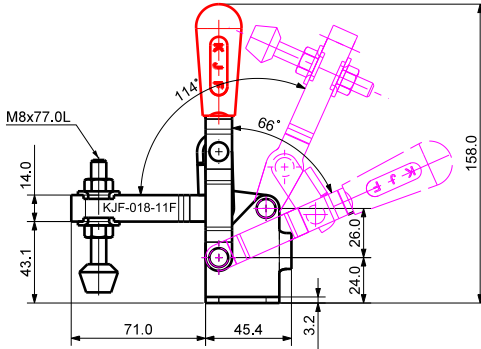
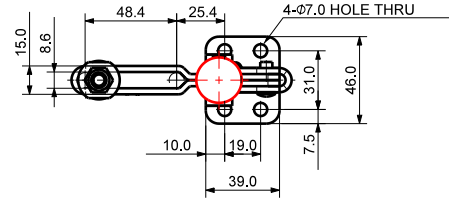
Holding Capacity(kgf)	100	Spindle Adjust.(mm)	58
Weight(g)	175	Arm Type	U
Handle Move	62°	Arm Length	Middle
Arm Move	101°	Base Type	Flange
Spindle Supplied	M6 x 58.0L	Base Height	Low



Model No.  
**KJF-018-11F**

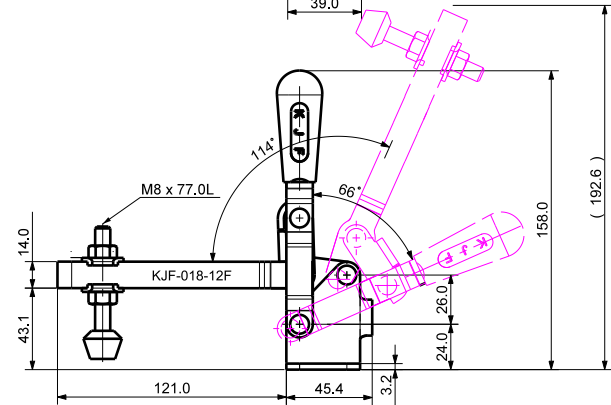
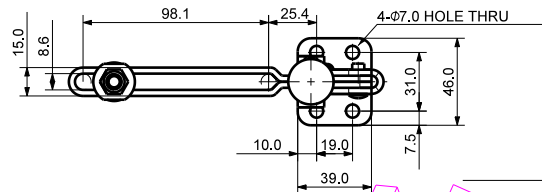
Model No.  
**KJF-018-11FS**

\* Material : Stainless Steel



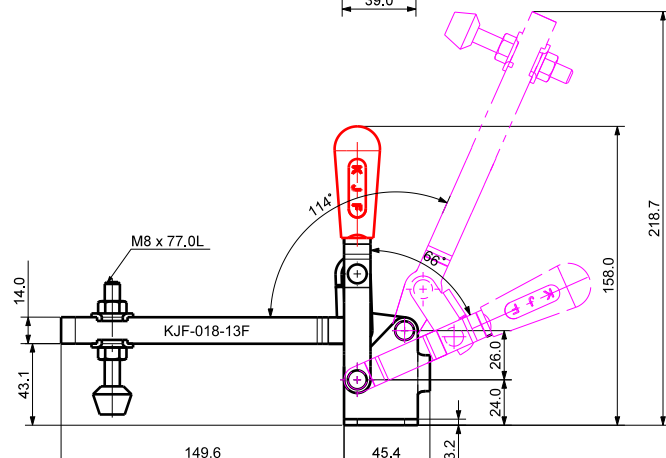
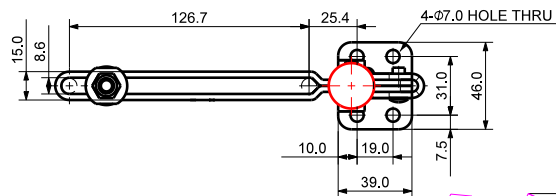
Holding Capacity(kg)	180	Spindle Adjust.(mm)	48
Weight(g)	400	Arm Type	U
Handle Move	66°	Arm Length	Short
Arm Move	114°	Base Type	Flange
Spindle Supplied	M8 x 77.0L	Base Height	Low

Model No. **KJF-018-12F**



Holding Capacity(kg)	180	Spindle Adjust.(mm)	98
Weight(g)	431	Arm Type	U
Handle Move	66°	Arm Length	Middle
Arm Move	114°	Base Type	Flange
Spindle Supplied	M8 x 77.0L	Base Height	Low

Model No. **KJF-018-13F**

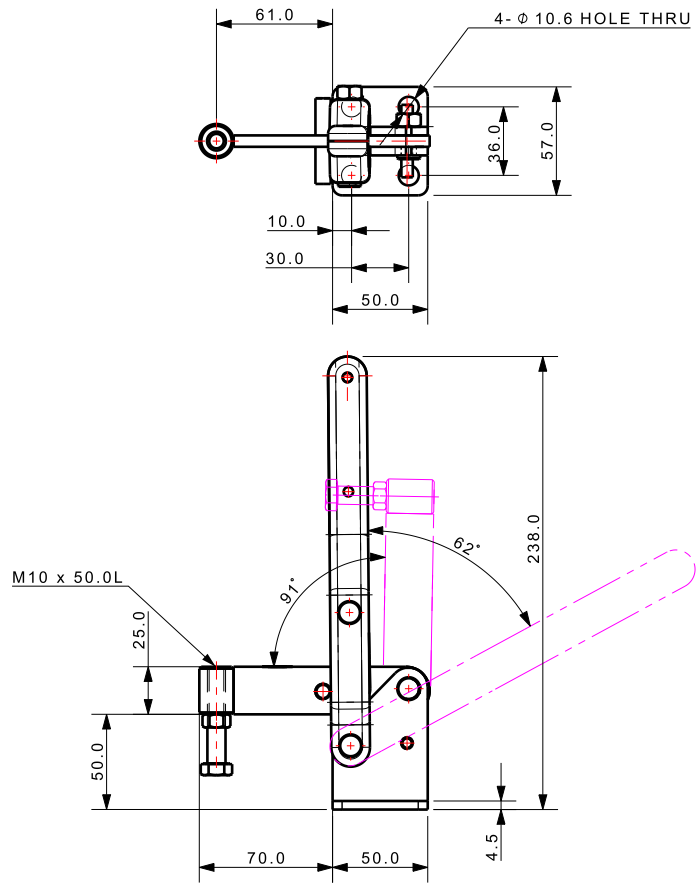


Holding Capacity(kg)	180	Spindle Adjust.(mm)	127
Weight(g)	449	Arm Type	U
Handle Move	66°	Arm Length	Long
Arm Move	114°	Base Type	Flange
Spindle Supplied	M8 x 77.0L	Base Height	Low

Model No. **KJF-040-12F**



Holding Capacity(kgf)	400	Spindle Adjust.(mm)	N / A
Weight(g)	866	Arm Type	Solid
Handle Move	62°	Arm Length	Long
Arm Move	91°	Base Type	Flange
Spindle Supplied	M10 x 89.0L	Base Height	Low

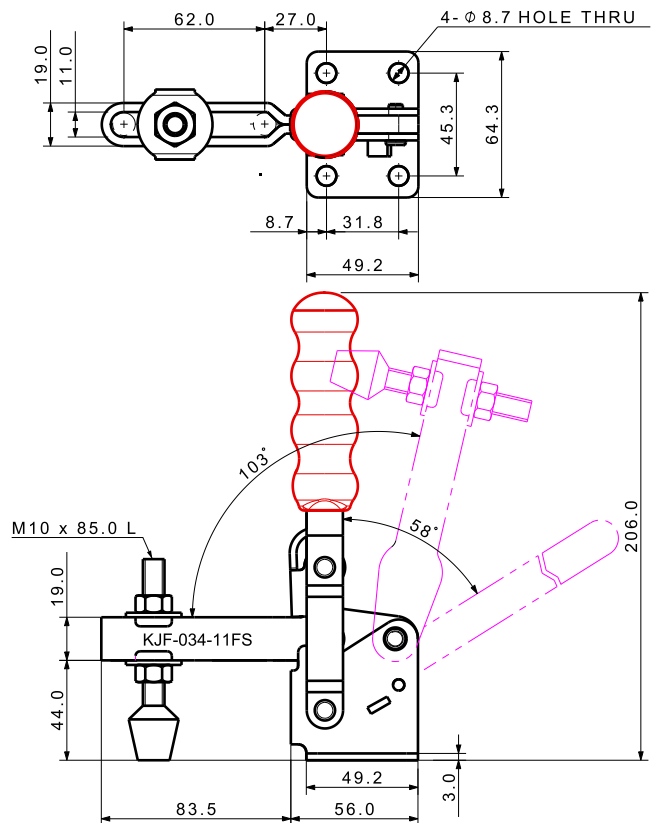


Model No. **KJF-034-11FS**

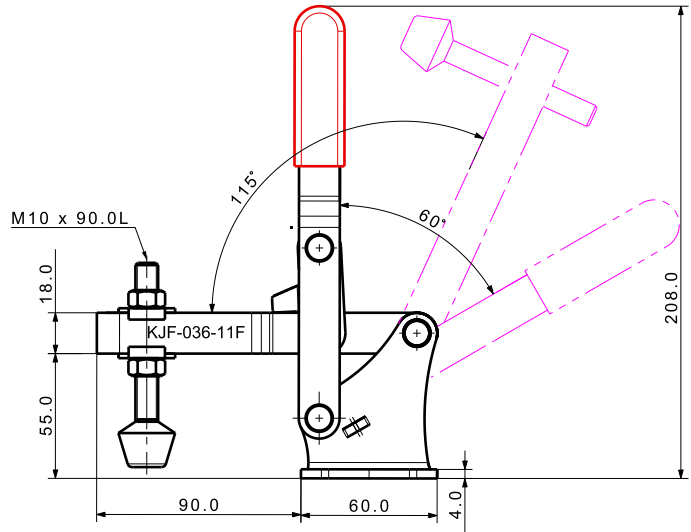
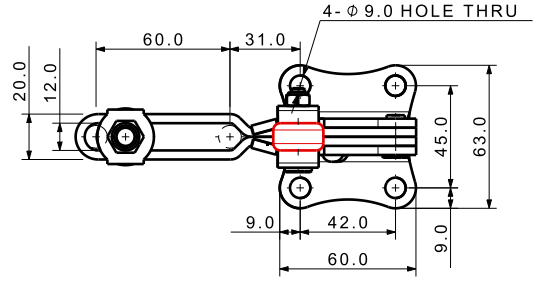
\* Material : Stainless Steel



Holding Capacity(kgf)	340	Spindle Adjust.(mm)	62
Weight(g)	659	Arm Type	U
Handle Move	58°	Arm Length	Short
Arm Move	103°	Base Type	Flange
Spindle Supplied	M10x85.0L	Base Height	Low

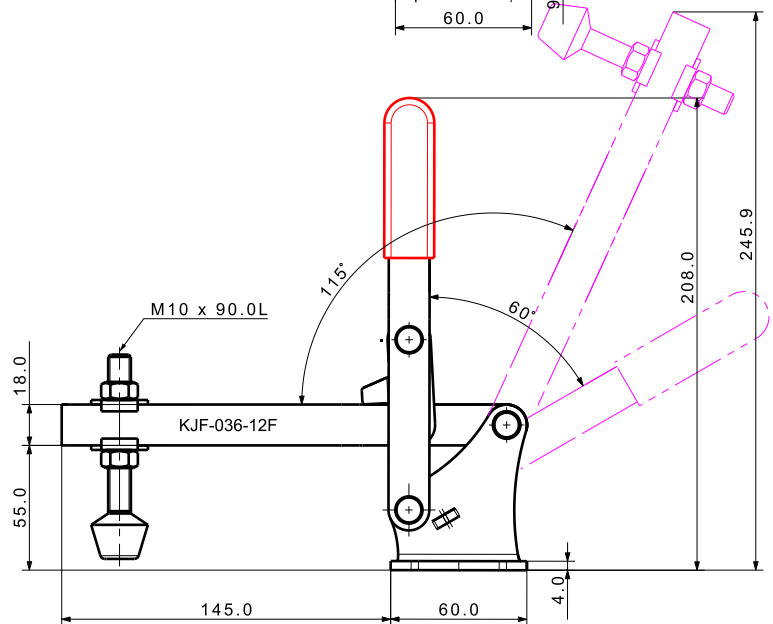
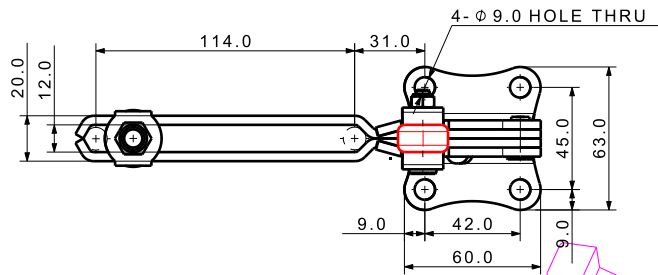


Model No. **KJF-036-11F**



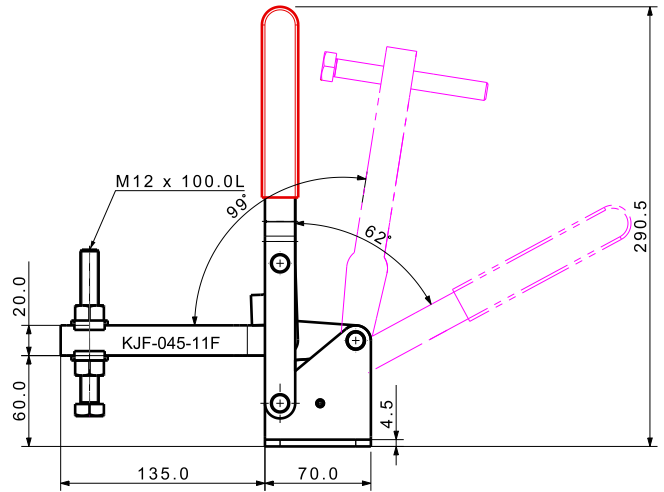
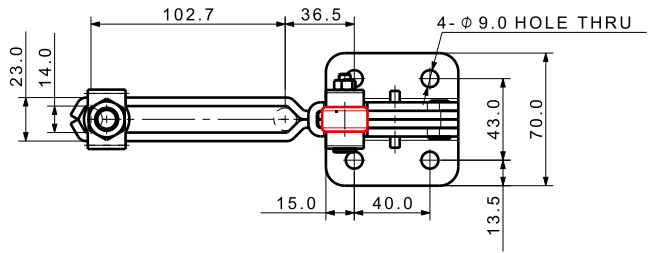
Holding Capacity(kgf)	360	Spindle Adjust.(mm)	60
Weight(g)	819	Arm Type	U
Handle Move	60°	Arm Length	Short
Arm Move	115°	Base Type	Flange
Spindle Supplied	M10 x 90.0L	Base Height	Low

Model No. **KJF-036-12F**



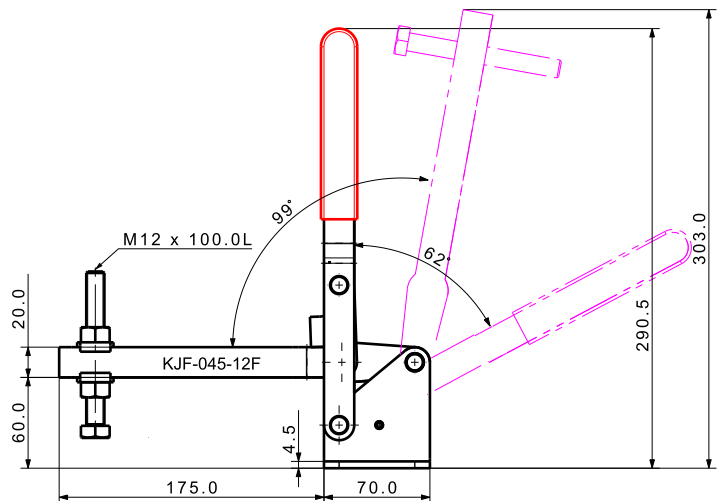
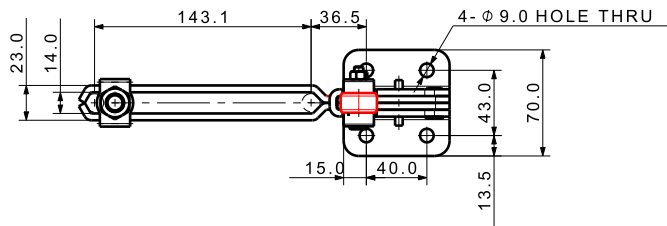
Holding Capacity(kgf)	360	Spindle Adjust.(mm)	114
Weight(g)	884	Arm Type	U
Handle Move	60°	Arm Length	Long
Arm Move	115°	Base Type	Flange
Spindle Supplied	M10 x 90.0L	Base Height	Low

Model No. **KJF-045-11F**



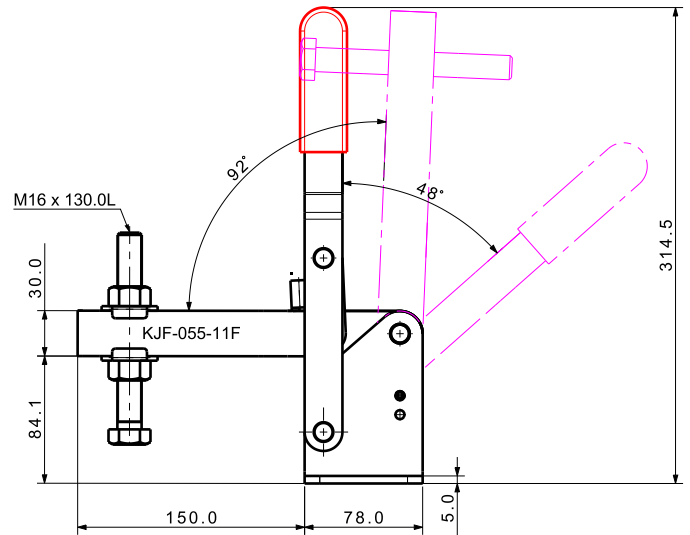
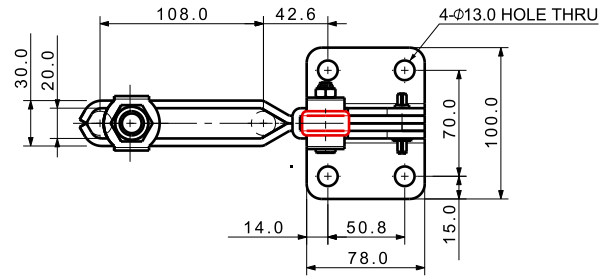
Holding Capacity(kgf)	450	Spindle Adjust.(mm)	103
Weight(g)	1410	Arm Type	U
Handle Move	62°	Arm Length	Short
Arm Move	99°	Base Type	Flange
Spindle Supplied	M12x100.0L	Base Height	Low

Model No. **KJF-045-12F**



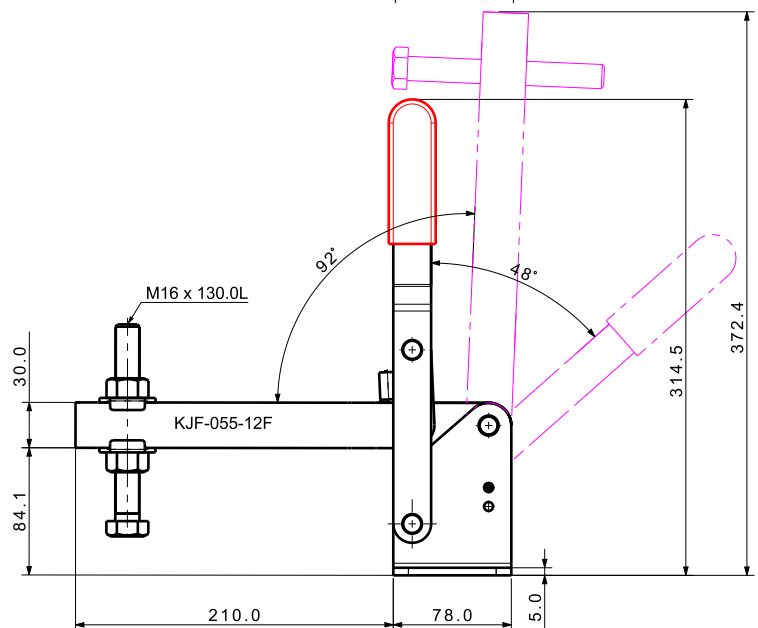
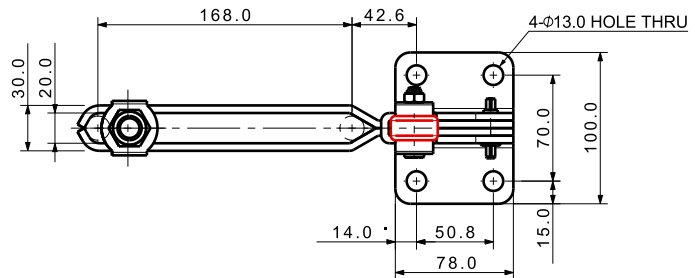
Holding Capacity(kgf)	450	Spindle Adjust.(mm)	143
Weight(g)	1470	Arm Type	U
Handle Move	62°	Arm Length	Long
Arm Move	99°	Base Type	Flange
Spindle Supplied	M12x100.0L	Base Height	Low

Model No. **KJF-055-11F**



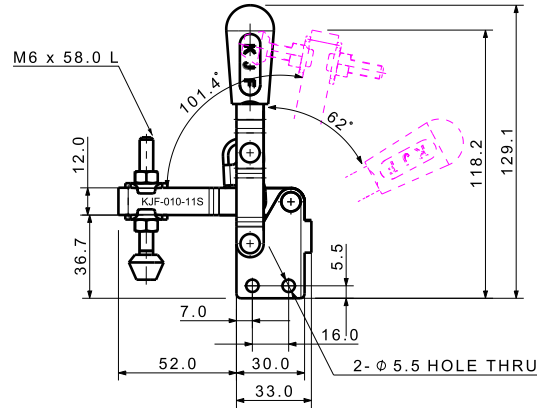
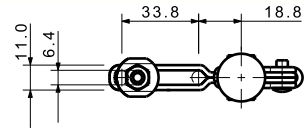
Holding Capacity(kgf)	550	Spindle Adjust.(mm)	108
Weight(g)	2400	Arm Type	U
Handle Move	48°	Arm Length	Short
Arm Move	92°	Base Type	Flange
Spindle Supplied	M16x130.0L	Base Height	Low

Model No. **KJF-055-12F**



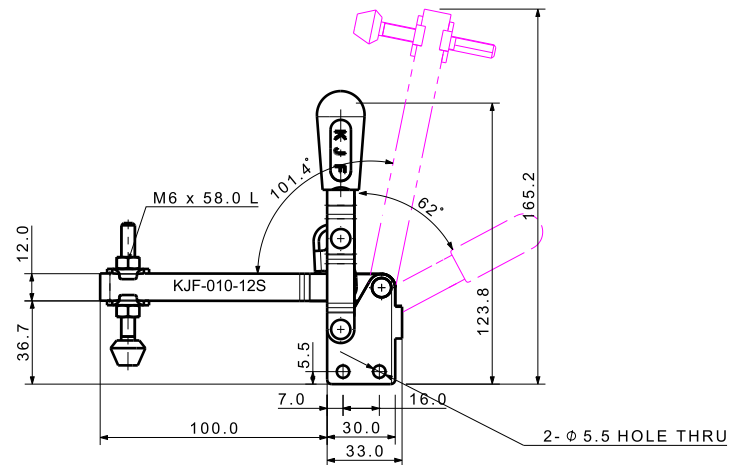
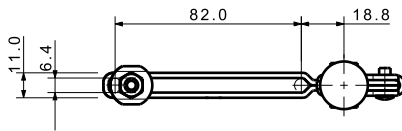
Holding Capacity(kgf)	550	Spindle Adjust.(mm)	168
Weight(g)	2560	Arm Type	U
Handle Move	48°	Arm Length	Long
Arm Move	92°	Base Type	Flange
Spindle Supplied	M16x130.0L	Base Height	Low

Model No. KJF-010-11S



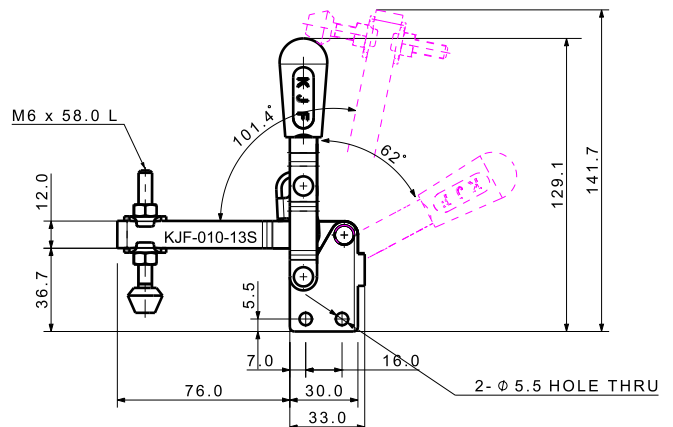
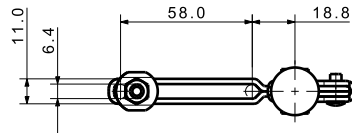
Holding Capacity(kgf)	100	Spindle Adjust.(mm)	34
Weight(g)	163	Arm Type	U
Handle Move	62°	Arm Length	Short
Arm Move	101°	Base Type	Straight
Spindle Supplied	M6 x 58.0L	Base Height	Low

Model No. KJF-010-12S



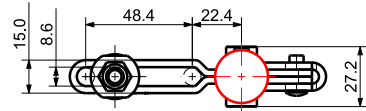
Holding Capacity(kgf)	100	Spindle Adjust.(mm)	82
Weight(g)	182	Arm Type	U
Handle Move	62°	Arm Length	Long
Arm Move	101°	Base Type	Straight
Spindle Supplied	M6 x 58.0L	Base Height	Low

Model No. KJF-010-13S

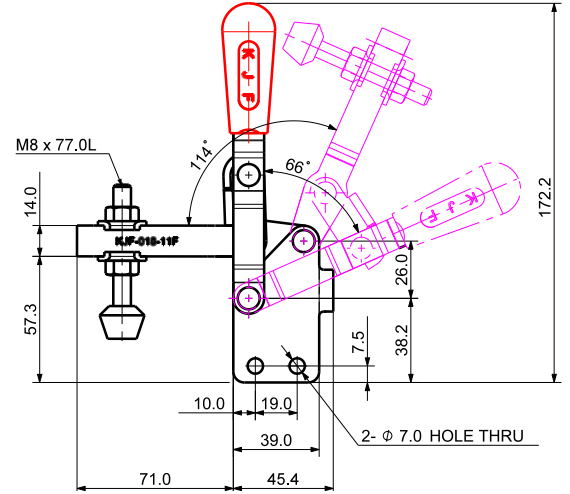
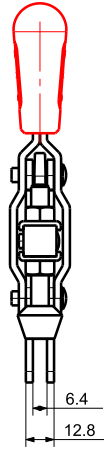


Holding Capacity(kgf)	100	Spindle Adjust.(mm)	58
Weight(g)	175	Arm Type	U
Handle Move	62°	Arm Length	Middle
Arm Move	101°	Base Type	Straight
Spindle Supplied	M6 x 58.0L	Base Height	Low

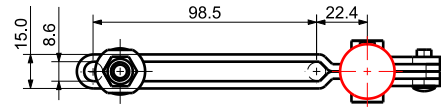
### Model No. KJF-018-11S



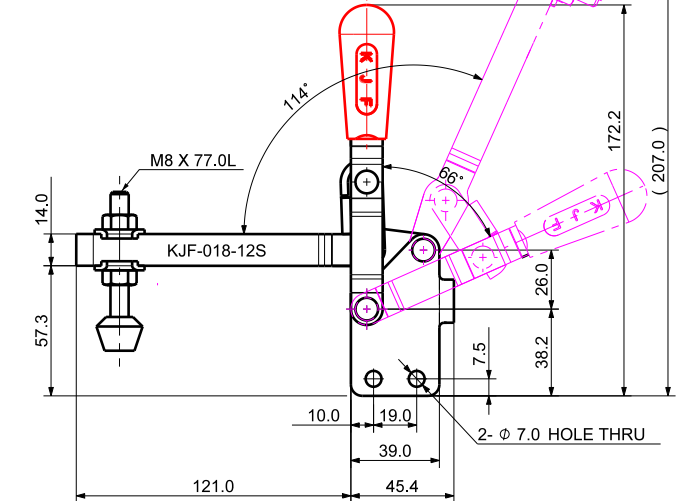
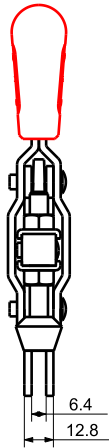
Holding Capacity(kgf)	180	Spindle Adjust.(mm)	48
Weight(g)	403	Arm Type	U
Handle Move	66°	Arm Length	Short
Arm Move	114°	Base Type	Straight
Spindle Supplied	M8 x 77.0L	Base Height	Low



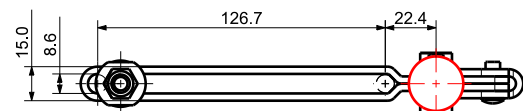
### Model No. KJF-018-12S



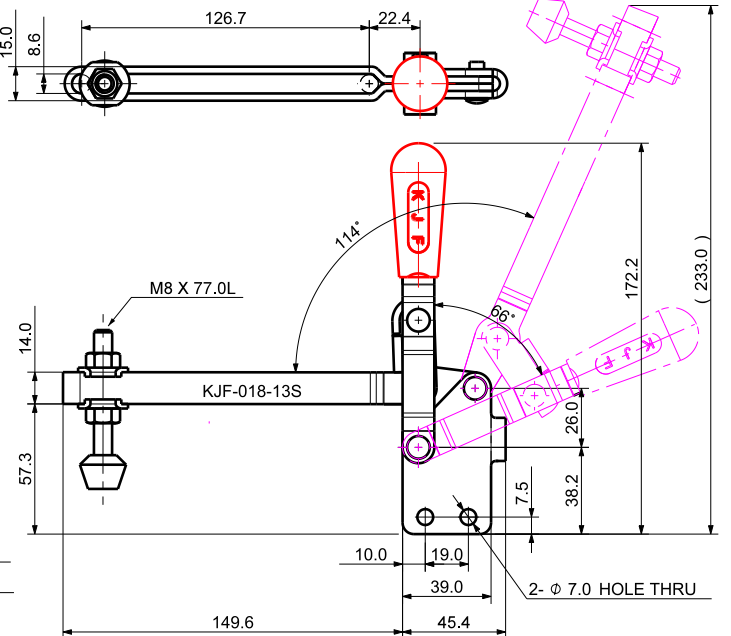
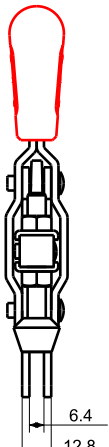
Holding Capacity(kgf)	180	Spindle Adjust.(mm)	98
Weight(g)	403	Arm Type	U
Handle Move	66°	Arm Length	Middle
Arm Move	114°	Base Type	Straight
Spindle Supplied	M8 x 77.0L	Base Height	Low



### Model No. KJF-018-13S

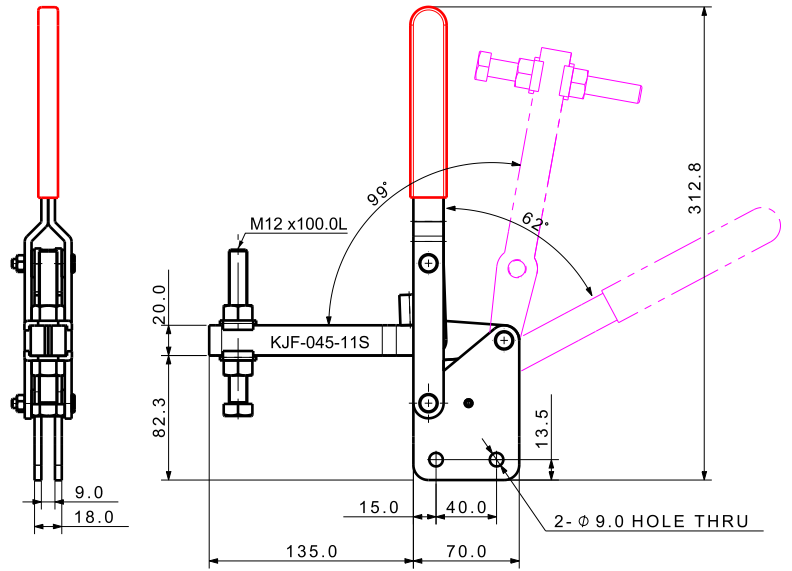
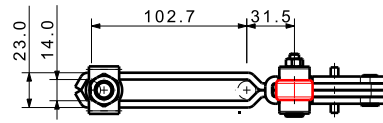


Holding Capacity(kgf)	180	Spindle Adjust.(mm)	127
Weight(g)	452	Arm Type	U
Handle Move	66°	Arm Length	Long
Arm Move	114°	Base Type	Straight
Spindle Supplied	M8 x 77.0L	Base Height	Low



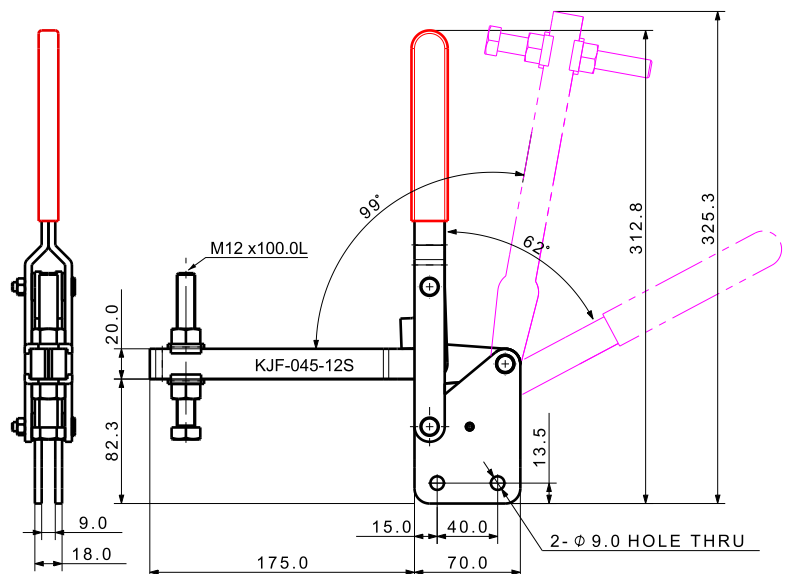
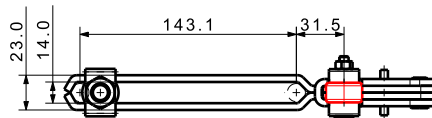


Model No. **KJF-045-11S**



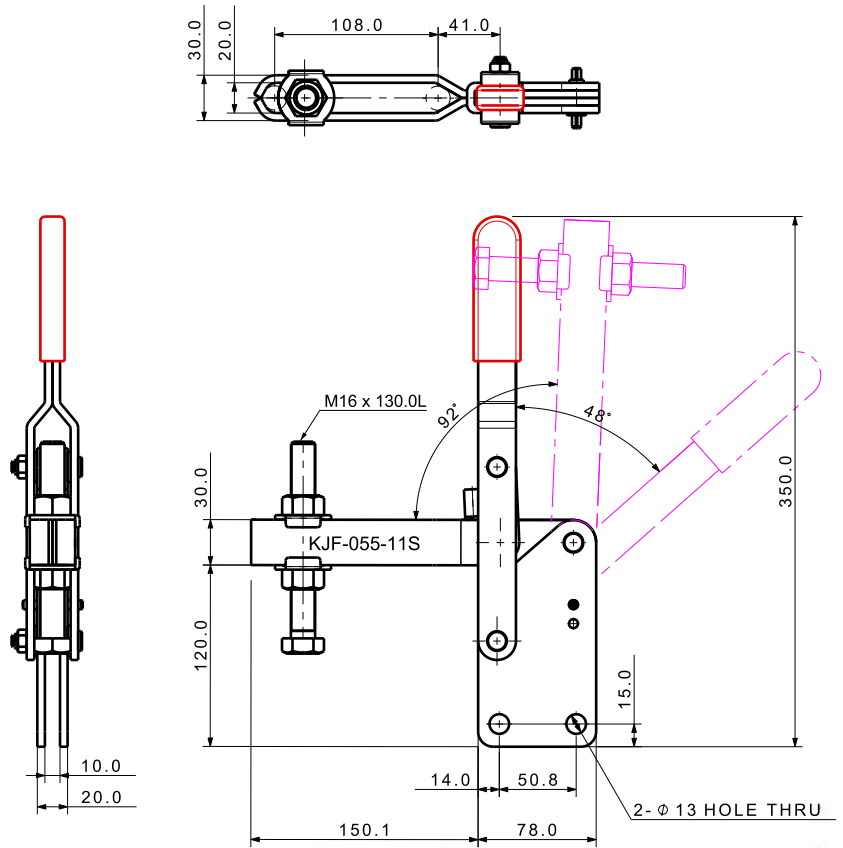
Holding Capacity(kgf)	450	Spindle Adjust.(mm)	103
Weight(g)	1420	Arm Type	U
Handle Move	62°	Arm Length	Short
Arm Move	99°	Base Type	Straight
Spindle Supplied	M12x100.0L	Base Height	Low

Model No. **KJF-045-12S**



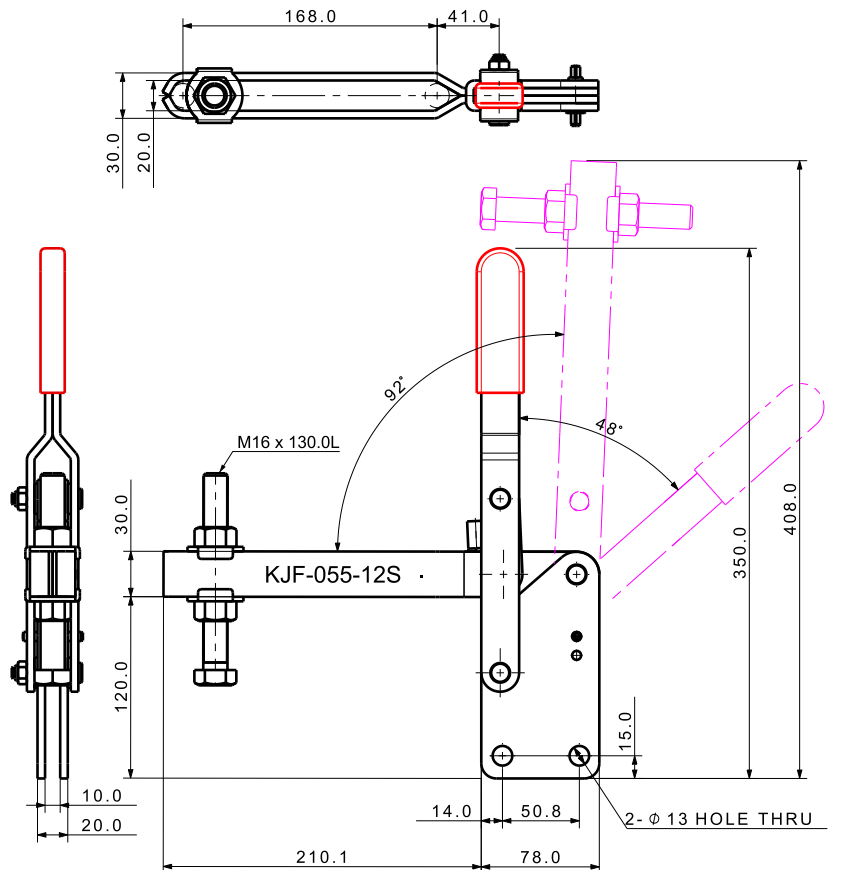
Holding Capacity(kgf)	450	Spindle Adjust.(mm)	143
Weight(g)	1440	Arm Type	U
Handle Move	62°	Arm Length	Long
Arm Move	99°	Base Type	Straight
Spindle Supplied	M12x100.0L	Base Height	Low

Model No. **KJF-055-11S**



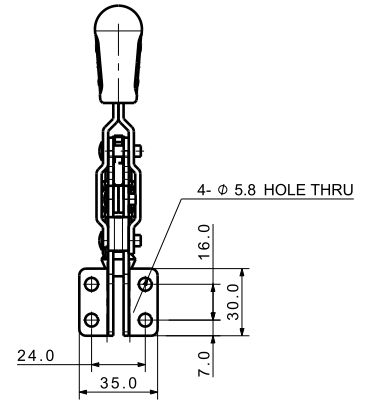
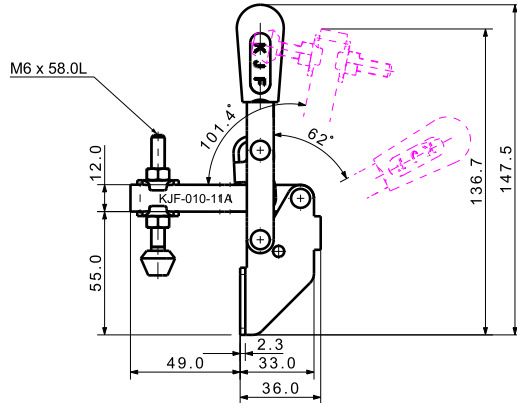
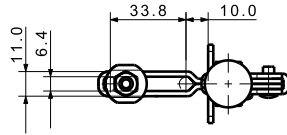
Holding Capacity(kgf)	550	Spindle Adjust.(mm)	108
Weight(g)	2400	Arm Type	U
Handle Move	48°	Arm Length	Short
Arm Move	92°	Base Type	Straight
Spindle Supplied	M16x130.0L	Base Height	Low

Model No. **KJF-055-12S**



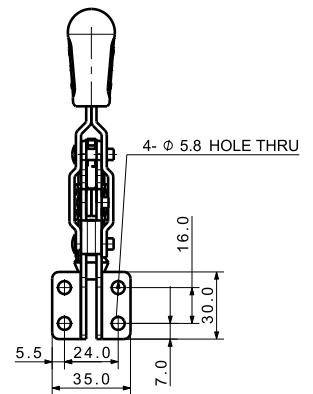
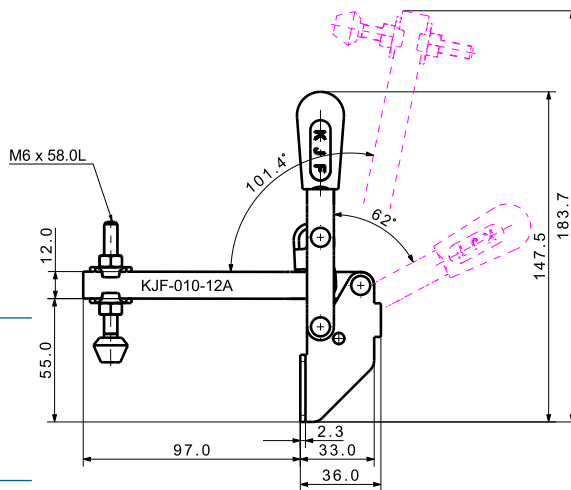
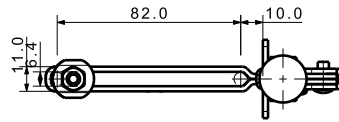
Holding Capacity(kgf)	550	Spindle Adjust.(mm)	168
Weight(g)	2540	Arm Type	U
Handle Move	48°	Arm Length	Long
Arm Move	92°	Base Type	Straight
Spindle Supplied	M16x130.0L	Base Height	Low

### Model No. KJF-010-11A



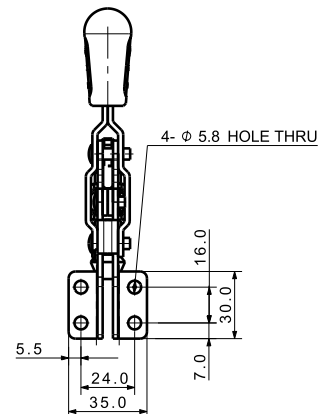
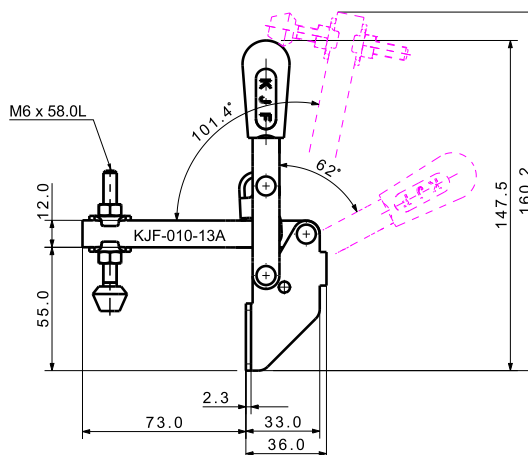
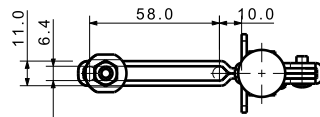
Holding Capacity(kgf)	100	Spindle Adjust.(mm)	34
Weight(g)	187	Arm Type	U
Handle Move	62°	Arm Length	Short
Arm Move	101°	Base Type	Angle
Spindle Supplied	M6 x 58.0L	Base Height	Low

### Model No. KJF-010-12A



Holding Capacity(kgf)	100	Spindle Adjust.(mm)	82
Weight(g)	207	Arm Type	U
Handle Move	62°	Arm Length	Long
Arm Move	101°	Base Type	Angle
Spindle Supplied	M6 x 58.0L	Base Height	Low

### Model No. KJF-010-13A

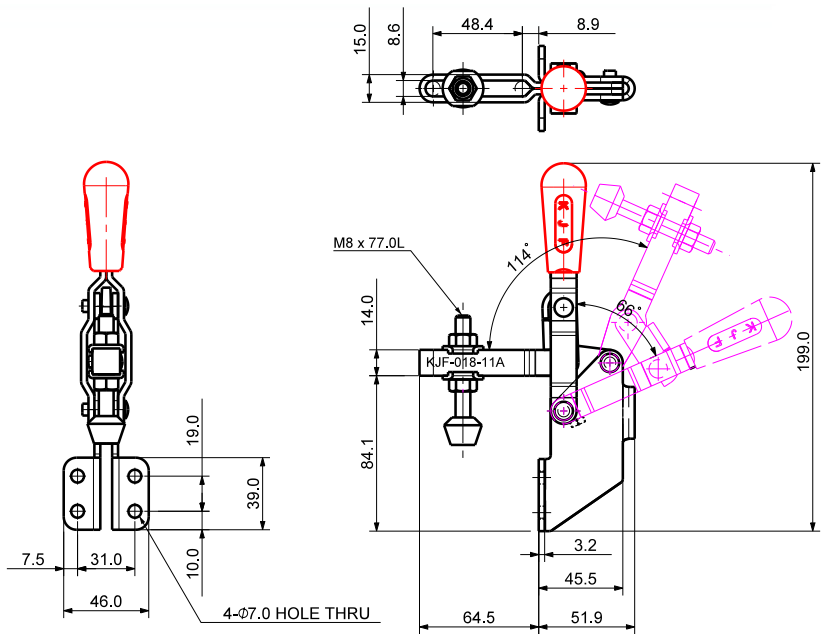


Holding Capacity(kgf)	100	Spindle Adjust.(mm)	58
Weight(g)	199	Arm Type	U
Handle Move	62°	Arm Length	Middle
Arm Move	101°	Base Type	Angle
Spindle Supplied	M6 x 58.0L	Base Height	Low

### Model No. KJF-018-11A



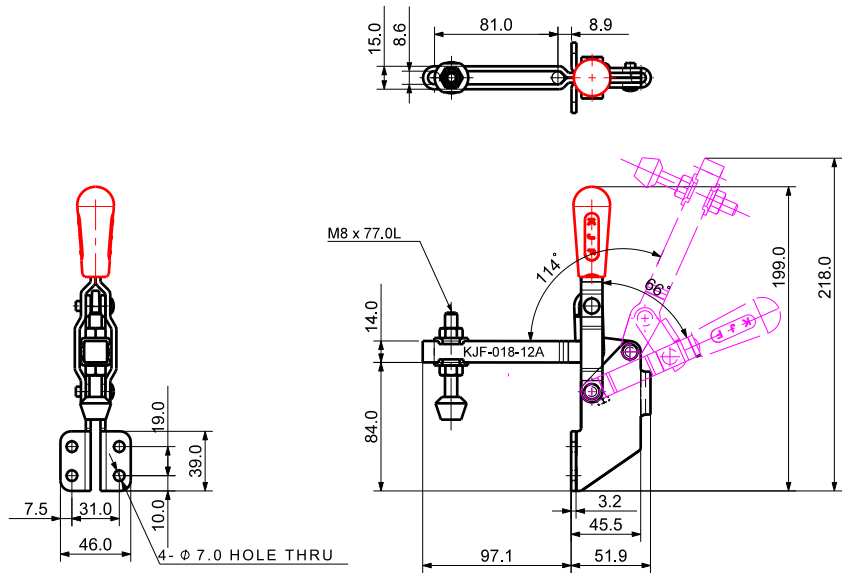
Holding Capacity(kg)	180	Spindle Adjust.(mm)	48
Weight(g)	466	Arm Type	U
Handle Move	66°	Arm Length	Short
Arm Move	114°	Base Type	Angle
Spindle Supplied	M8 x 77.0L	Base Height	Low



### Model No. KJF-018-12A



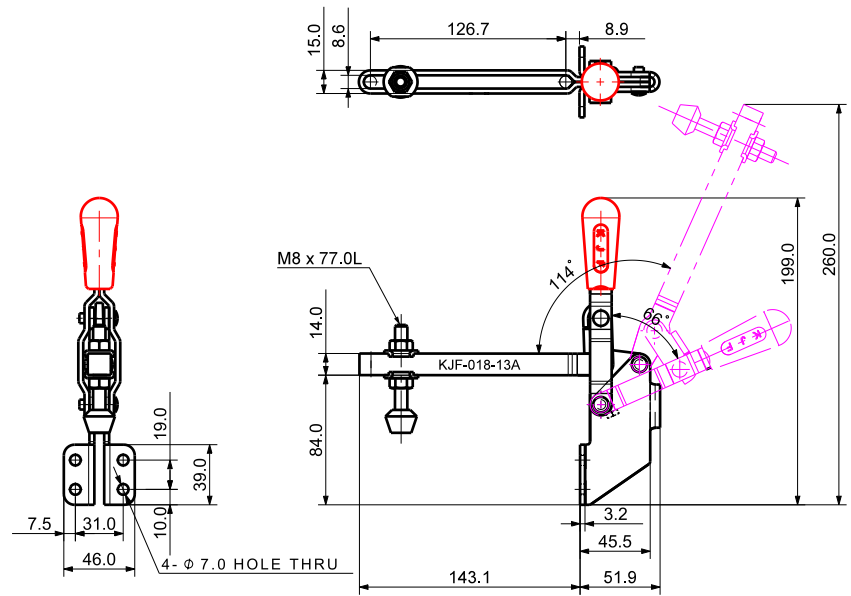
Holding Capacity(kg)	180	Spindle Adjust.(mm)	98
Weight(g)	503	Arm Type	U
Handle Move	66°	Arm Length	Middle
Arm Move	114°	Base Type	Angle
Spindle Supplied	M8 x 77.0L	Base Height	Low



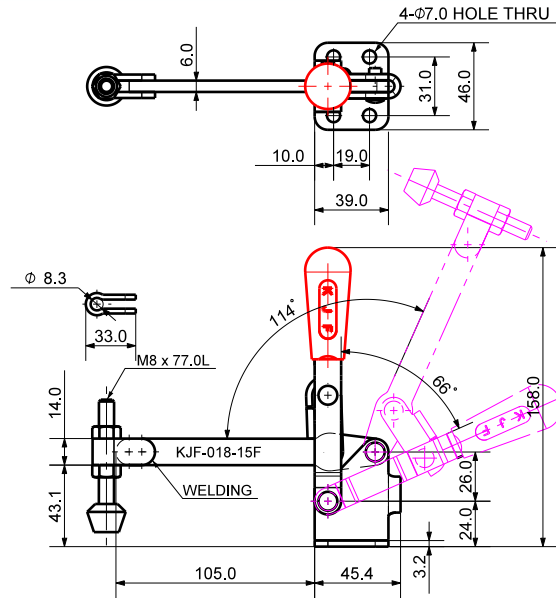
### Model No. KJF-018-13A



Holding Capacity(kg)	180	Spindle Adjust.(mm)	127
Weight(g)	515	Arm Type	U
Handle Move	66°	Arm Length	Long
Arm Move	114°	Base Type	Angle
Spindle Supplied	M8 x 77.0L	Base Height	Low

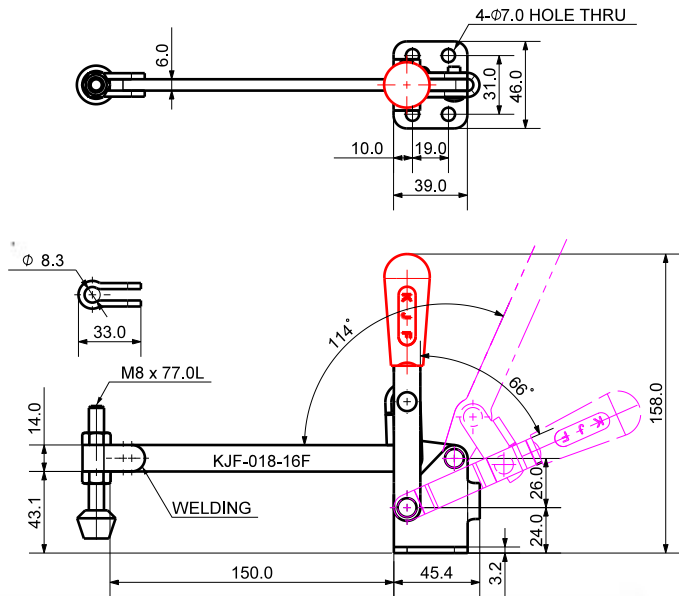


Model No. **KJF-018-15F**



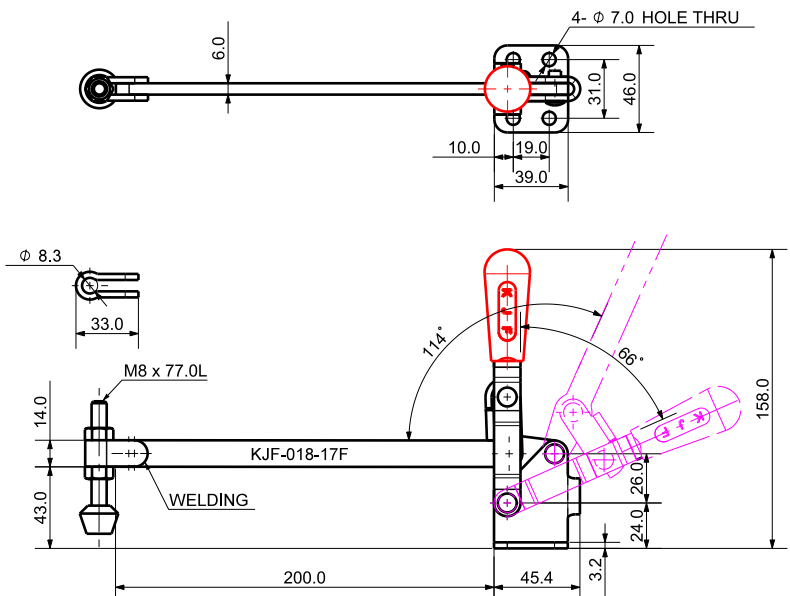
Holding Capacity(kgf)	180	Spindle Adjust.(mm)	N / A
Weight(g)	405	Arm Type	Solid
Handle Move	66°	Arm Length	Long
Arm Move	114°	Base Type	Flange
Spindle Supplied	M8 x 77.0L	Base Height	Low

Model No. **KJF-018-16F**



Holding Capacity(kgf)	180	Spindle Adjust.(mm)	N / A
Weight(g)	441	Arm Type	Solid
Handle Move	66°	Arm Length	Long
Arm Move	114°	Base Type	Flange
Spindle Supplied	M8 x 77.0L	Base Height	Low

Model No. **KJF-018-17F**



Holding Capacity(kgf)	180	Spindle Adjust.(mm)	N / A
Weight(g)	479	Arm Type	Solid
Handle Move	66°	Arm Length	Long
Arm Move	114°	Base Type	Flange
Spindle Supplied	M8 x 77.0L	Base Height	Low

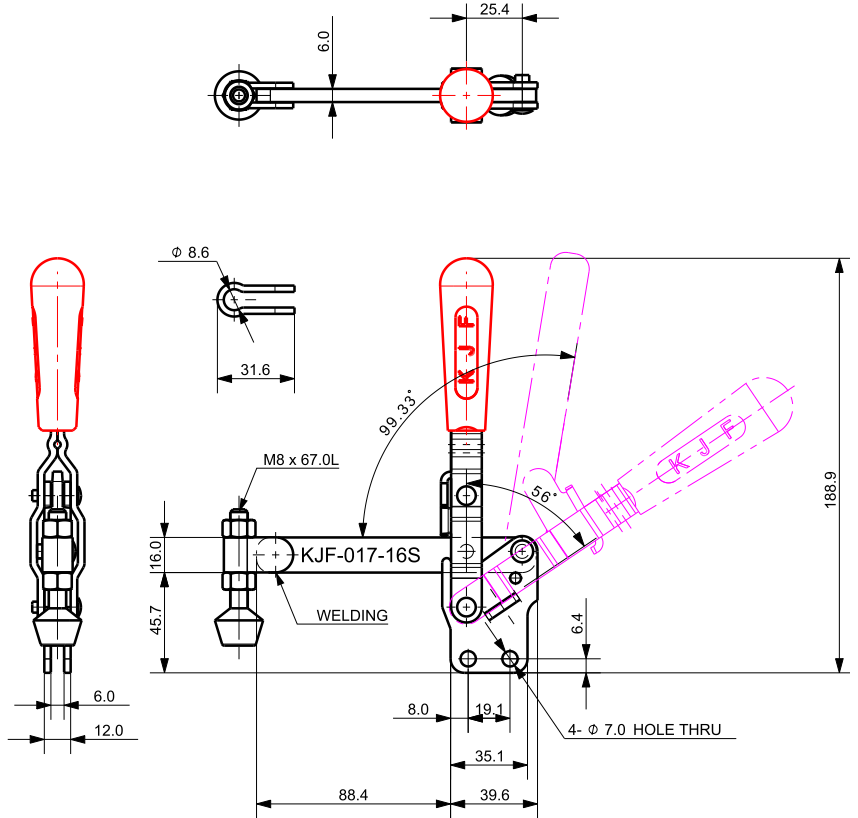
Model No. **KJF-017-16S**

**NEW**



검사지그 전용제품 / 암(Arm) 유격이 최소화된 제품  
 암 길이 주문제작으로 변경 가능 / 더욱 편리해진 핸들그립감

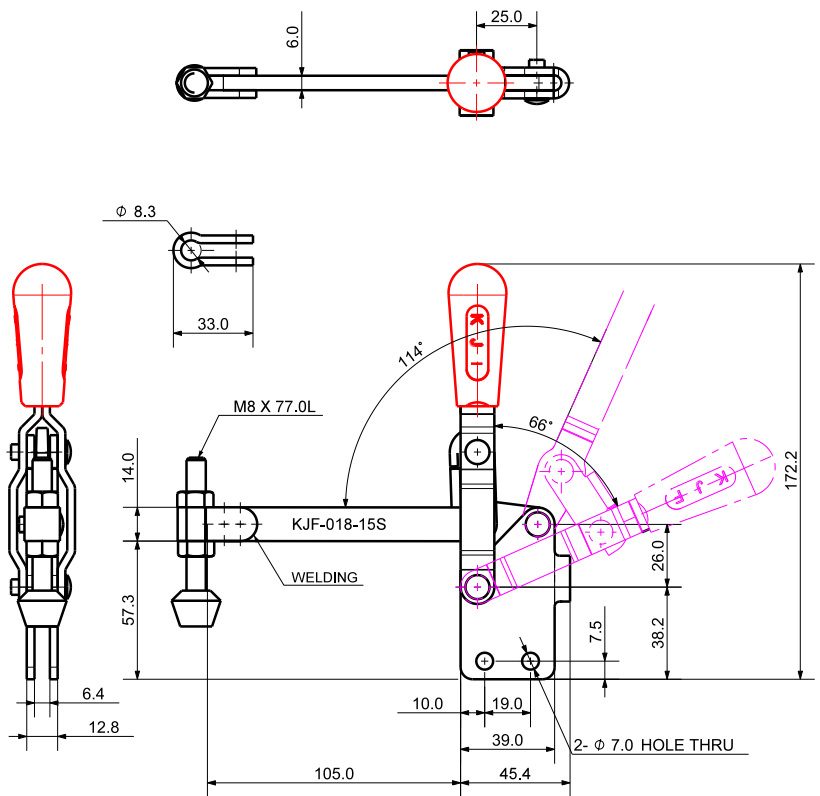
Holding Capacity(kg)	170	Spindle Adjust.(mm)	N / A
Weight(g)	406	Arm Type	Solid
Handle Move	56°	Arm Length	Short
Arm Move	99.3°	Base Type	Straight
Spindle Supplied	M8 x 67.0L	Base Height	Low



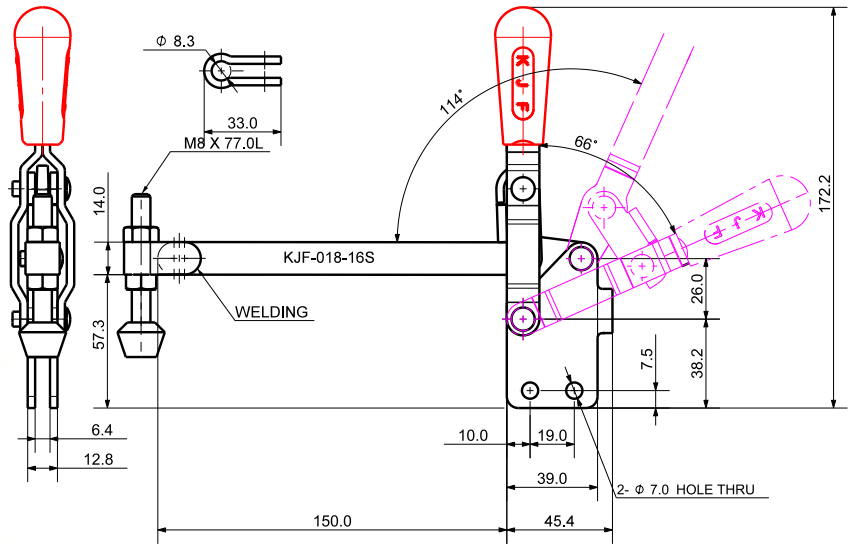
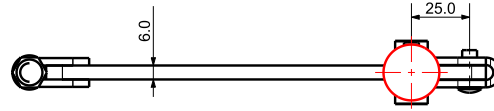
Model No. **KJF-018-15S**



Holding Capacity(kg)	180	Spindle Adjust.(mm)	N / A
Weight(g)	405	Arm Type	Solid
Handle Move	66°	Arm Length	Long
Arm Move	114°	Base Type	Straight
Spindle Supplied	M8 x 77.0L	Base Height	Low

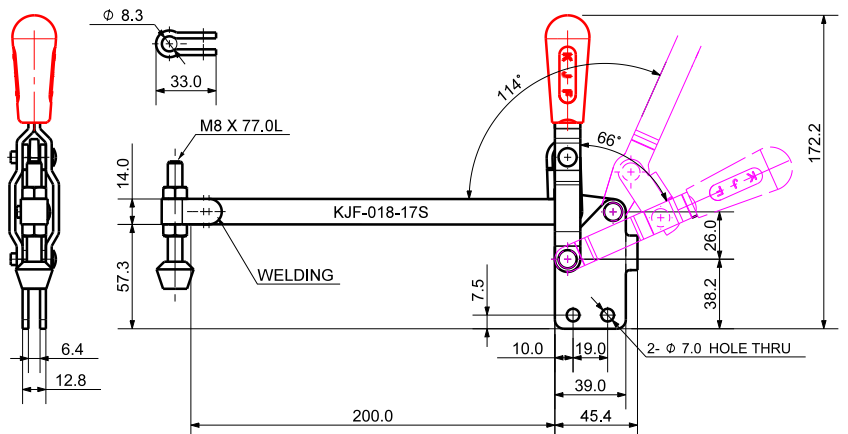
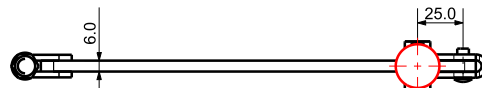
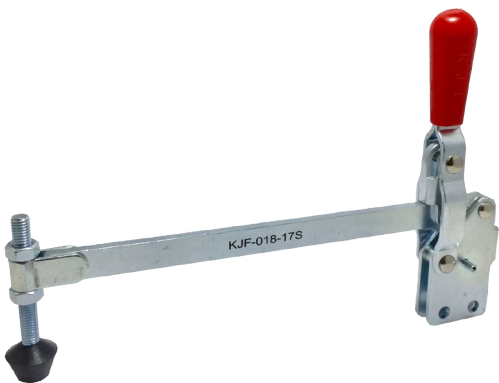


Model No. **KJF-018-16S**



Holding Capacity(kgf)	180	Spindle Adjust.(mm)	N / A
Weight(g)	440	Arm Type	Solid
Handle Move	66°	Arm Length	Long
Arm Move	114°	Base Type	Straight
Spindle Supplied	M8 x 77.0L	Base Height	Low

Model No. **KJF-018-17S**

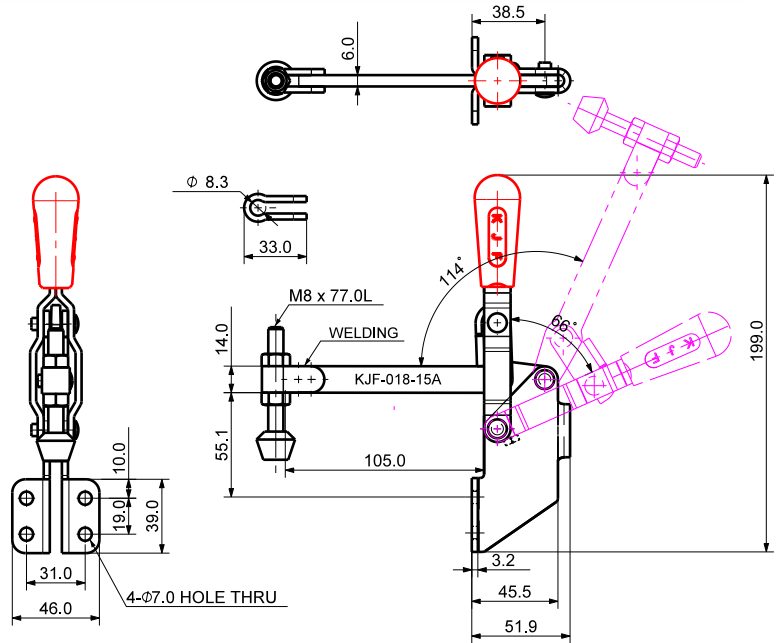


Holding Capacity(kgf)	180	Spindle Adjust.(mm)	N / A
Weight(g)	471	Arm Type	Solid
Handle Move	66°	Arm Length	Long
Arm Move	114°	Base Type	Straight
Spindle Supplied	M8 x 77.0L	Base Height	Low

Model No. **KJF-018-15A**



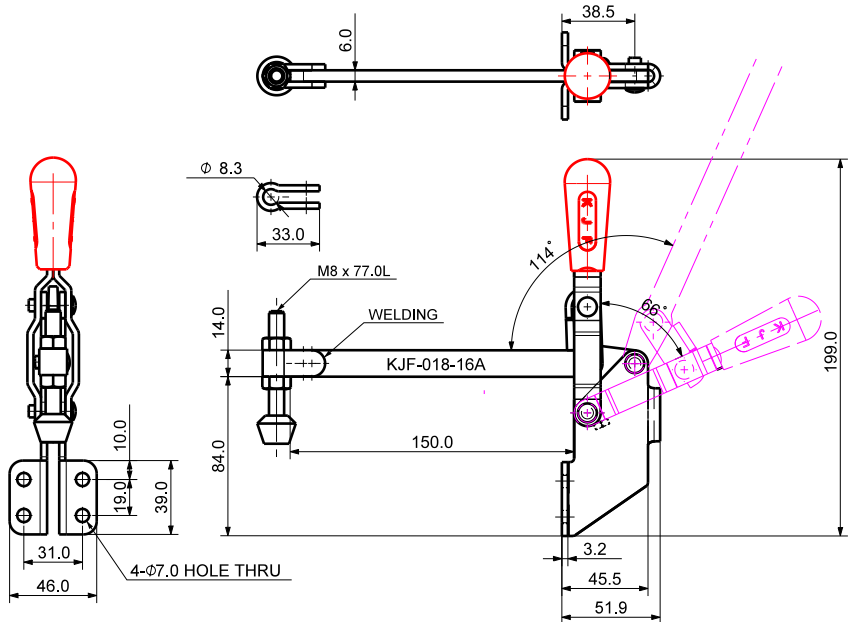
Holding Capacity(kg)	180	Spindle Adjust.(mm)	N / A
Weight(g)	477	Arm Type	Solid
Handle Move	66°	Arm Length	Long
Arm Move	114°	Base Type	Angle
Spindle Supplied	M8 x 77.0L	Base Height	Low



Model No. **KJF-018-16A**



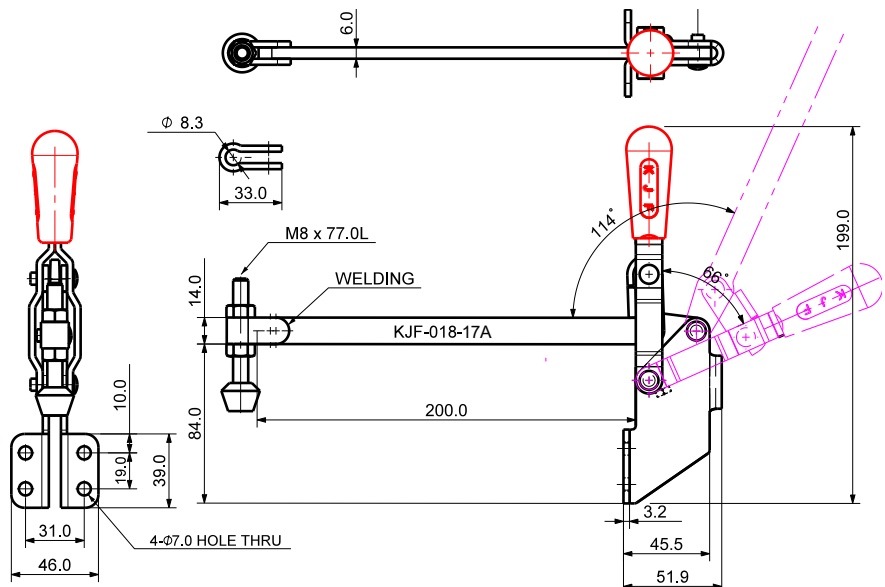
Holding Capacity(kg)	180	Spindle Adjust.(mm)	N / A
Weight(g)	508	Arm Type	Solid
Handle Move	66°	Arm Length	Long
Arm Move	114°	Base Type	Angle
Spindle Supplied	M8 x 77.0L	Base Height	Low



Model No. **KJF-018-17A**

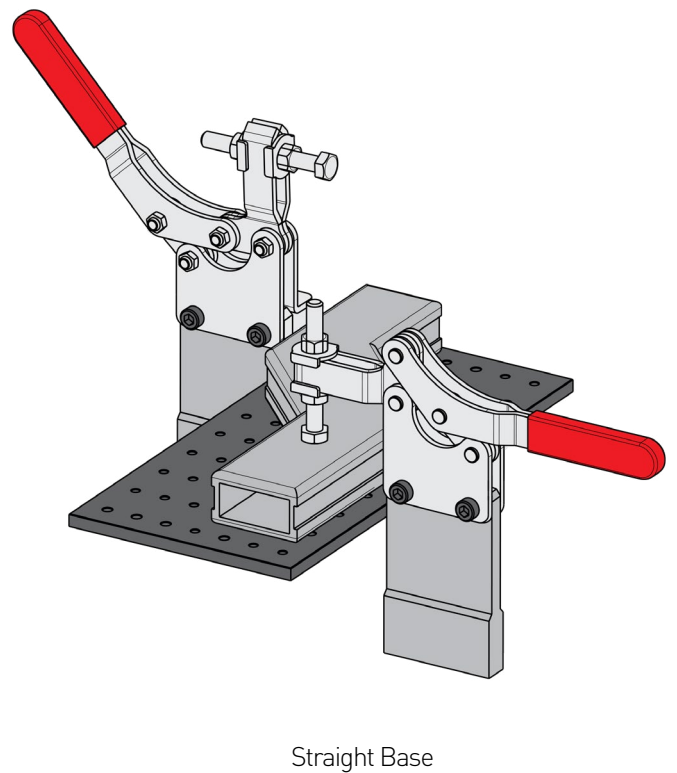
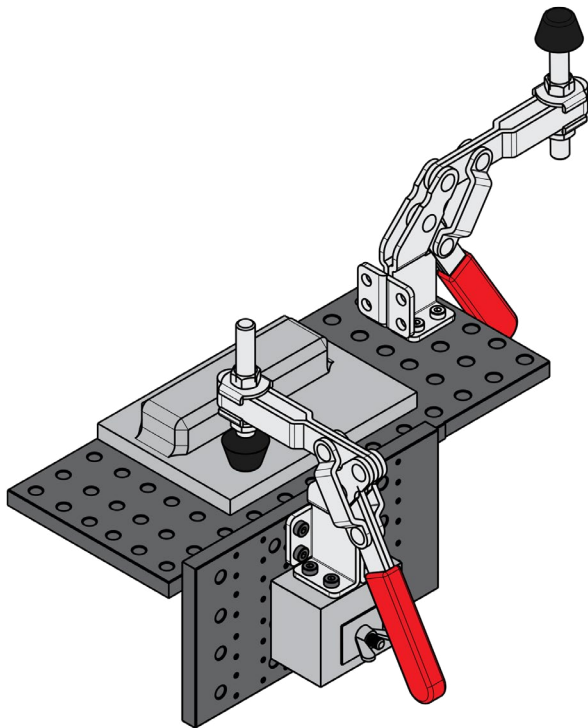
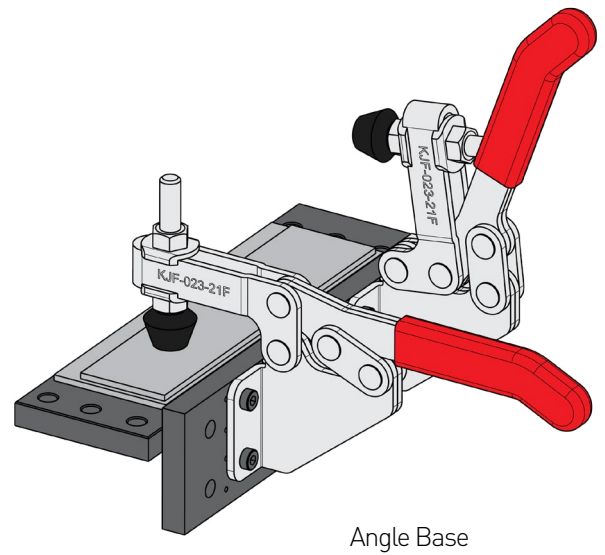
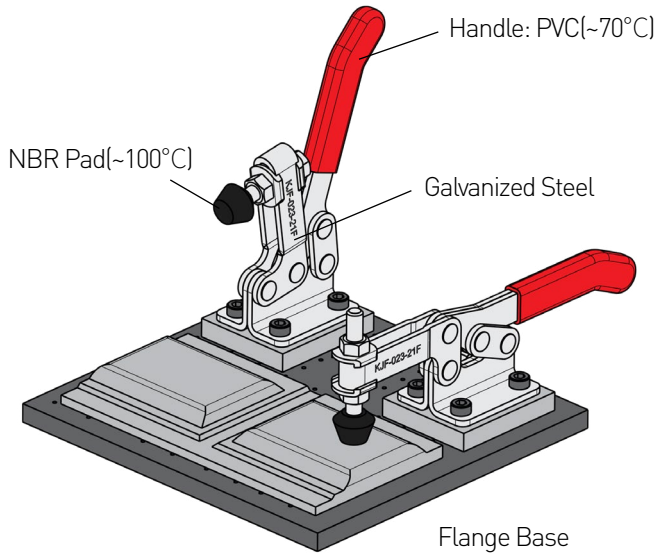


Holding Capacity(kg)	180	Spindle Adjust.(mm)	N / A
Weight(g)	538	Arm Type	Solid
Handle Move	66°	Arm Length	Long
Arm Move	114°	Base Type	Angle
Spindle Supplied	M8 x 77.0L	Base Height	Low

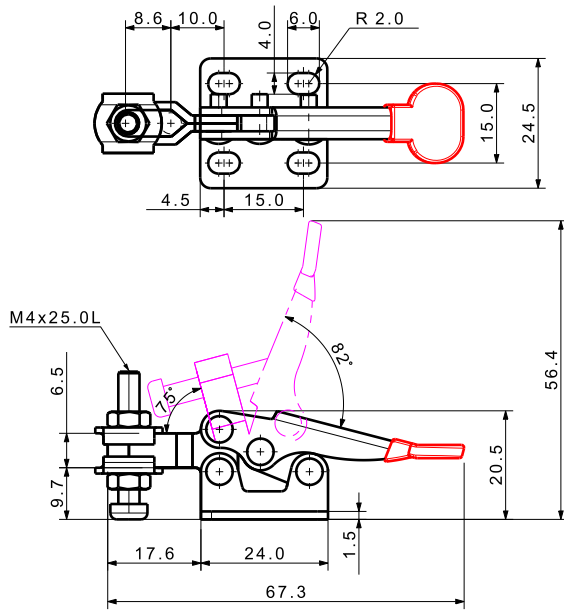




# Horizontal Type

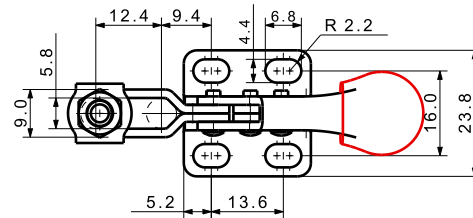


Model No. KJF-002-21FR



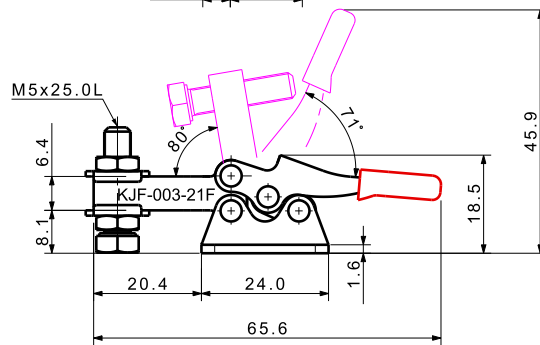
Holding Capacity(kgf)	20	Spindle Adjust.(mm)	9
Weight(g)	30	Arm Type	U
Handle Move	82°	Arm Length	Short
Arm Move	75°	Base Type	Flange
Spindle Supplied	M4 x 25.0L	Base Height	Low

Model No. KJF-003-21F



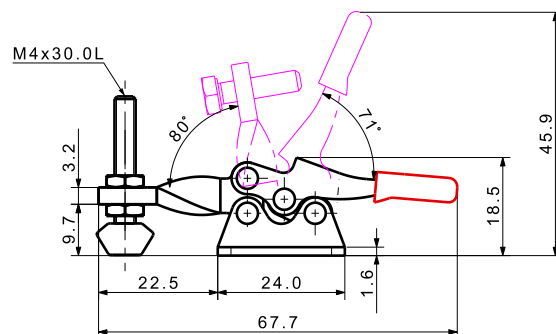
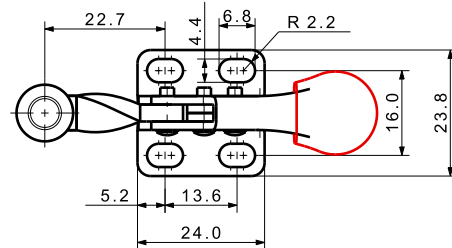
Model No. KJF-003-21FS

\* Material : Stainless Steel



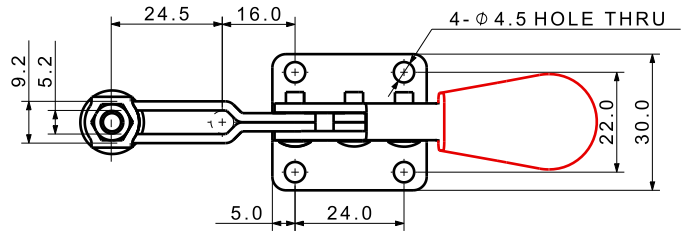
Holding Capacity(kgf)	30	Spindle Adjust.(mm)	12
Weight(g)	31	Arm Type	U
Handle Move	71°	Arm Length	Short
Arm Move	80°	Base Type	Flange
Spindle Supplied	M5 x 25.0L	Base Height	Low

Model No. KJF-003-25F



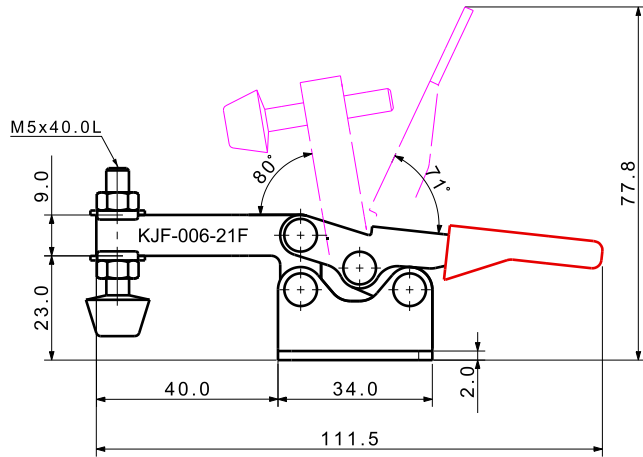
Holding Capacity(kgf)	30	Spindle Adjust.(mm)	N / A
Weight(g)	27	Arm Type	Solid
Handle Move	71°	Arm Length	Short
Arm Move	80°	Base Type	Flange
Spindle Supplied	M4 x 30.0L	Base Height	Low

Model No. **KJF-006-21F**



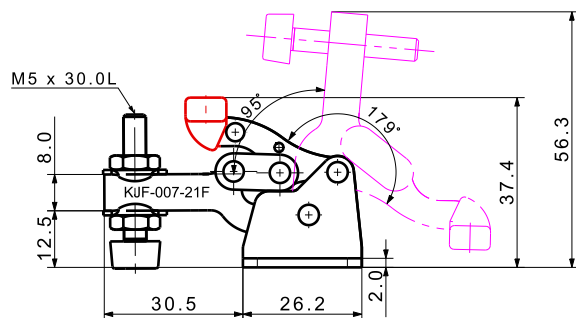
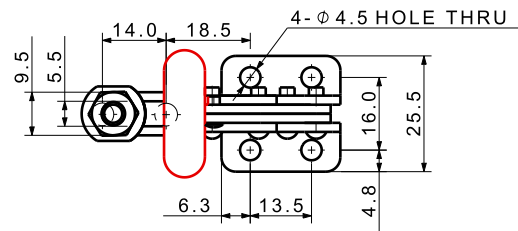
Model No. **KJF-006-21FS**

\* Material : Stainless Steel



Holding Capacity(kgf)	60	Spindle Adjust.(mm)	25
Weight(g)	83	Arm Type	U
Handle Move	71°	Arm Length	Short
Arm Move	80°	Base Type	Flange
Spindle Supplied	M5 x 40.0L	Base Height	Low

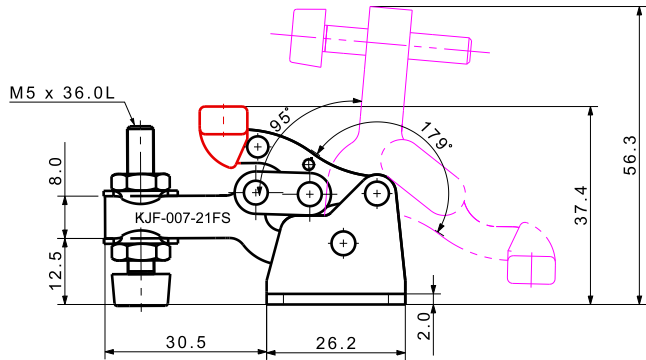
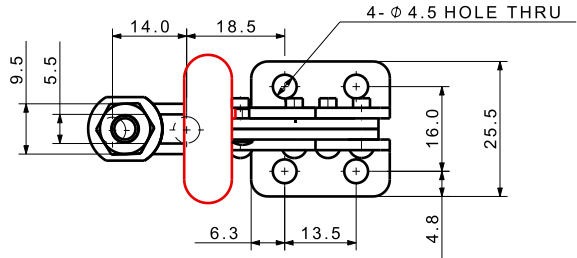
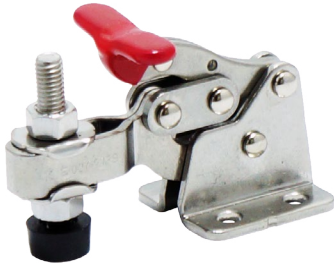
Model No. **KJF-007-21F**



Holding Capacity(kgf)	70	Spindle Adjust.(mm)	14
Weight(g)	57	Arm Type	U
Handle Move	179°	Arm Length	Short
Arm Move	95°	Base Type	Flange
Spindle Supplied	M5 x 30.0L	Base Height	Low

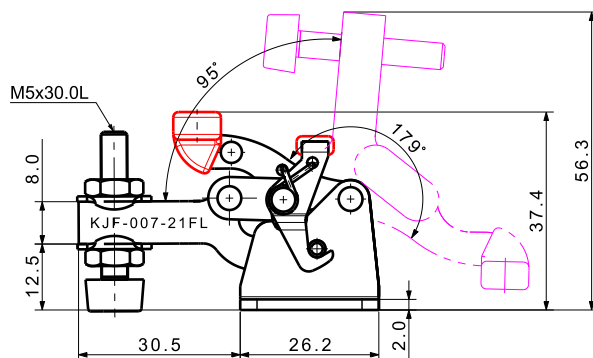
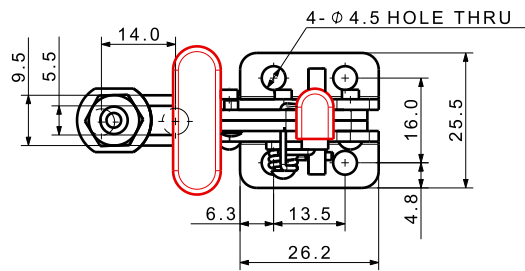
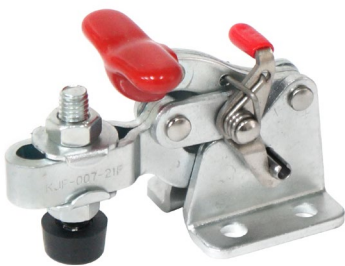
Model No. **KJF-007-21FS**

\* Material : Stainless Steel



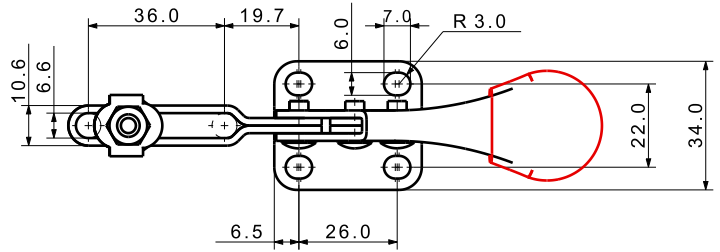
Holding Capacity(kgf)	70	Spindle Adjust.(mm)	14
Weight(g)	56	Arm Type	U
Handle Move	179°	Arm Length	Short
Arm Move	95°	Base Type	Flange
Spindle Supplied	M5 x 36.0L	Base Height	Low

Model No. **KJF-007-21FL**



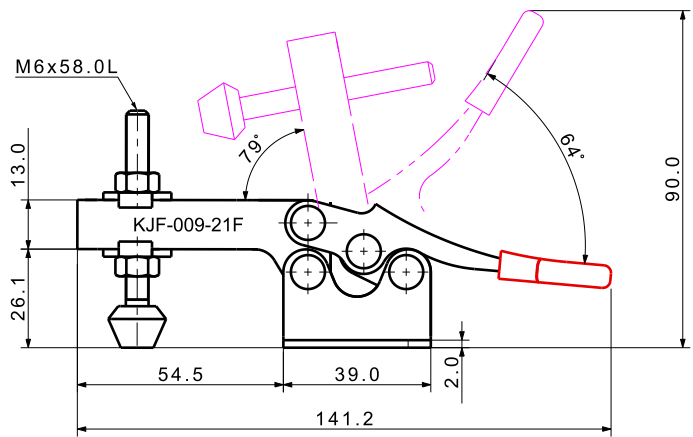
Holding Capacity(kgf)	70	Spindle Adjust.(mm)	14
Weight(g)	60	Arm Type	U
Handle Move	179°	Arm Length	Short
Arm Move	95°	Base Type	Flange
Spindle Supplied	M5 x 30.0L	Base Height	Low

Model No. **KJF-009-21F**



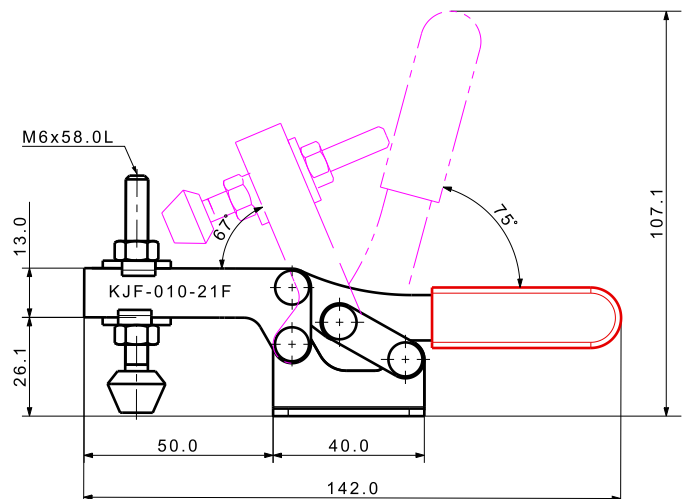
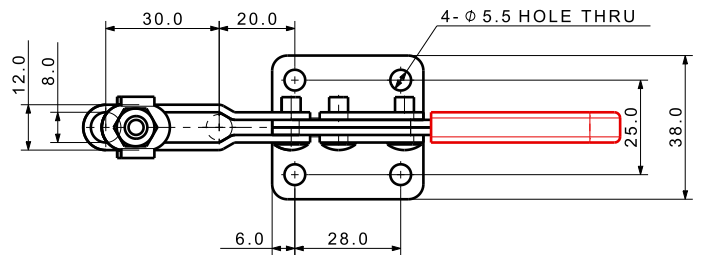
Model No. **KJF-009-21FS**

\* Material : Stainless Steel



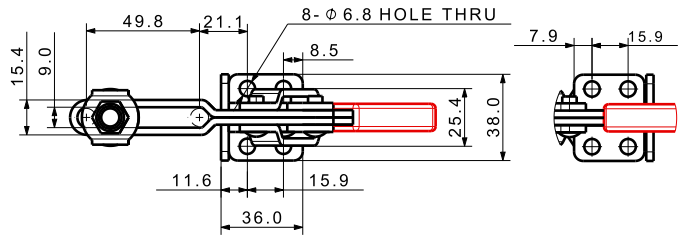
Holding Capacity(kgf)	90	Spindle Adjust.(mm)	36
Weight(g)	124	Arm Type	U
Handle Move	64°	Arm Length	Short
Arm Move	79°	Base Type	Flange
Spindle Supplied	M6 x 58.0L	Base Height	Low

Model No. **KJF-010-21F**

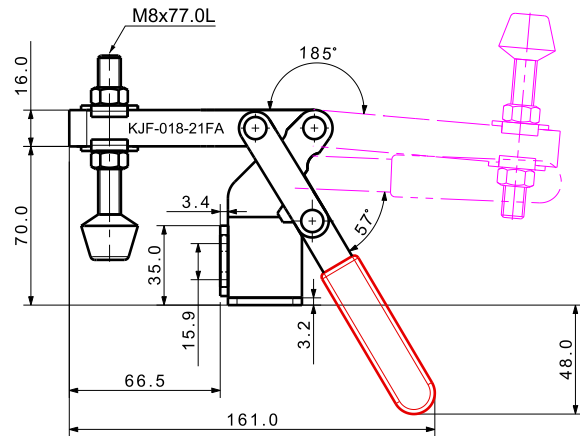


Holding Capacity(kgf)	100	Spindle Adjust.(mm)	30
Weight(g)	137	Arm Type	U
Handle Move	75°	Arm Length	Short
Arm Move	67°	Base Type	Flange
Spindle Supplied	M6 x 58.0L	Base Height	Low

Model No. KJF-018-21FA

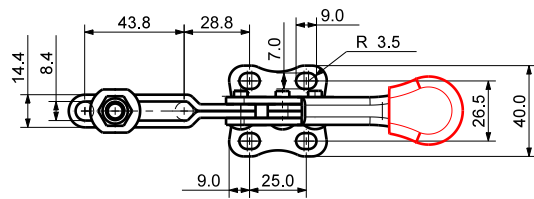


\* 2 Touch Type  
 핸들과 암을 함께 작동해야 함.



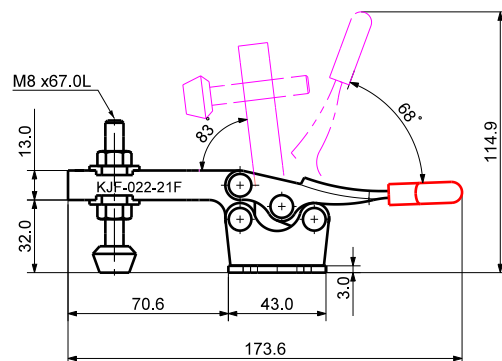
Holding Capacity(kgf)	180	Spindle Adjust.(mm)	50
Weight(g)	441	Arm Type	U
Handle Move	57°	Arm Length	Short
Arm Move	185°	Base Type	Angle
Spindle Supplied	M8 x 77.0L	Base Height	Low

Model No. KJF-022-21F



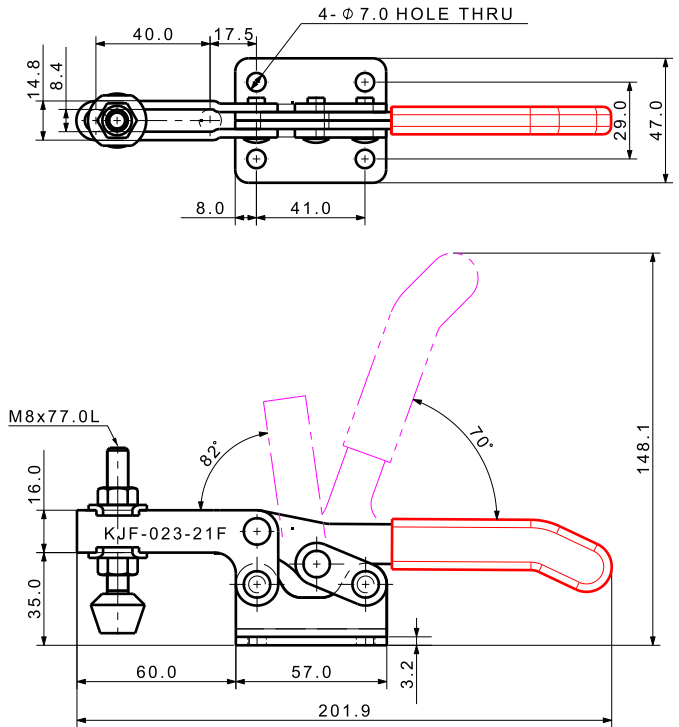
Model No. KJF-022-21FS

\* Material : Stainless Steel



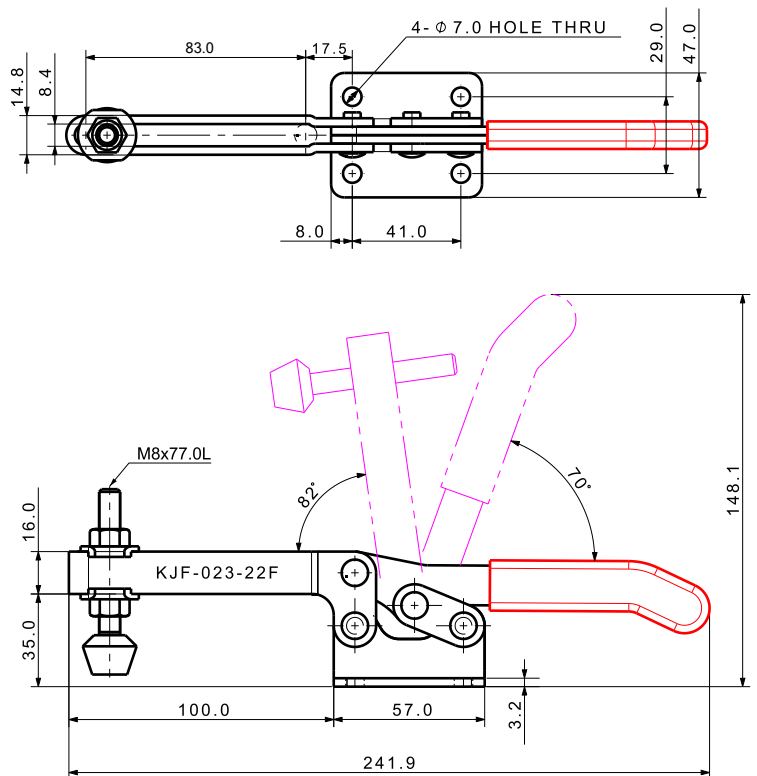
Holding Capacity(kgf)	220	Spindle Adjust.(mm)	44
Weight(g)	257	Arm Type	U
Handle Move	68°	Arm Length	Short
Arm Move	83°	Base Type	Flange
Spindle Supplied	M8 x 67.0L	Base Height	Low

Model No. **KJF-023-21F**



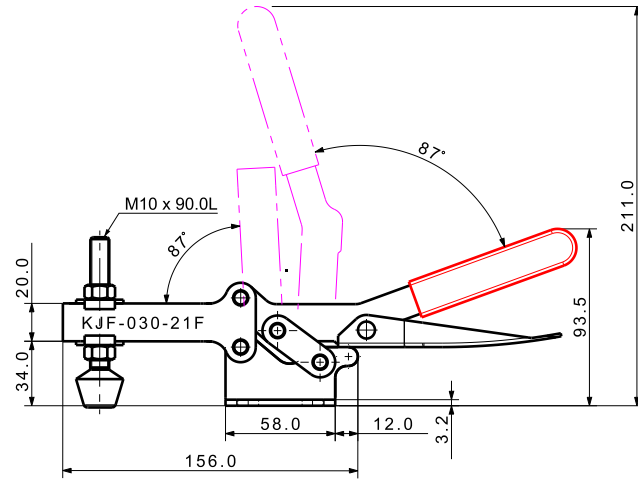
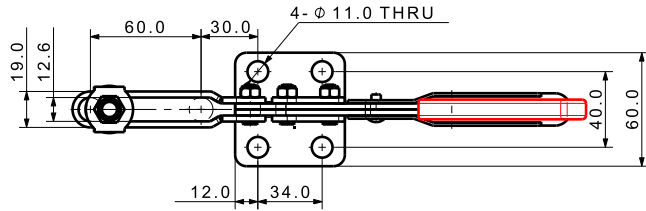
Holding Capacity(kgf)	230	Spindle Adjust.(mm)	40
Weight(g)	394	Arm Type	U
Handle Move	70°	Arm Length	Short
Arm Move	82°	Base Type	Flange
Spindle Supplied	M8 x 77.0L	Base Height	Low

Model No. **KJF-023-22F**



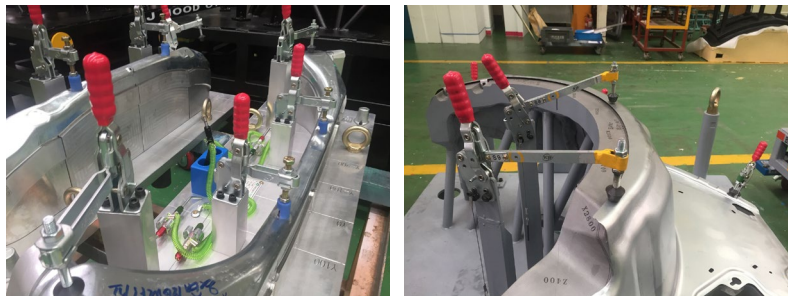
Holding Capacity(kgf)	230	Spindle Adjust.(mm)	80
Weight(g)	426	Arm Type	U
Handle Move	70°	Arm Length	Long
Arm Move	82°	Base Type	Flange
Spindle Supplied	M8 x 77.0L	Base Height	Low

Model No. KJF-030-21F



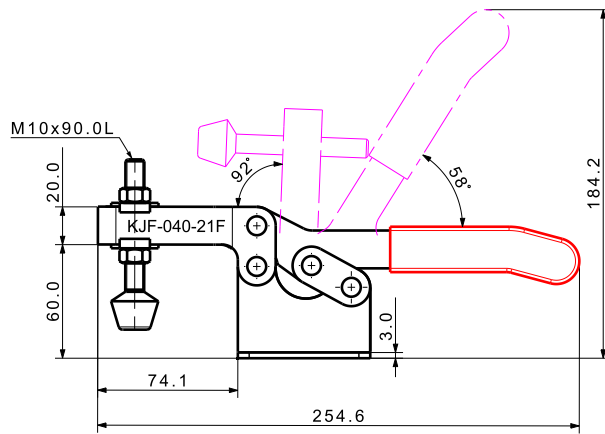
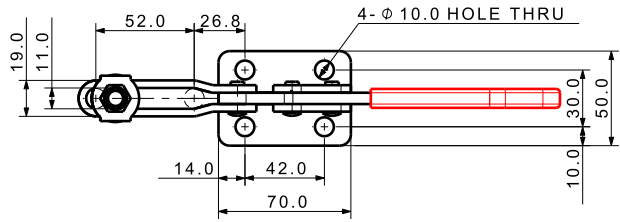
Holding Capacity(kgf)	300	Spindle Adjust.(mm)	60
Weight(g)	621	Arm Type	U
Handle Move	87°	Arm Length	Short
Arm Move	87°	Base Type	Flange
Spindle Supplied	M10 x 90.0L	Base Height	Low

Fastening or supporting automotive parts to machine, assemble or check



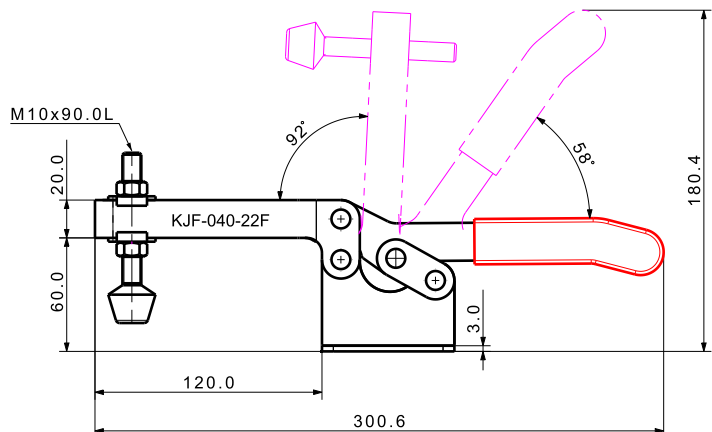
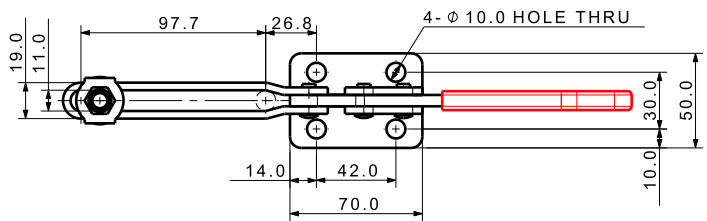


Model No. **KJF-040-21F**



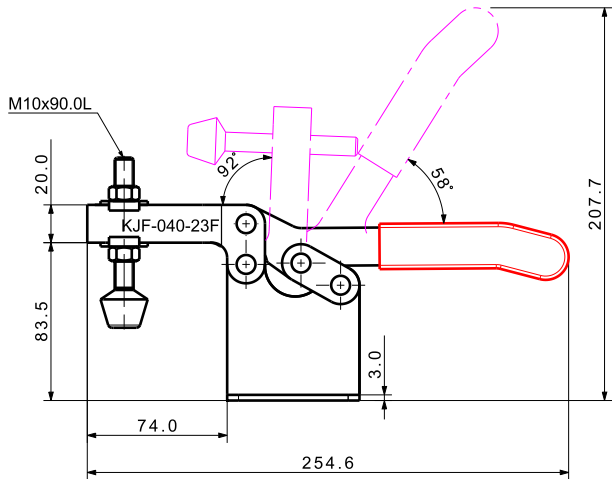
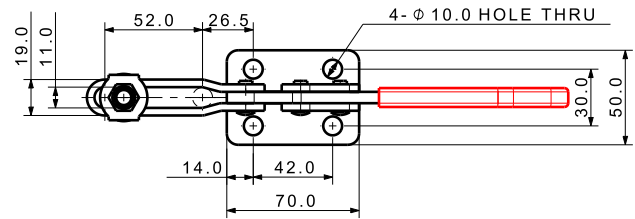
Holding Capacity(kgf)	400	Spindle Adjust.(mm)	52
Weight(g)	661	Arm Type	U
Handle Move	58°	Arm Length	Short
Arm Move	92°	Base Type	Flange
Spindle Supplied	M10 x 90.0L	Base Height	Low

Model No. **KJF-040-22F**



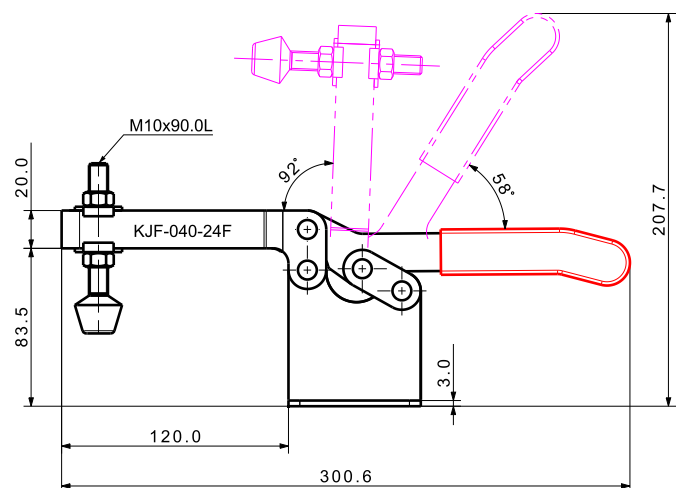
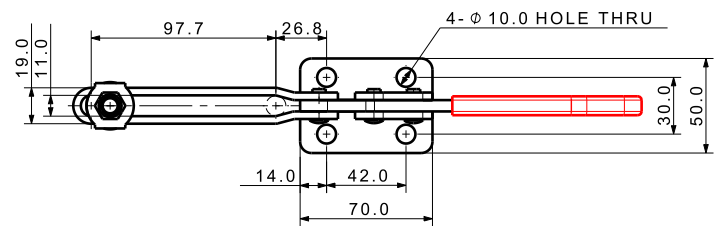
Holding Capacity(kgf)	400	Spindle Adjust.(mm)	98
Weight(g)	710	Arm Type	U
Handle Move	58°	Arm Length	Long
Arm Move	92°	Base Type	Flange
Spindle Supplied	M10 x 90.0L	Base Height	Low

Model No. **KJF-040-23F**



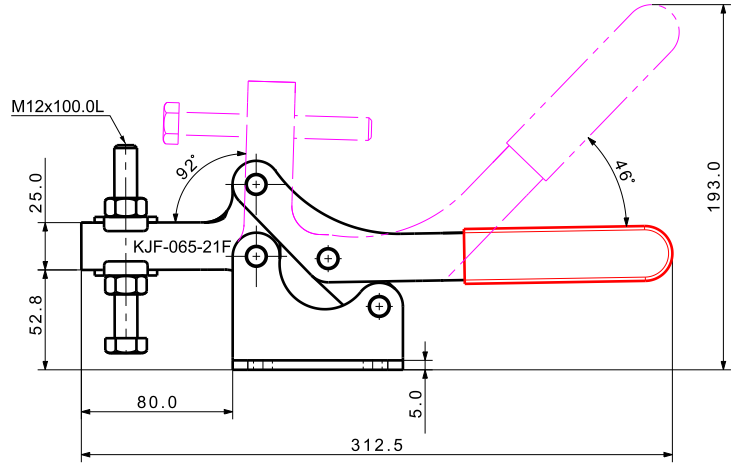
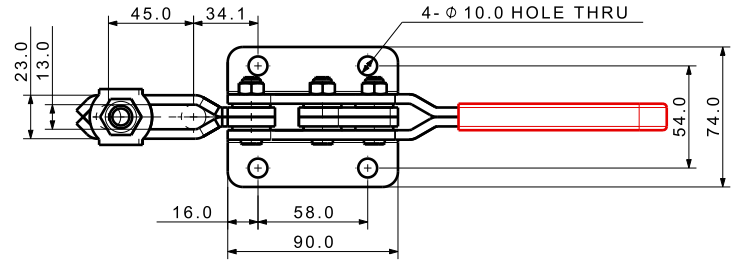
Holding Capacity(kgf)	400	Spindle Adjust.(mm)	52
Weight(g)	734	Arm Type	U
Handle Move	58°	Arm Length	Short
Arm Move	92°	Base Type	Flange
Spindle Supplied	M10 x 90.0L	Base Height	High

Model No. **KJF-040-24F**



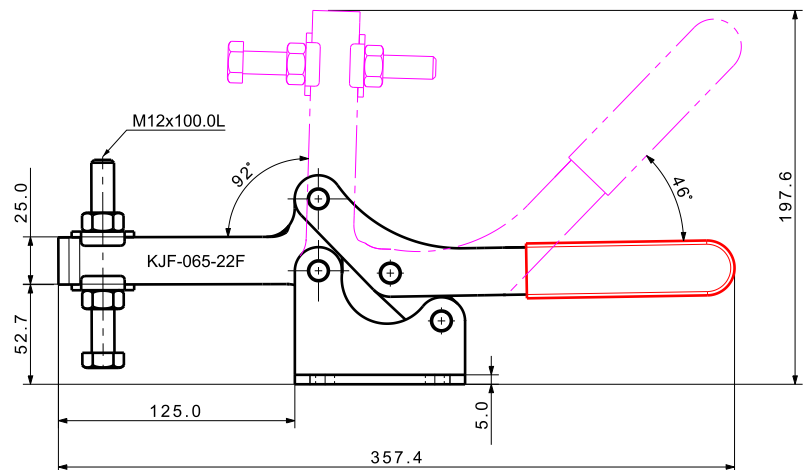
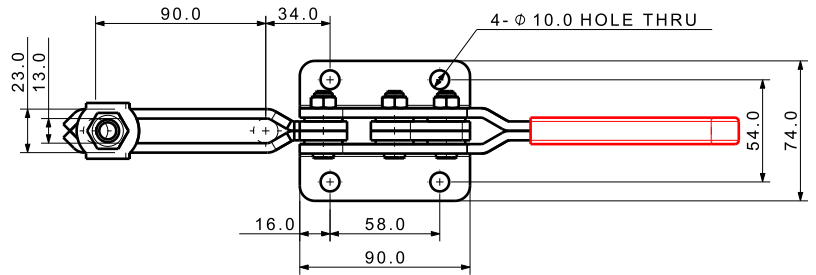
Holding Capacity(kgf)	400	Spindle Adjust.(mm)	98
Weight(g)	791	Arm Type	U
Handle Move	58°	Arm Length	Long
Arm Move	92°	Base Type	Flange
Spindle Supplied	M10 x 90.0L	Base Height	High

Model No. **KJF-065-21F**



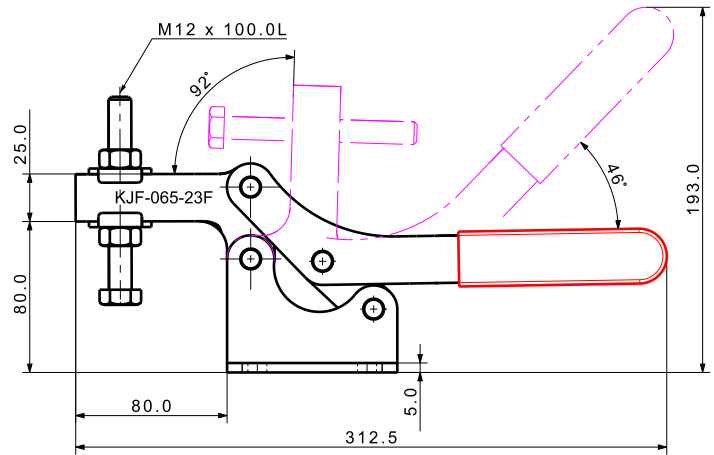
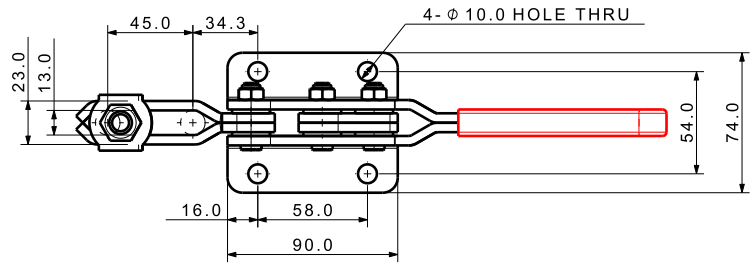
Holding Capacity(kgf)	650	Spindle Adjust.(mm)	45
Weight(g)	1590	Arm Type	U
Handle Move	46°	Arm Length	Short
Arm Move	92°	Base Type	Flange
Spindle Supplied	M12 x 100.0L	Base Height	Low

Model No. **KJF-065-22F**



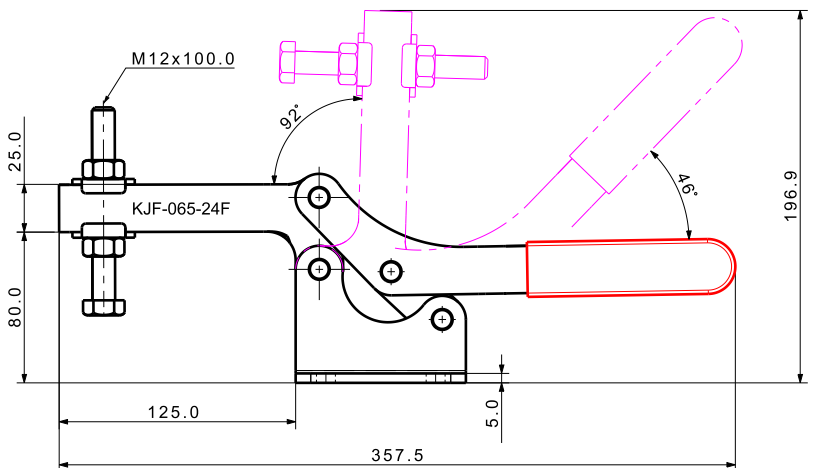
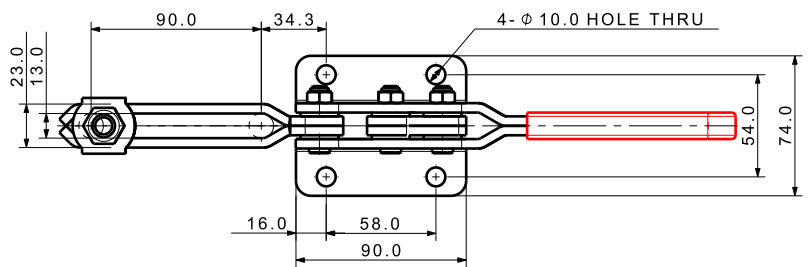
Holding Capacity(kgf)	650	Spindle Adjust.(mm)	90
Weight(g)	1670	Arm Type	U
Handle Move	46°	Arm Length	Long
Arm Move	92°	Base Type	Flange
Spindle Supplied	M12 x 100.0L	Base Height	Low

Model No. **KJF-065-23F**



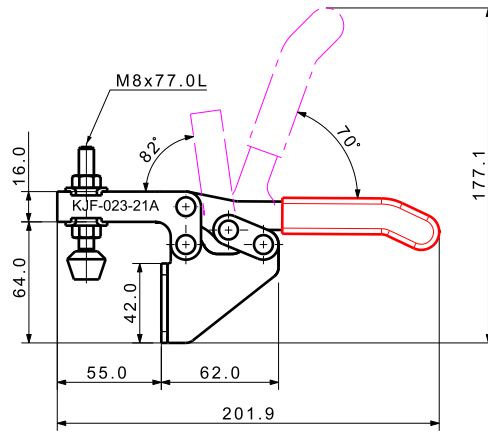
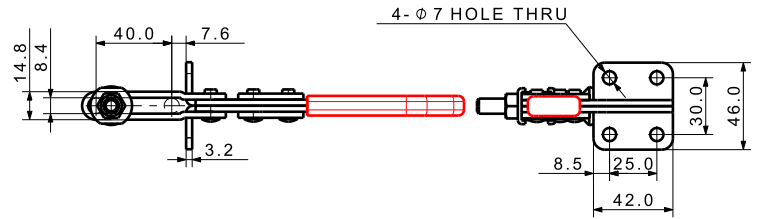
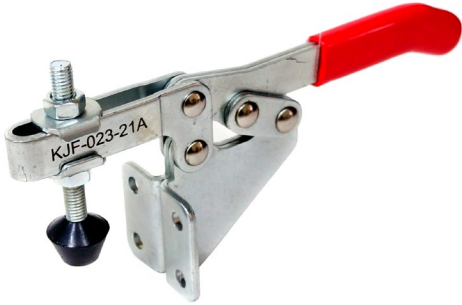
Holding Capacity(kgf)	650	Spindle Adjust.(mm)	45
Weight(g)	1590	Arm Type	U
Handle Move	46°	Arm Length	Short
Arm Move	92°	Base Type	Flange
Spindle Supplied	M12 x 100.0L	Base Height	High

Model No. **KJF-065-24F**



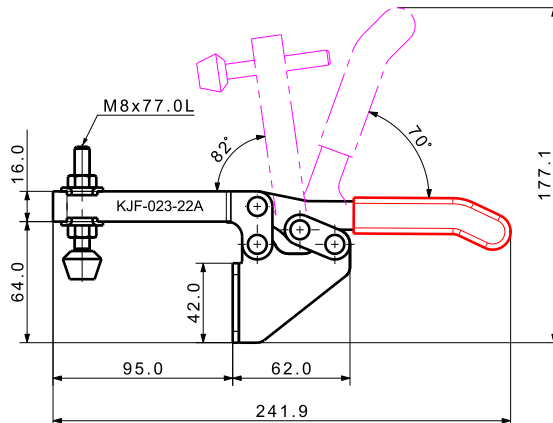
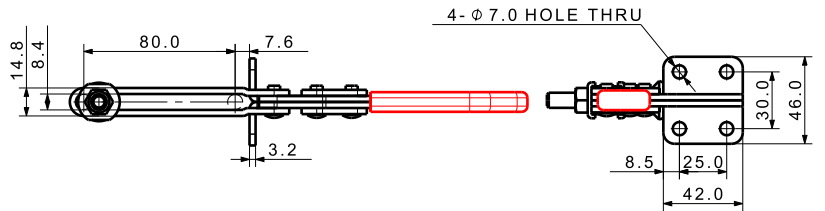
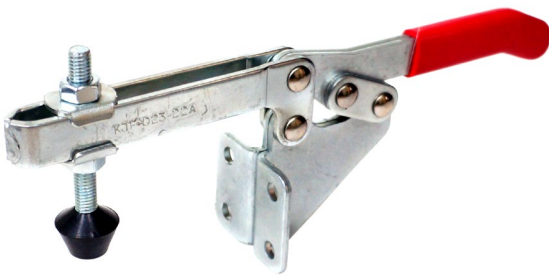
Holding Capacity(kgf)	650	Spindle Adjust.(mm)	90
Weight(g)	1680	Arm Type	U
Handle Move	46°	Arm Length	Long
Arm Move	92°	Base Type	Flange
Spindle Supplied	M12 x 100.0L	Base Height	High

Model No. **KJF-023-21A**



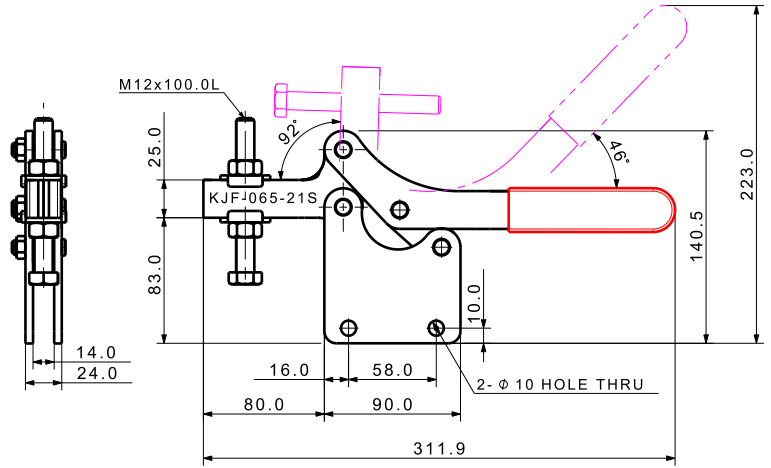
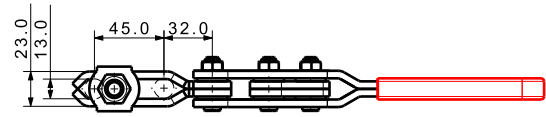
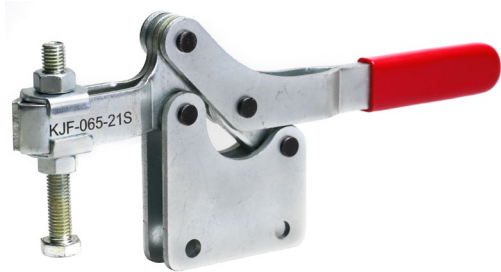
Holding Capacity(kgf)	230	Spindle Adjust.(mm)	40
Weight(g)	429	Arm Type	U
Handle Move	70°	Arm Length	Short
Arm Move	82°	Base Type	Angle
Spindle Supplied	M8 x 77.0L	Base Height	Low

Model No. **KJF-023-22A**



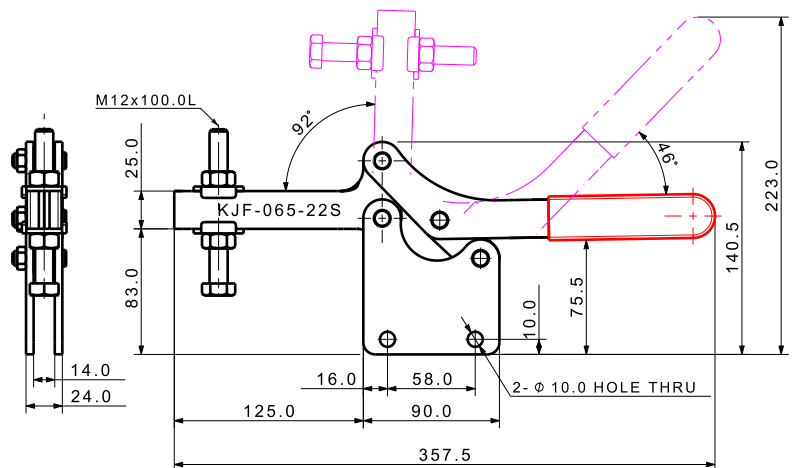
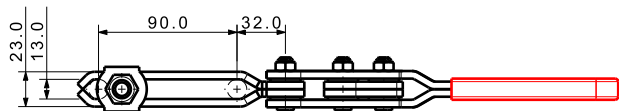
Holding Capacity(kgf)	230	Spindle Adjust.(mm)	80
Weight(g)	460	Arm Type	U
Handle Move	70°	Arm Length	Long
Arm Move	82°	Base Type	Angle
Spindle Supplied	M8 x 77.0L	Base Height	Low

Model No. **KJF-065-21S**



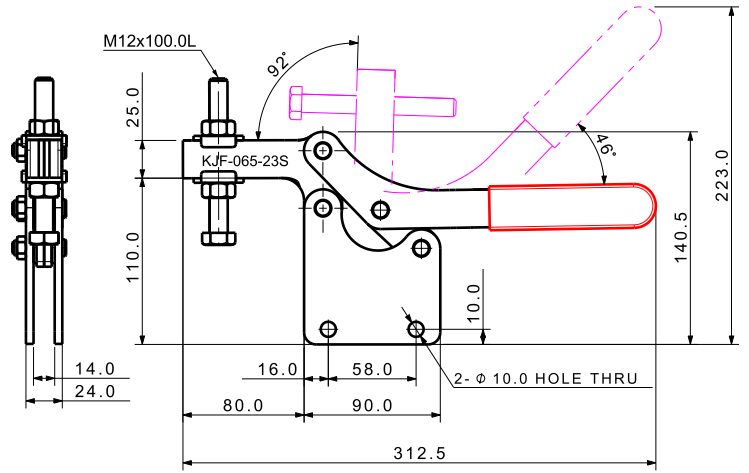
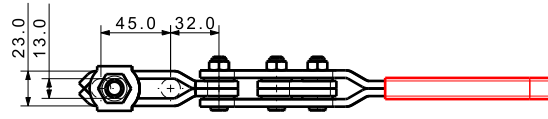
Holding Capacity(kgf)	650	Spindle Adjust.(mm)	45
Weight(g)	1580	Arm Type	U
Handle Move	46°	Arm Length	Short
Arm Move	92°	Base Type	Straight
Spindle Supplied	M12 x 100.0L	Base Height	Low

Model No. **KJF-065-22S**



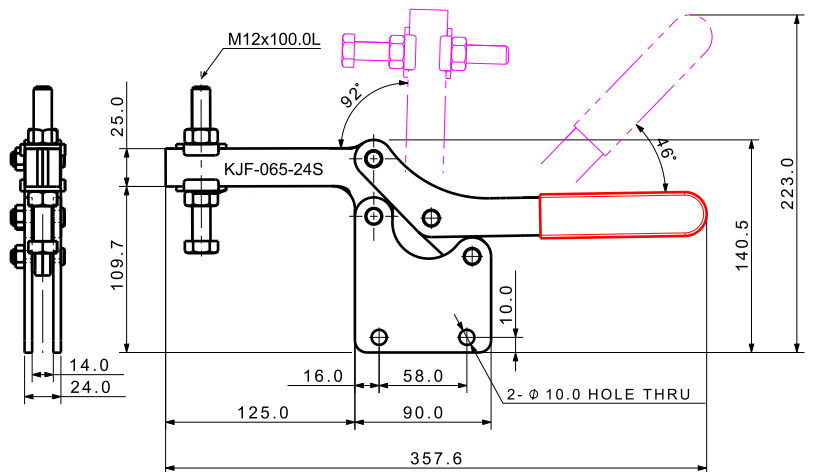
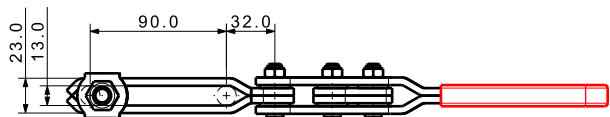
Holding Capacity(kgf)	650	Spindle Adjust.(mm)	90
Weight(g)	1670	Arm Type	U
Handle Move	46°	Arm Length	Long
Arm Move	92°	Base Type	Straight
Spindle Supplied	M12 x 100.0L	Base Height	Low

Model No. **KJF-065-23S**



Holding Capacity(kgf)	650	Spindle Adjust.(mm)	45
Weight(g)	1570	Arm Type	U
Handle Move	46°	Arm Length	Short
Arm Move	92°	Base Type	Straight
Spindle Supplied	M12 x 100.0L	Base Height	High

Model No. **KJF-065-24S**

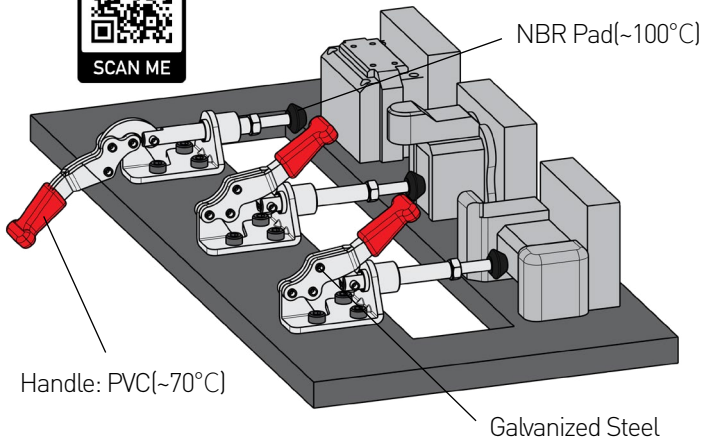


Holding Capacity(kgf)	650	Spindle Adjust.(mm)	90
Weight(g)	1670	Arm Type	U
Handle Move	46°	Arm Length	Long
Arm Move	92°	Base Type	Straight
Spindle Supplied	M12 x 100.0L	Base Height	High

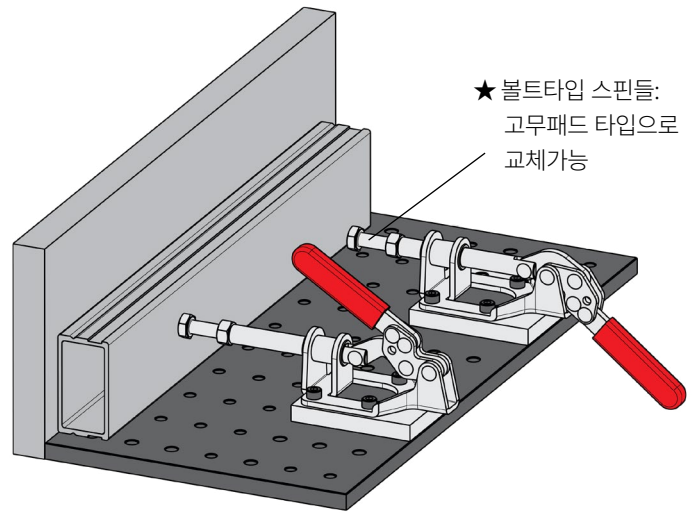




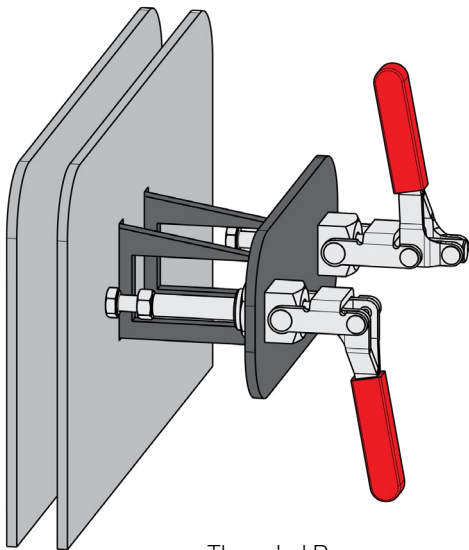
# Push / Pull Type



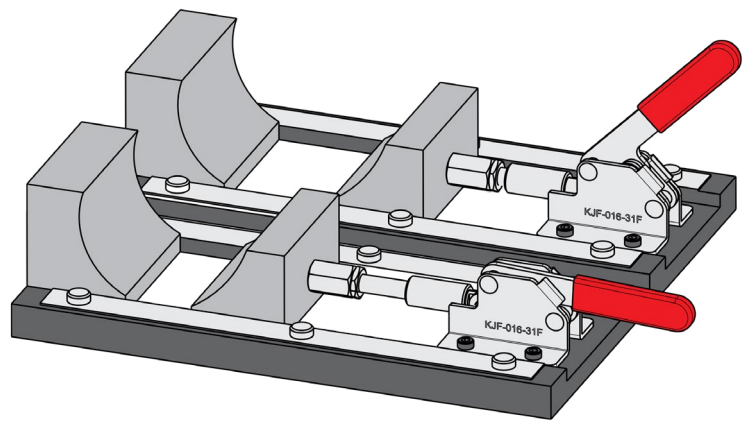
Flange Base



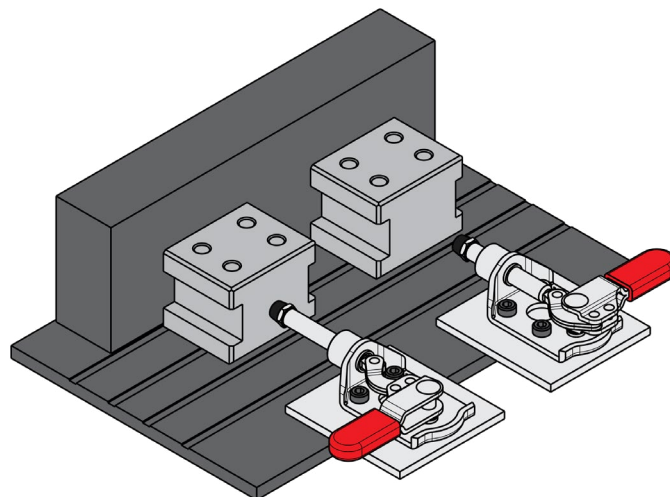
Flange Base



Threaded Base

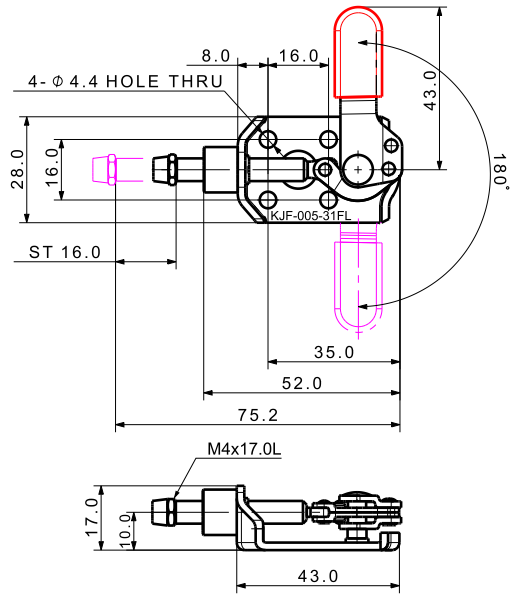


Horizontal Handle



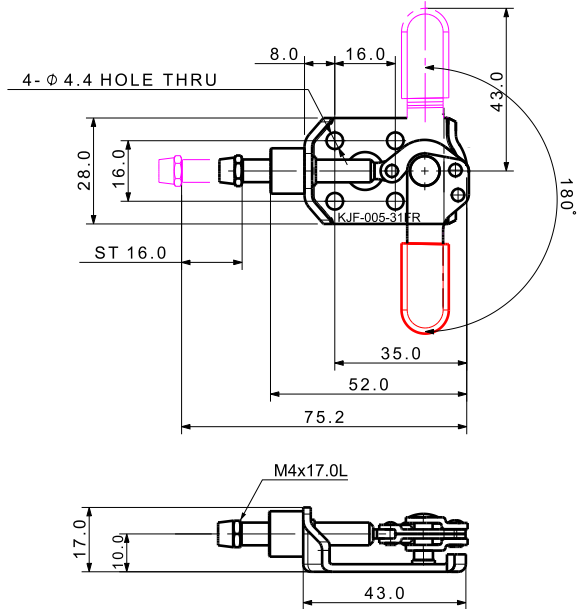
Side Handle (005-31FL)

Model No. KJF-005-31FL



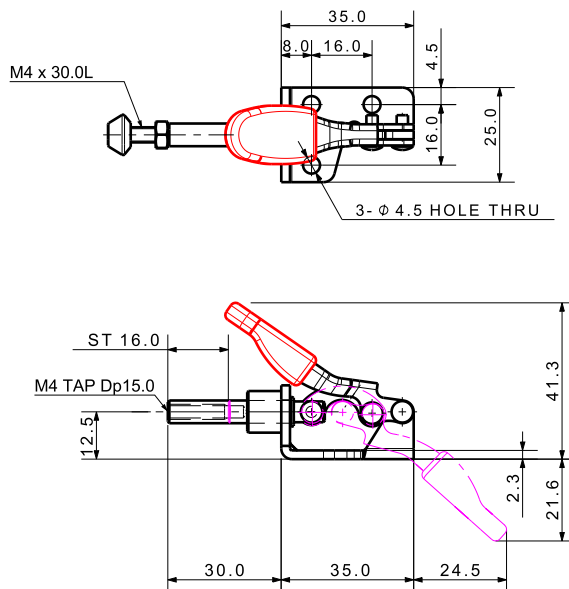
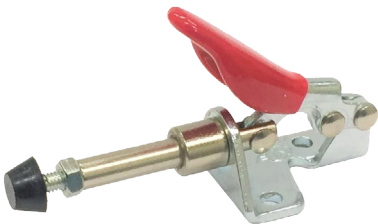
Holding Capacity(kgf)	50	Spindle Supplied	M4 x 17.0L
Weight(g)	52	Rod Stroke(mm)	16
Handle Move	180°	Base Type	Flange

Model No. KJF-005-31FR



Holding Capacity(kgf)	50	Spindle Supplied	M4 x 17.0L
Weight(g)	52	Rod Stroke(mm)	16
Handle Move	180°	Base Type	Flange

Model No. KJF-005-31F



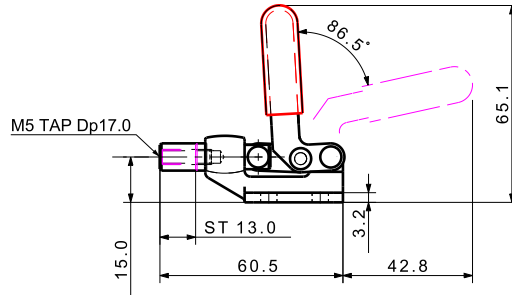
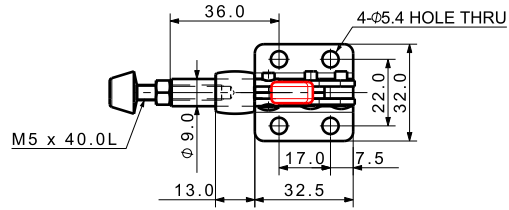
Holding Capacity(kgf)	50	Spindle Supplied	M4 x 30.0L
Weight(g)	43	Rod Stroke(mm)	16
Handle Move	177°	Base Type	Flange

Model No. KJF-010-31F



\* 이 제품은 밀기(Push) 전용임!  
\* Use it exclusively for Push Type!

Holding Capacity(kgf)	100	Spindle Supplied	M5 x 40.0L
Weight(g)	106	Rod Stroke(mm)	13
Handle Move	87°	Base Type	Flange

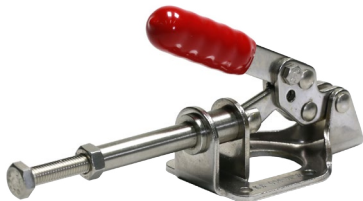


Model No. KJF-014-31F

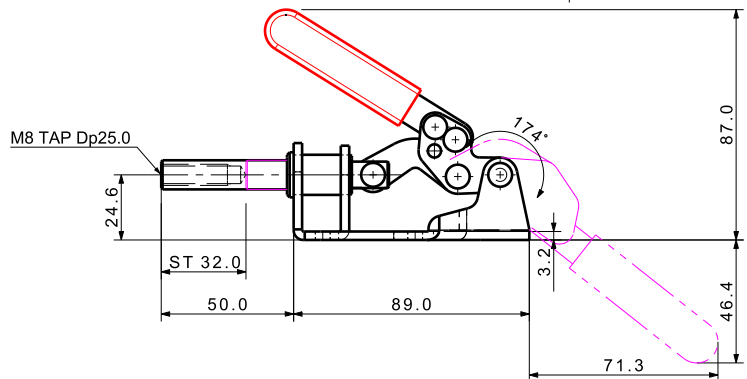
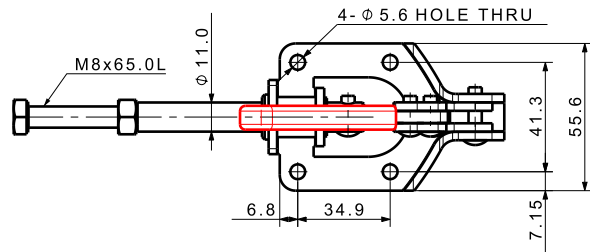


Model No. KJF-014-31FSR

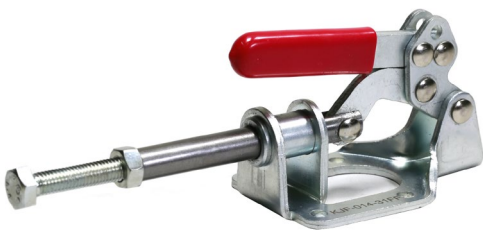
\* Material : Stainless Steel



Holding Capacity(kgf)	140	Spindle Supplied	M8 x 65.0L
Weight(g)	305	Rod Stroke(mm)	32
Handle Move	174°	Base Type	Flange

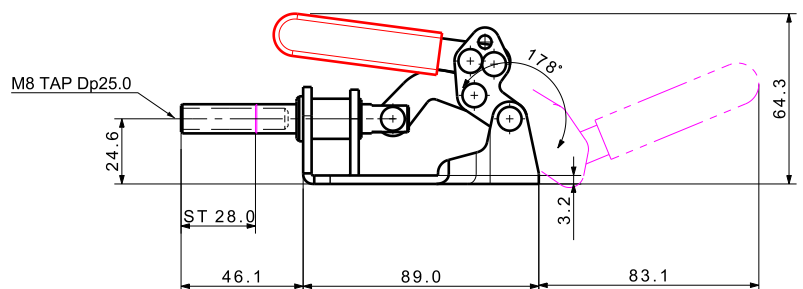
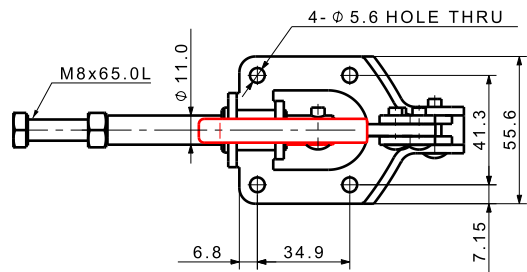


Model No. KJF-014-31FF

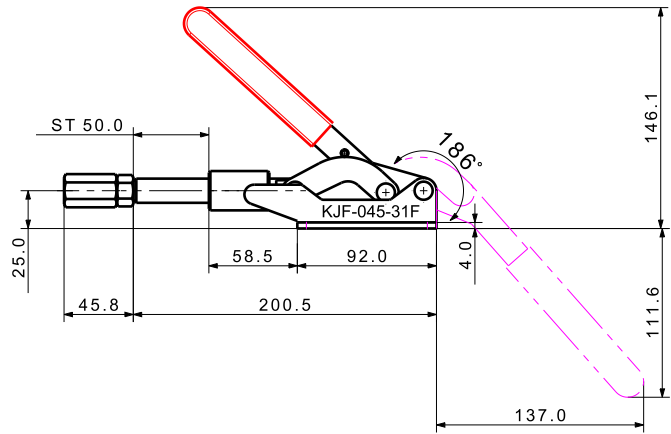
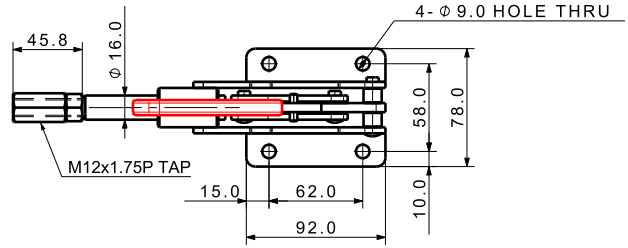


\* 이 제품은 당기기(Pull) 전용임!  
\* Use it exclusively for Pull Type!

Holding Capacity(kgf)	140	Spindle Supplied	M8 x 65.0L
Weight(g)	306	Rod Stroke(mm)	28
Handle Move	178°	Base Type	Flange

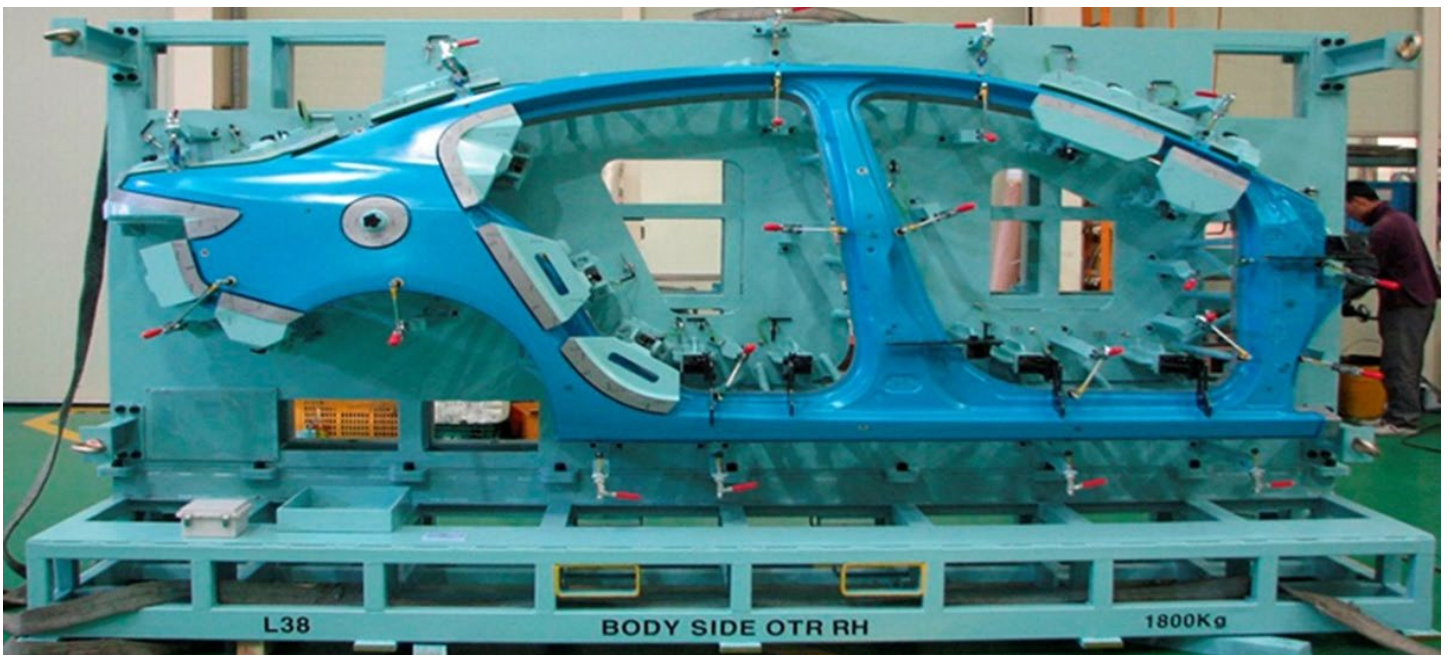
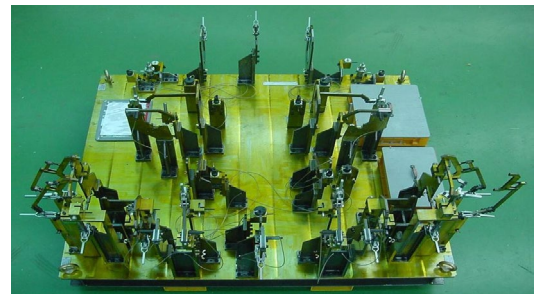
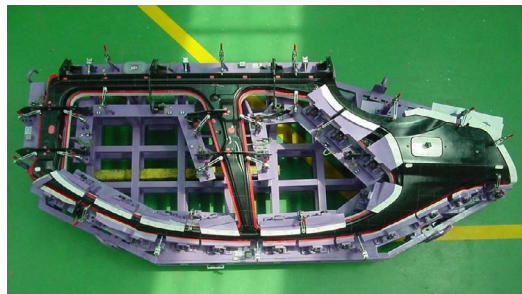


Model No. **KJF-045-31F**

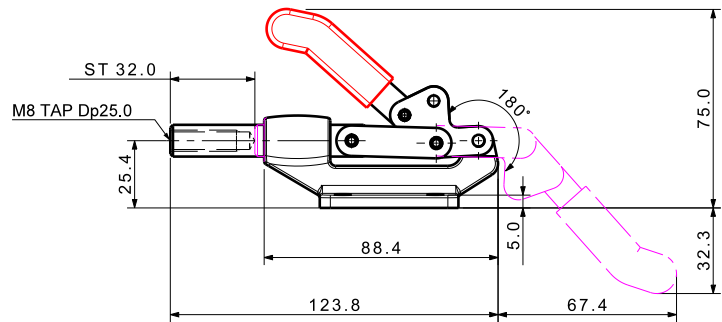
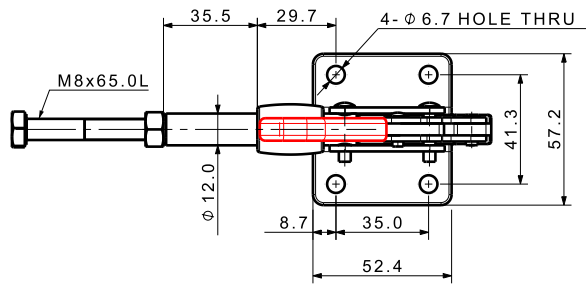


Holding Capacity(kgf)	450	Spindle Supplied	N / A
Weight(g)	925	Rod Stroke(mm)	50
Handle Move	186°	Base Type	Flange

Fastening or supporting automotive parts to machine, assemble or check

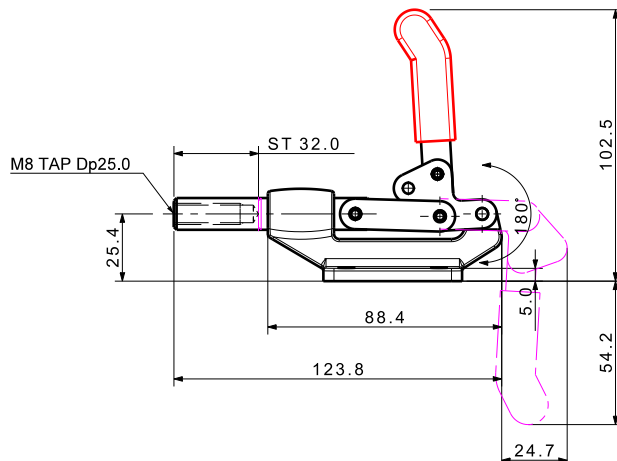
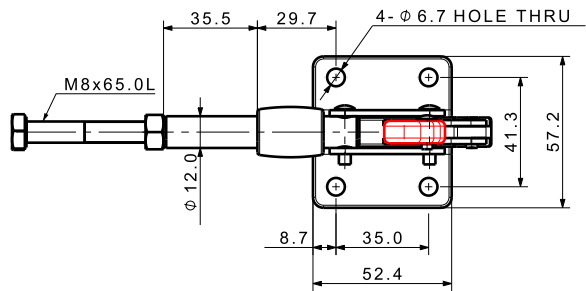


Model No. **KJF-023-31FD**



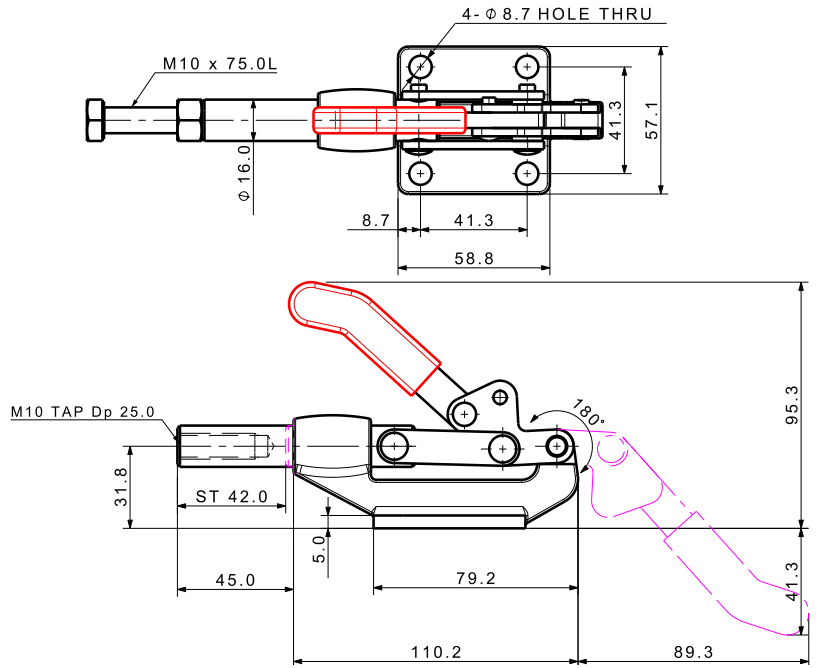
Holding Capacity(kgf)	230	Spindle Supplied	M8 x 65.0L
Weight(g)	351	Rod Stroke(mm)	32
Handle Mov	180°	Base Type	Flange

Model No. **KJF-023-31FS**



Holding Capacity(kgf)	230	Spindle Supplied	M8 x 65.0L
Weight(g)	360	Rod Stroke(mm)	32
Handle Move	180°	Base Type	Flange

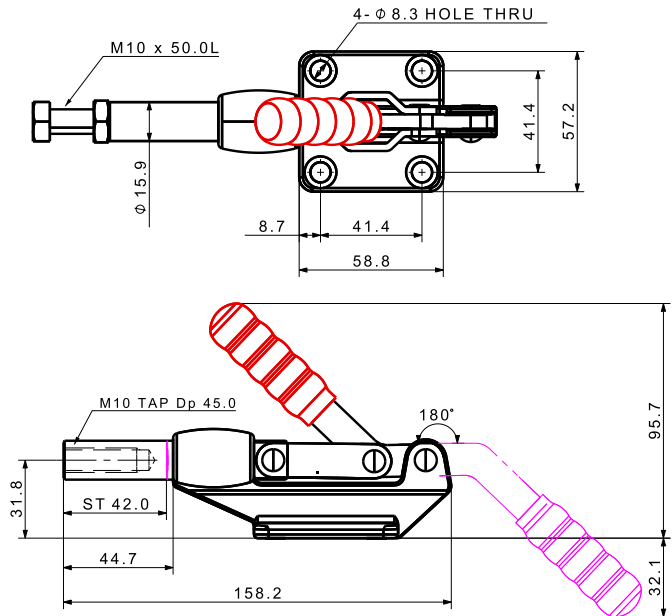
**Model No. KJF-040-31FD**



Holding Capacity(kgf)	400	Spindle Supplied	M10 x 75.0L
Weight(g)	641	Rod Stroke(mm)	42
Handle Move	180°	Base Type	Flange

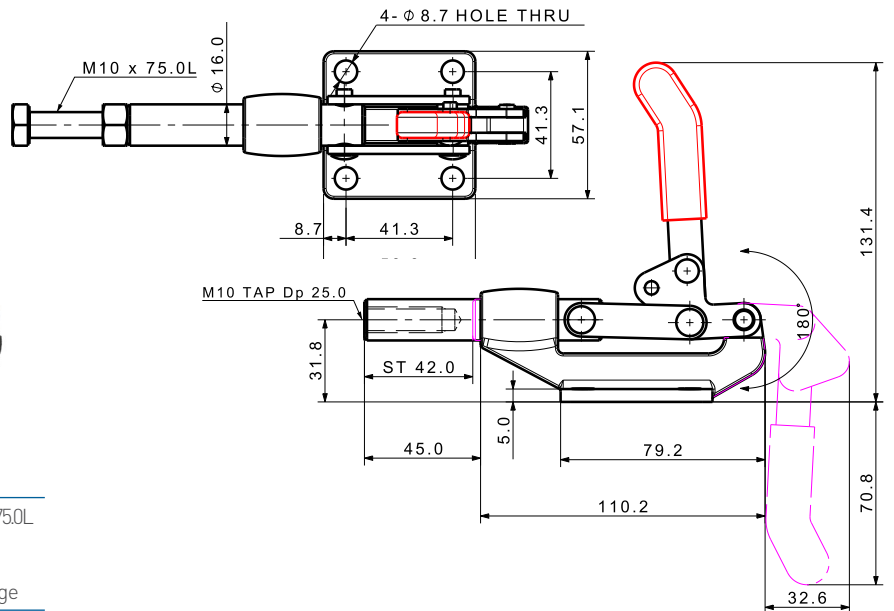
**Model No. KJF-040-31FSR**

\* Material : Stainless Steel



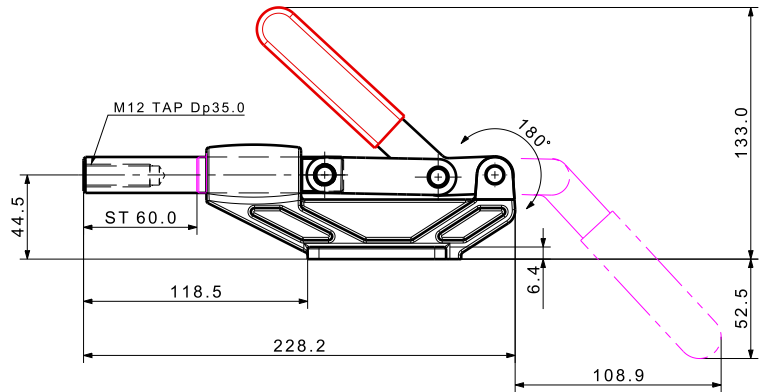
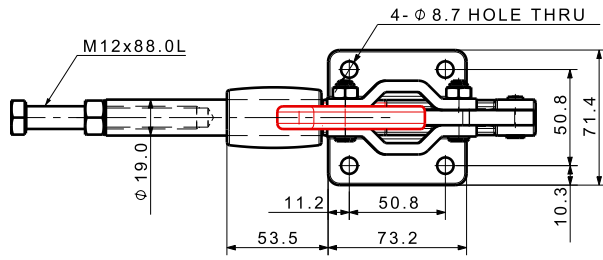
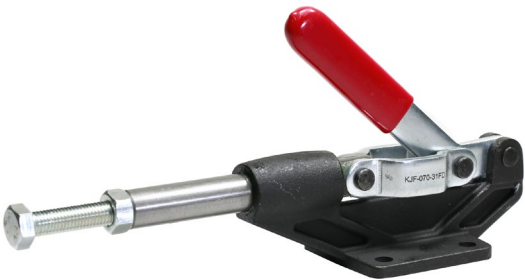
Holding Capacity(kgf)	400	Spindle Supplied	M10 x 50.0L
Weight(g)	600	Rod Stroke(mm)	42
Handle Move	180°	Base Type	Flange

**Model No. KJF-040-31FS**



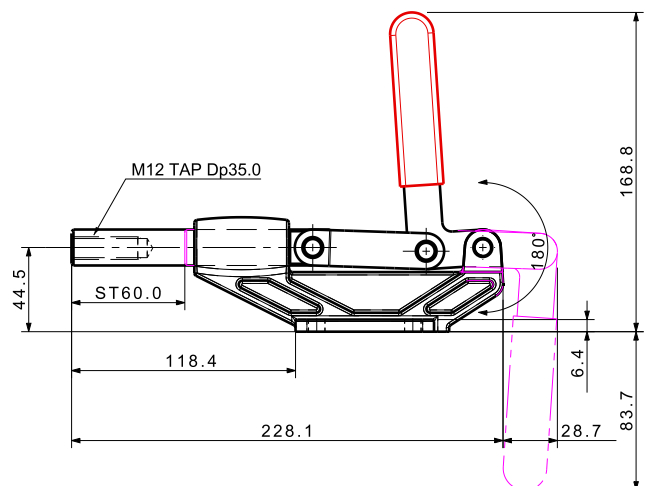
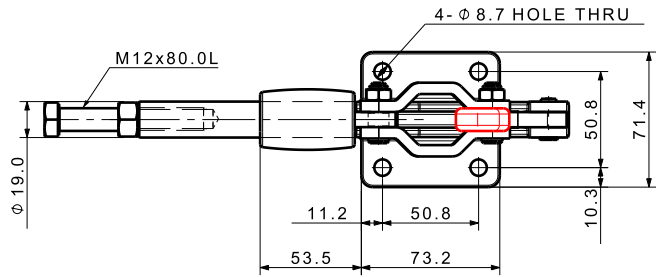
Holding Capacity(kgf)	400	Spindle Supplied	M10 x 75.0L
Weight(g)	649	Rod Stroke(mm)	42
Handle Move	180°	Base Type	Flange

Model No. **KJF-070-31FD**



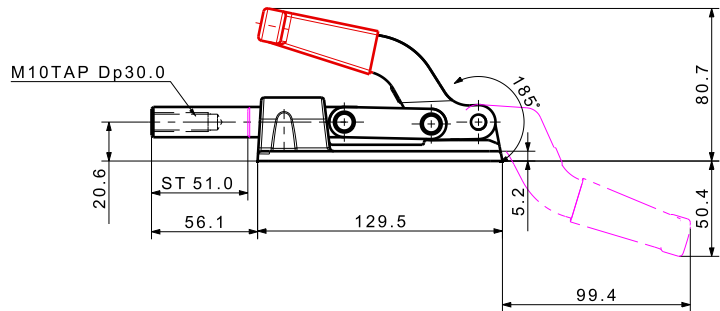
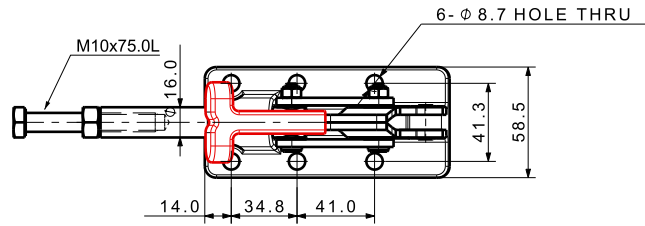
Holding Capacity(kgf)	700	Spindle Supplied	M12x80.0L
Weight(g)	1420	Rod Stroke(mm)	60
Handle Move	180°	Base Type	Flange

Model No. **KJF-070-31FS**



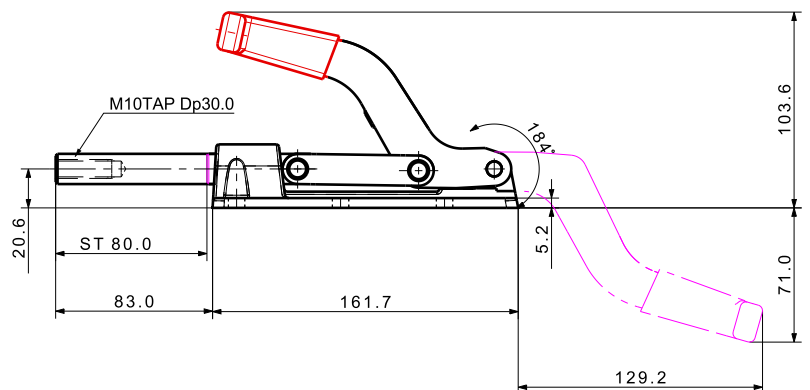
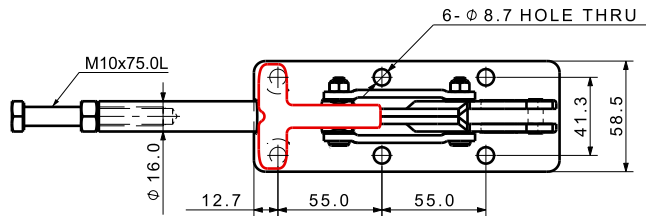
Holding Capacity(kgf)	700	Spindle Supplied	M12x80.0L
Weight(g)	1430	Rod Stroke(mm)	60
Handle Move	180°	Base Type	Flange

Model No. KJF-120-31F



Holding Capacity(kgf)	1200	Spindle Supplied	M10 x 75.0L
Weight(g)	926	Rod Stroke(mm)	51
Handle Move	185°	Base Type	Flange

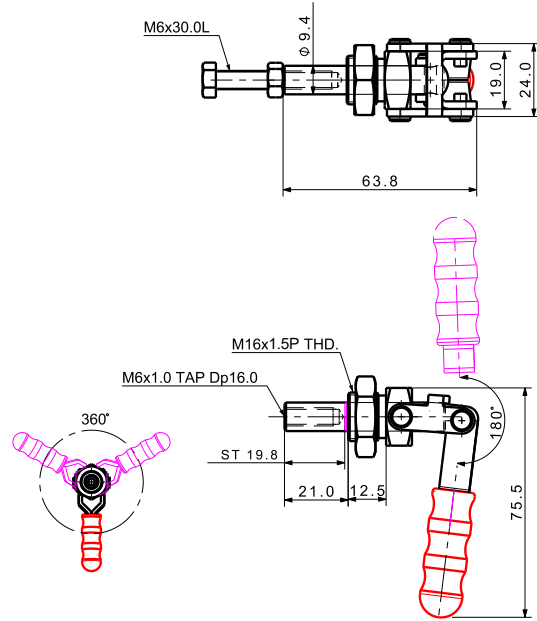
Model No. KJF-120-32F



Holding Capacity(kgf)	1200	Spindle Supplied	M10 x 75.0L
Weight(g)	1130	Rod Stroke(mm)	80
Handle Move	184°	Base Type	Flange

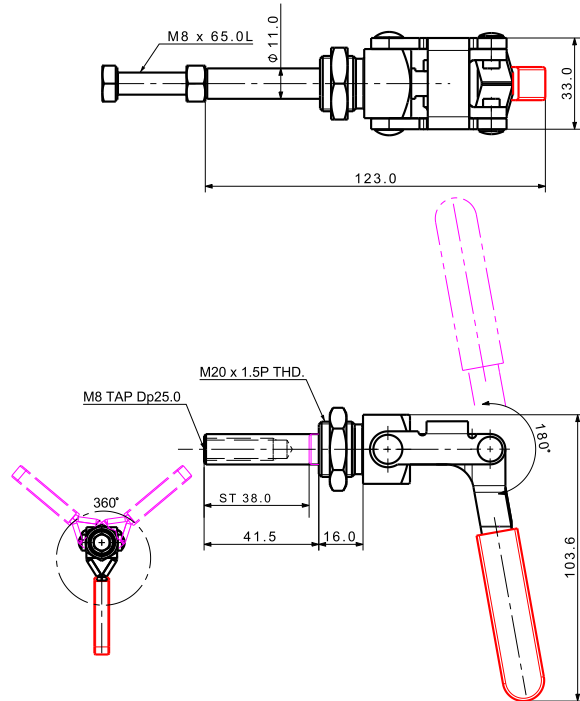
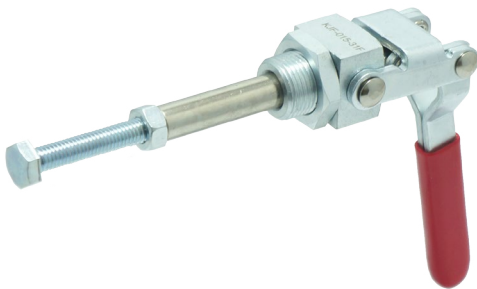


Model No. **KJF-008-31F**



Holding Capacity(kgf)	80	Spindle Supplied	M6 x 30.0L
Weight(g)	118	Rod Stroke(mm)	20
Handle Move	180°	Base Type	Threaded

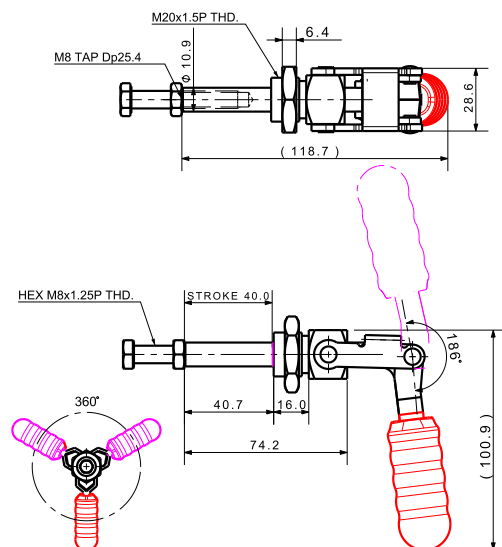
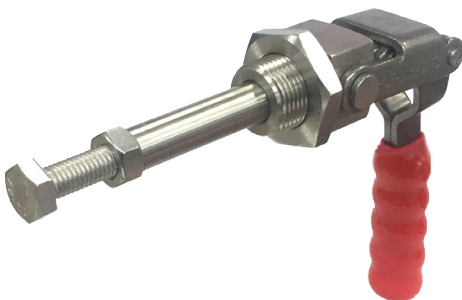
Model No. **KJF-015-31F**



Holding Capacity(kgf)	150	Spindle Supplied	M8 x 65.0L
Weight(g)	299	Rod Stroke(mm)	38
Handle Move	180°	Base Type	Threaded

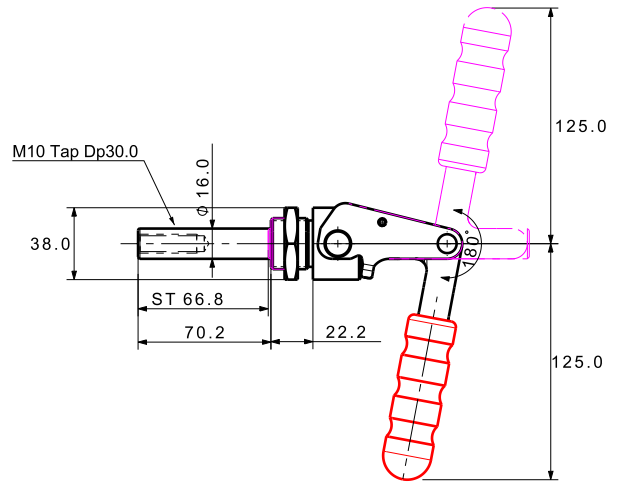
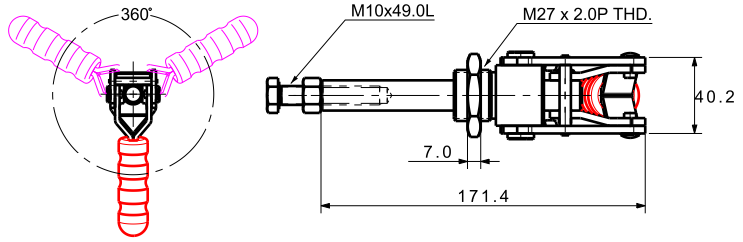
Model No. **KJF-015-31FS**

\* Material : Stainless Steel



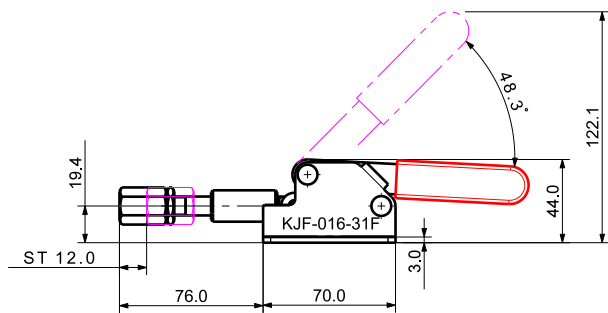
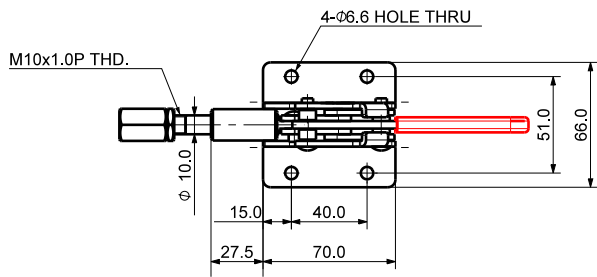
Holding Capacity(kgf)	150	Spindle Supplied	M8 x 50L
Weight(g)	281	Rod Stroke(mm)	40
Handle Move	186°	Base Type	Threaded

Model No. **KJF-030-31F**



Holding Capacity(kgf)	300	Spindle Supplied	M10 x 49.0L
Weight(g)	830	Rod Stroke(mm)	67
Handle Move	180°	Base Type	Threaded

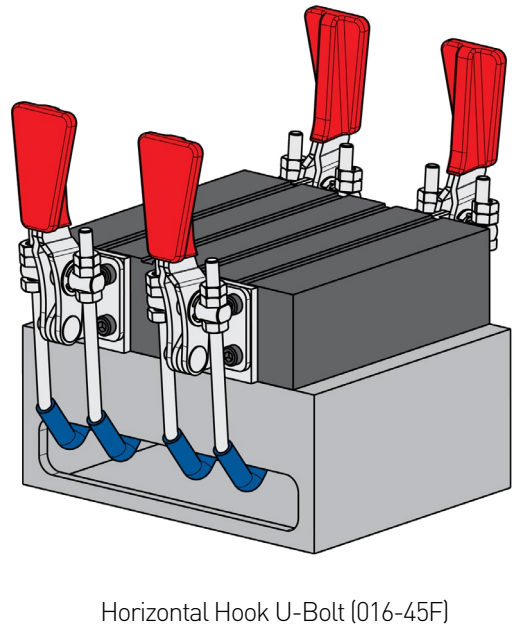
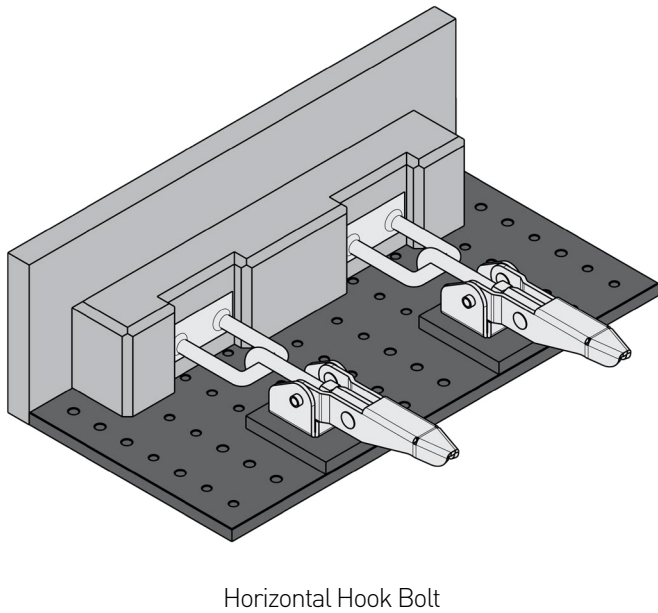
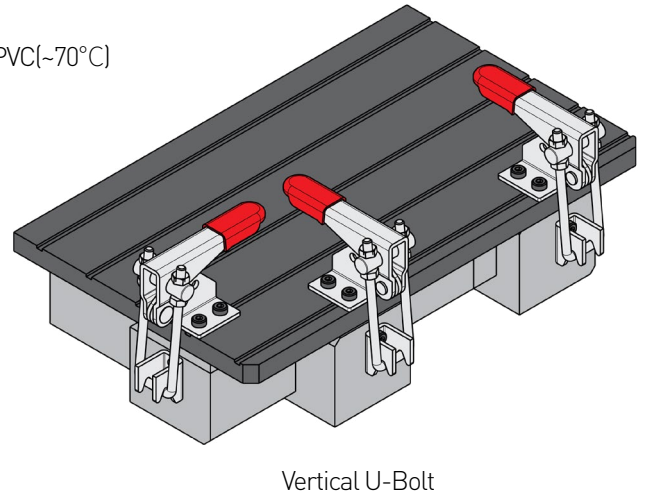
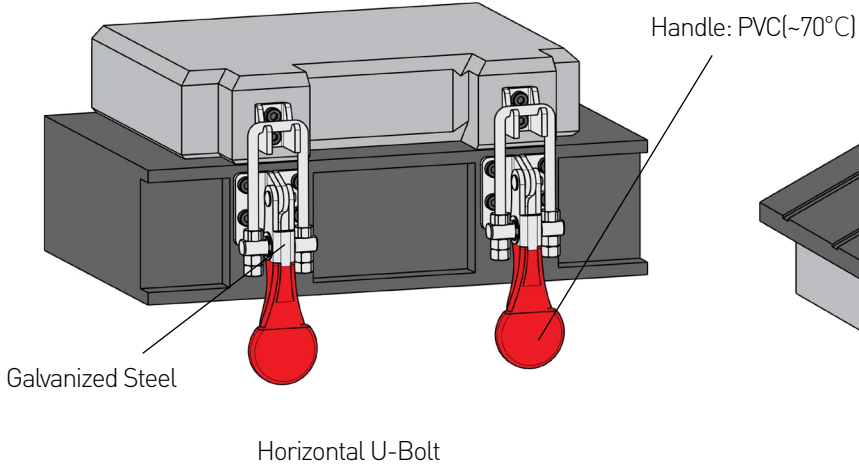
Model No. **KJF-016-31F**



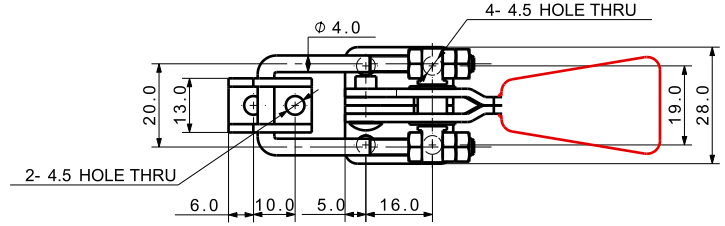
\* 이 제품은 밀기(Push) 전용임!  
\* Use it exclusively for Push Type!

Holding Capacity(kgf)	160	Spindle Supplied	N / A
Weight(g)	442	Rod Stroke(mm)	12
Handle Move	49°	Base Type	Flange

# Latch Type

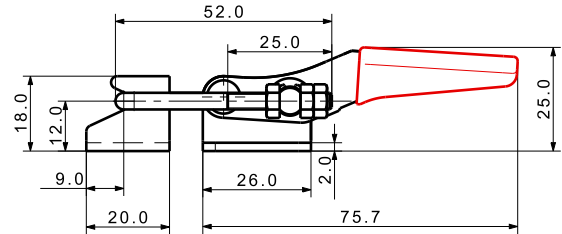


**Model No. KJF-016-41F**



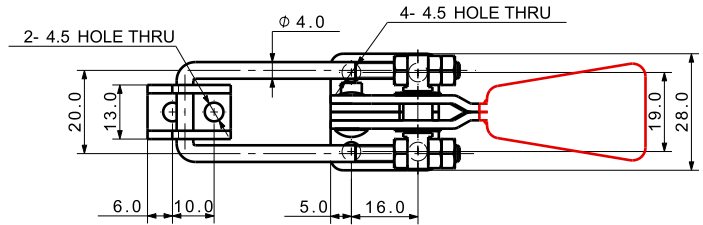
**Model No. KJF-016-41FS**

\* Material : Stainless Steel



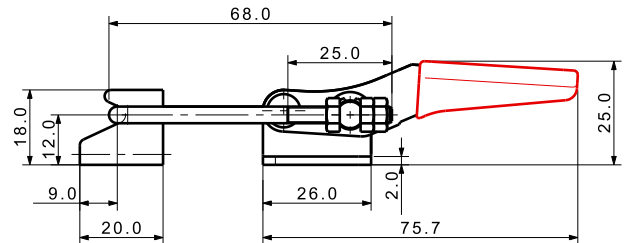
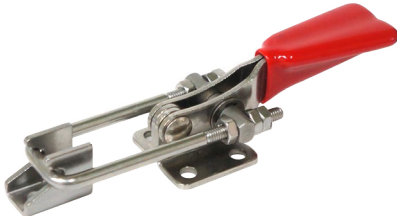
Holding Capacity(kgf)	160	U-bolt Adjust.(mm)	10
Weight(g)	79	Base Type	Flange

**Model No. KJF-016-42F**



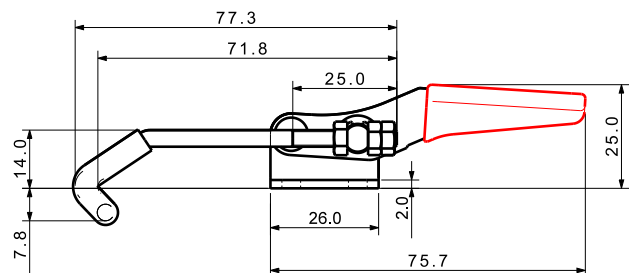
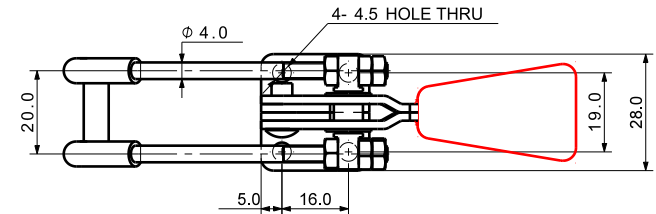
**Model No. KJF-016-42FS**

\* Material : Stainless Steel



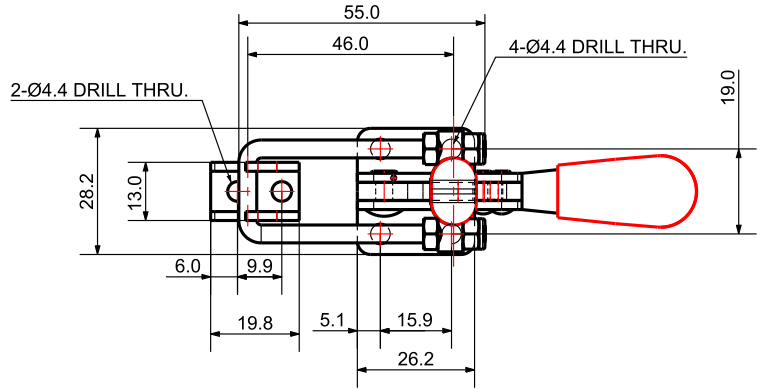
Holding Capacity(kgf)	160	U-bolt Adjust.(mm)	10
Weight(g)	83	Base Type	Flange

**Model No. KJF-016-45F**



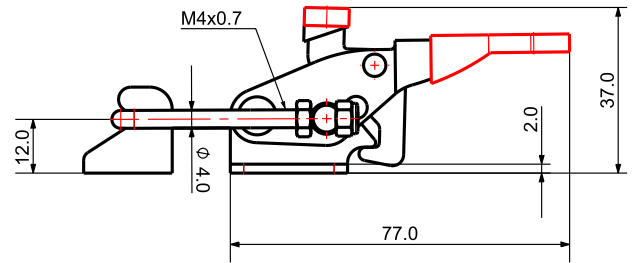
Holding Capacity(kgf)	160	U-bolt Adjust.(mm)	10
Weight(g)	85	Base Type	Flange

Model No. **KJF-016-41FL**



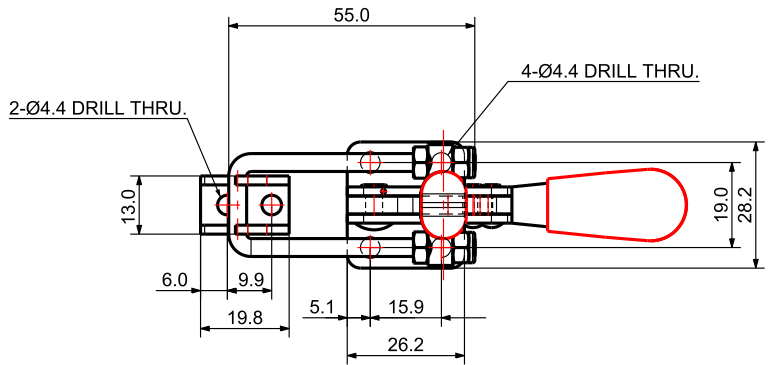
\* Lock Type

Holding Capacity(kgf)	160	U-bolt Adjust.(mm)	10
Weight(g)	90	Base Type	Flange



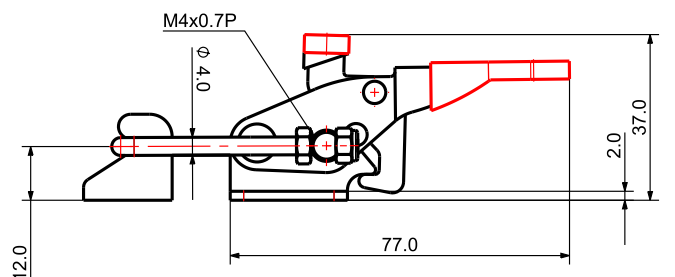
Model No. **KJF-016-41FSL**

\* Material : Stainless Steel

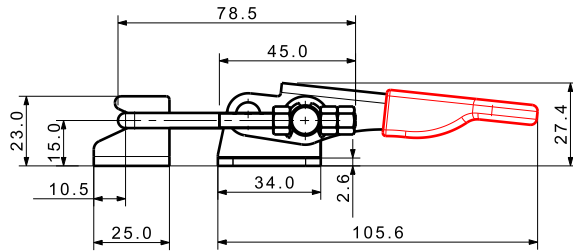
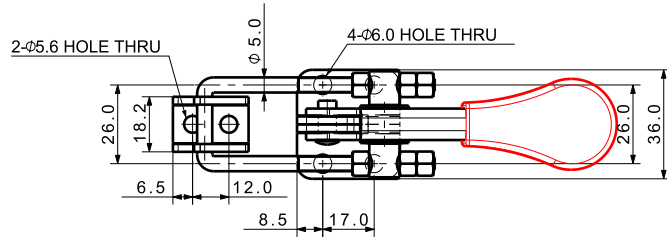


\* Lock Type

Holding Capacity(kgf)	160	U-bolt Adjust.(mm)	10
Weight(g)	90	Base Type	Flange

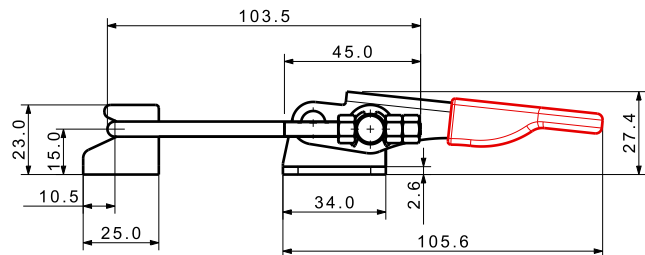
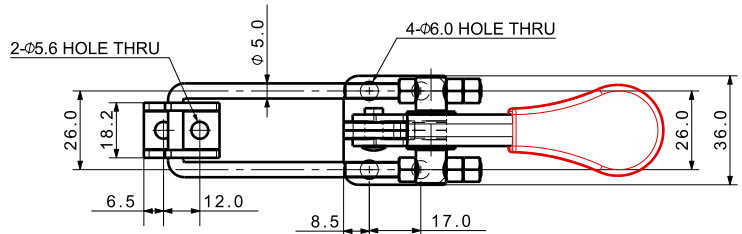


Model No. KJF-025-41F



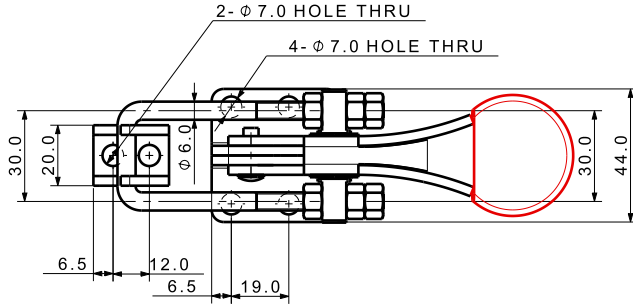
Holding Capacity(kgf)	250	U-bolt Adjust.(mm)	24
Weight(g)	165	Base Type	Flange

Model No. KJF-025-42F

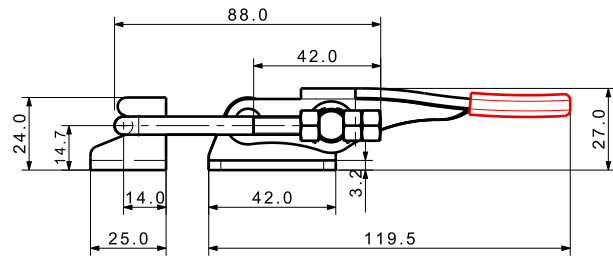


Holding Capacity(kgf)	250	U-bolt Adjust.(mm)	24
Weight(g)	169	Base Type	Flange

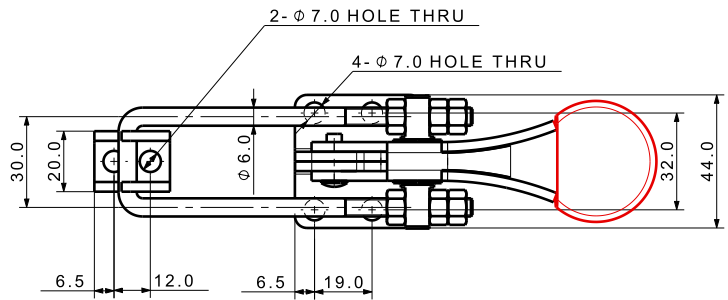
Model No. KJF-032-41FA



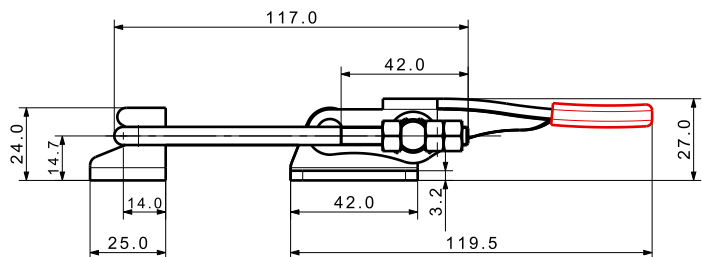
Holding Capacity(kgf)	320	U-bolt Adjust.(mm)	20
Weight(g)	251	Base Type	Flange



Model No. KJF-032-42FA

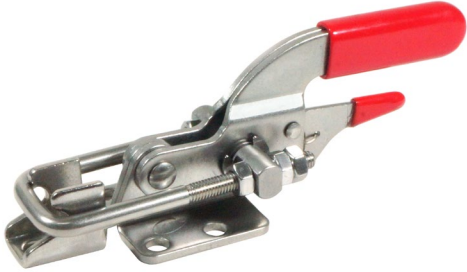


Holding Capacity(kgf)	320	U-bolt Adjust.(mm)	20
Weight(g)	265	Base Type	Flange



Model No. **KJF-032-41FSL**

\* Material : Stainless Steel

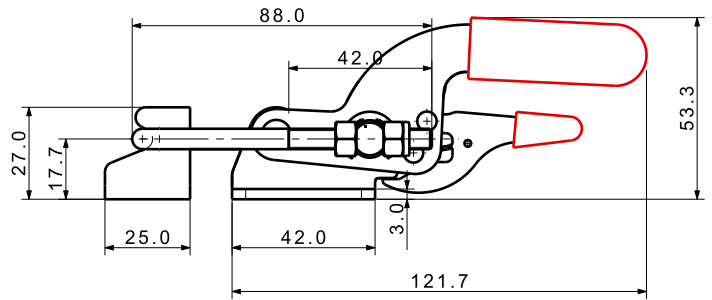
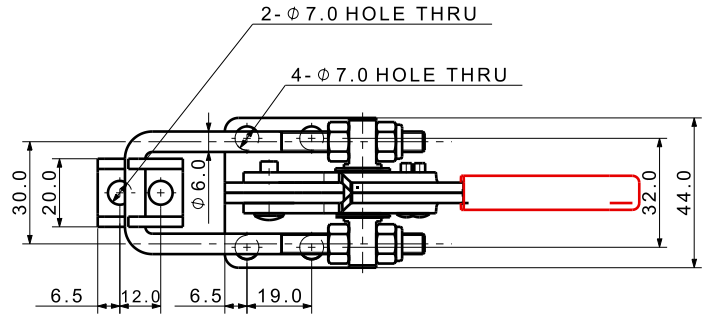


\* Lock Type

\* 떨림 /진동에 대한 풀림 방지용임.

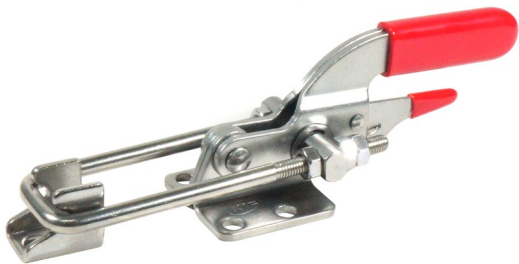
\* To prevent loosening against tremor/vibration.

Holding Capacity(kgf)	320	U-bolt Adjust.(mm)	20
Weight(g)	298	Base Type	Flange



Model No. **KJF-032-42FSL**

\* Material : Stainless Steel

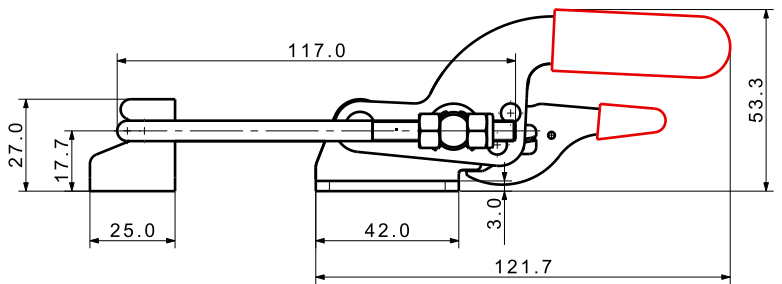
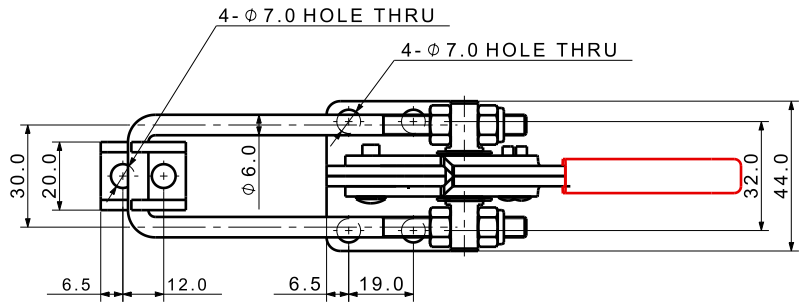


\* Lock Type

\* 떨림 /진동에 대한 풀림 방지용임.

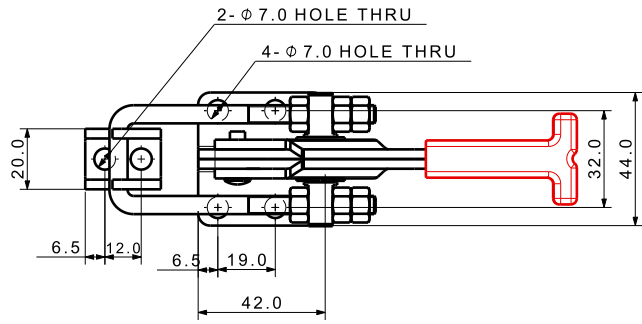
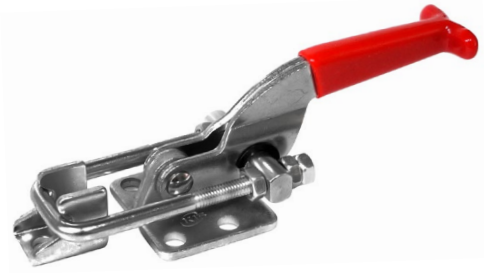
\* To prevent loosening against tremor/vibration.

Holding Capacity(kgf)	320	U-bolt Adjust.(mm)	20
Weight(g)	300	Base Type	Flange



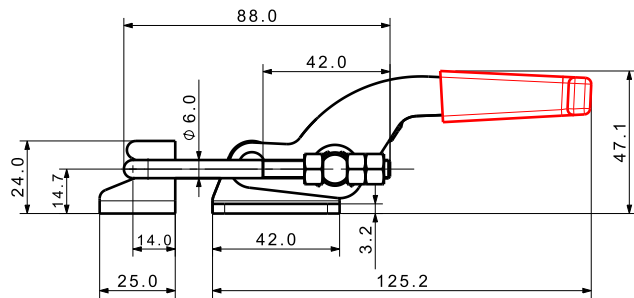
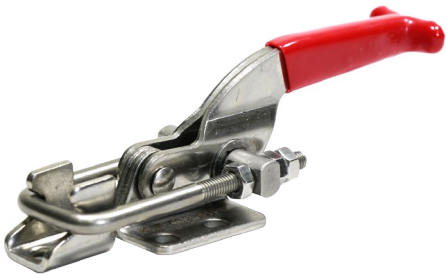


Model No. **KJF-032-41FB**



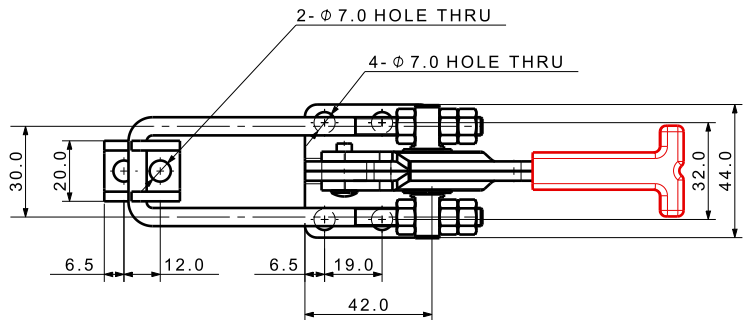
Model No. **KJF-032-41FS**

\* Material : Stainless Steel



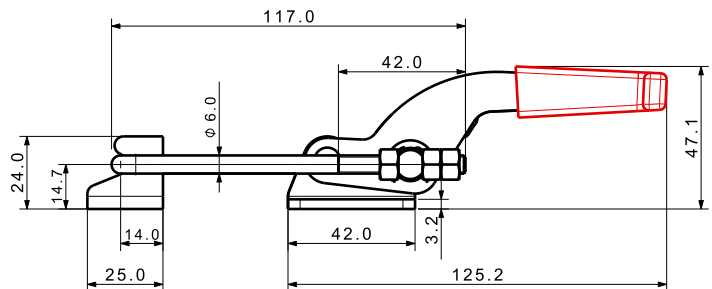
Holding Capacity(kgf)	320	U-bolt Adjust.(mm)	20
Weight(g)	258	Base Type	Flange

Model No. **KJF-032-42FB**



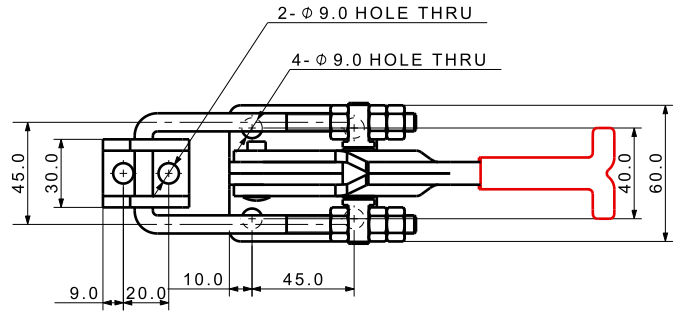
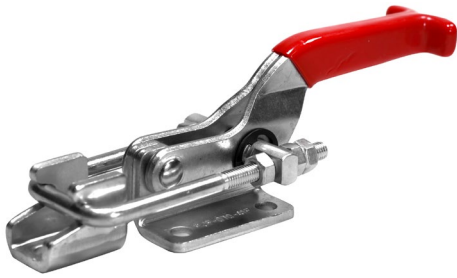
Model No. **KJF-032-42FS**

\* Material : Stainless Steel



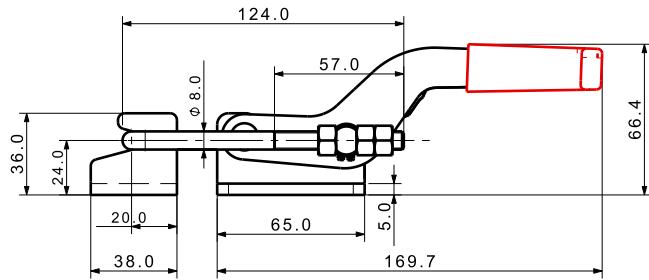
Holding Capacity(kgf)	320	U-bolt Adjust.(mm)	20
Weight(g)	269	Base Type	Flange

Model No. **KJF-070-41F**



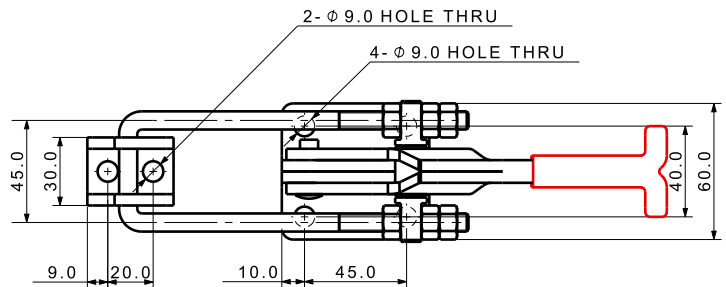
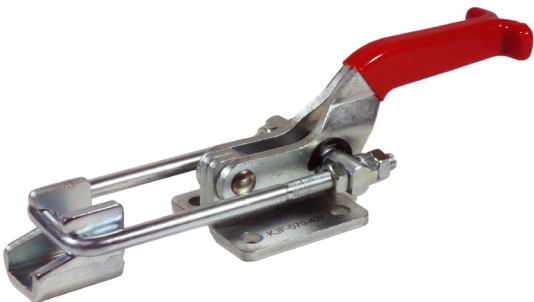
Model No. **KJF-070-41FS**

\* Material : Stainless Steel



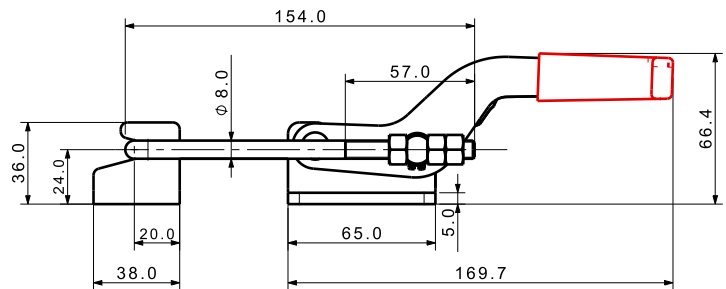
Holding Capacity(kgf)	700	U-bolt Adjust.(mm)	30
Weight(g)	778	Base Type	Flange

Model No. **KJF-070-42F**



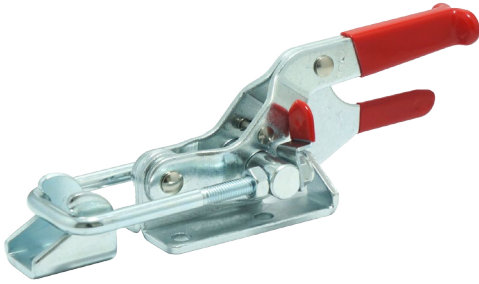
Model No. **KJF-070-42FS**

\* Material : Stainless Steel



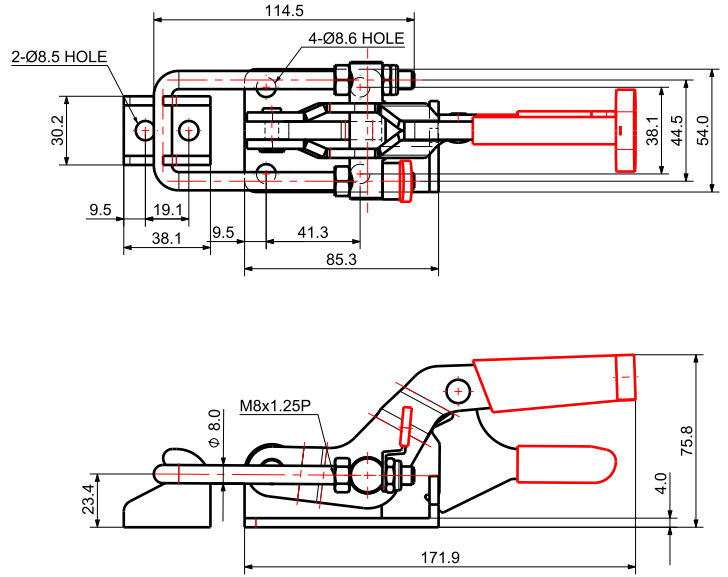
Holding Capacity(kgf)	700	U-bolt Adjust.(mm)	30
Weight(g)	800	Base Type	Flange

Model No. **KJF-090-41FL**



\* Lock Type

Holding Capacity(kgf)	900	U-bolt Adjust.(mm)	8.5
Weight(g)	750	Base Type	Flange



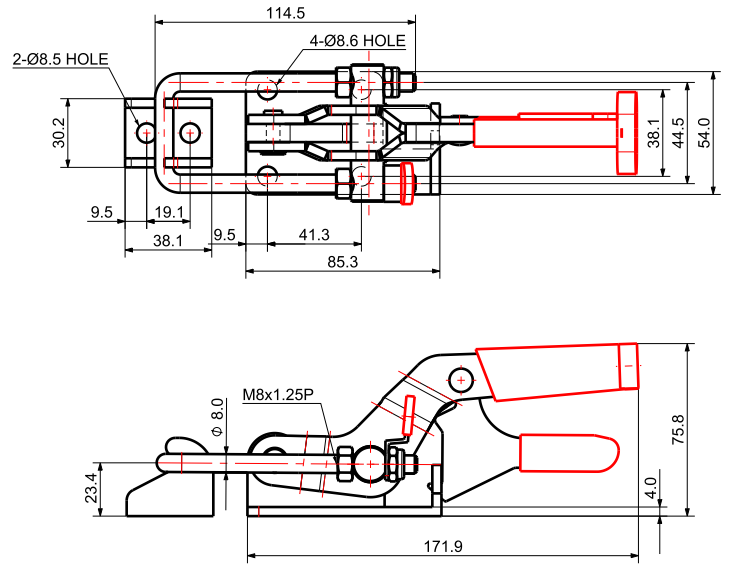
Model No. **KJF-090-41FSL**

\* Material : Stainless Steel



\* Lock Type

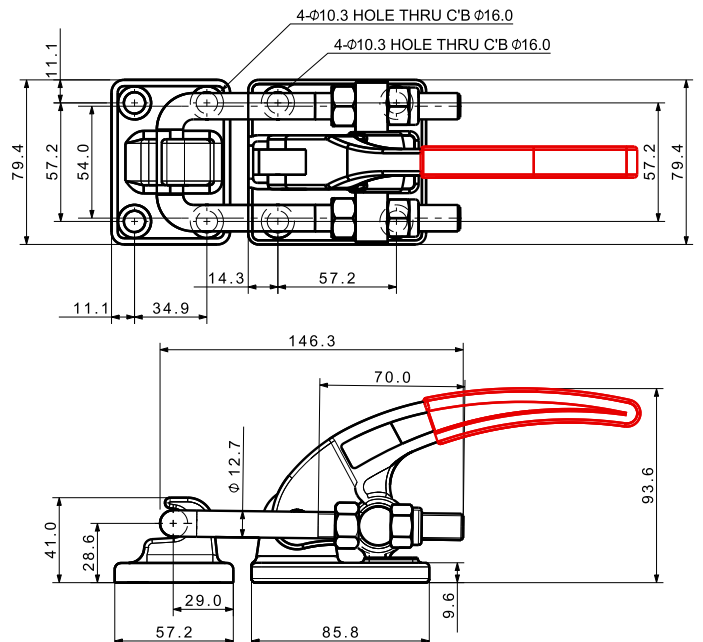
Holding Capacity(kgf)	900	U-bolt Adjust.(mm)	8.5
Weight(g)	750	Base Type	Flange



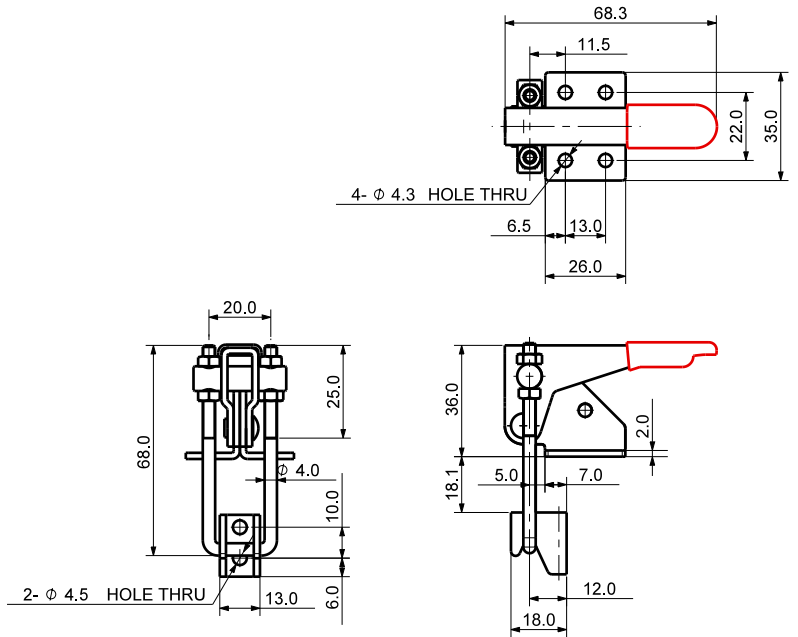
Model No. **KJF-340-41FR**



Holding Capacity(kgf)	3400	U-bolt Adjust.(mm)	29
Weight(g)	1980	Base Type	Flange



Model No. **KJF-016-43F**

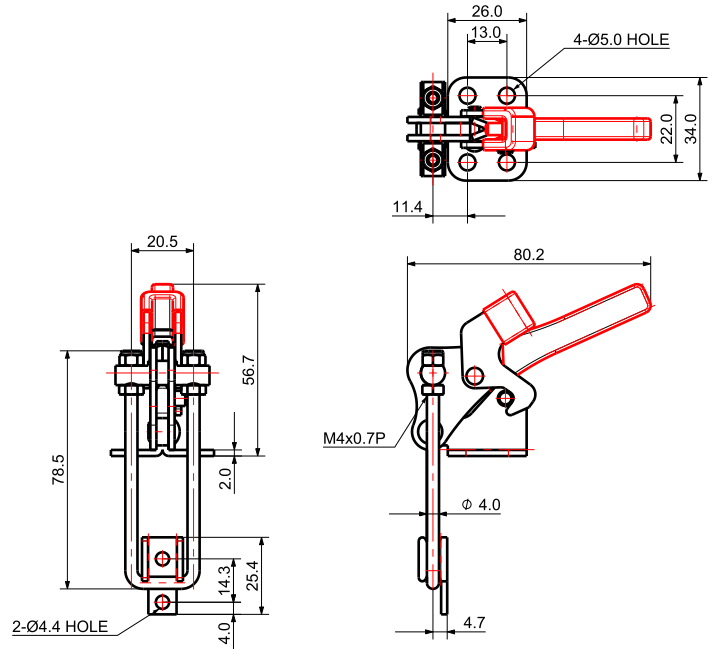


Holding Capacity(kgf)	160	U-bolt Adjust.(mm)	10
Weight(g)	102	Base Type	Flange

Model No. **KJF-023-43FL**

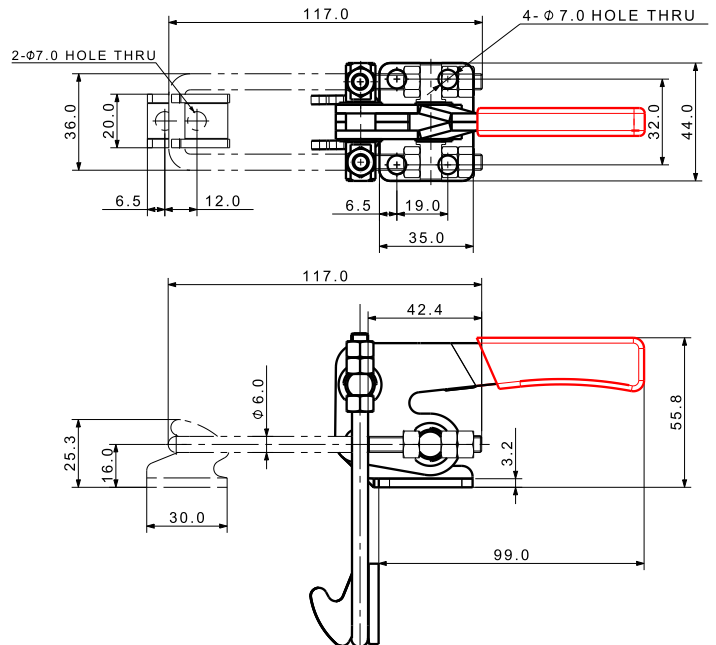


\* Lock Type



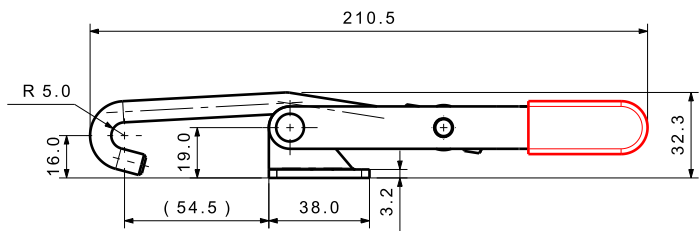
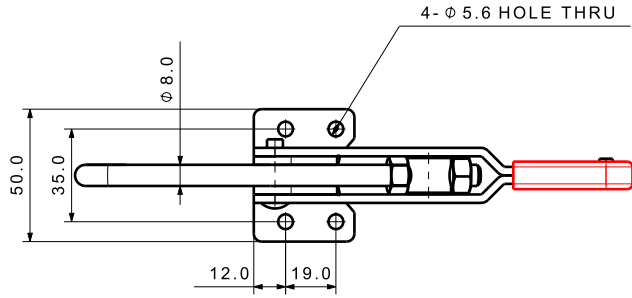
Holding Capacity(kgf)	230	U-bolt Adjust.(mm)	8
Weight(g)	120	Base Type	Flange

Model No. **KJF-032-43F**



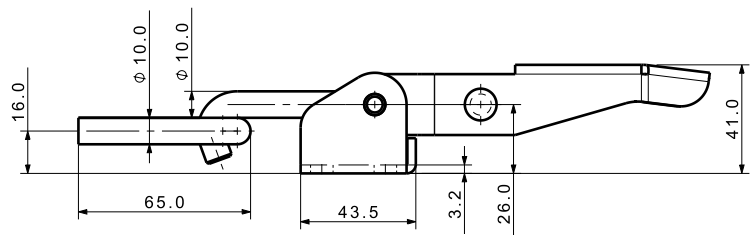
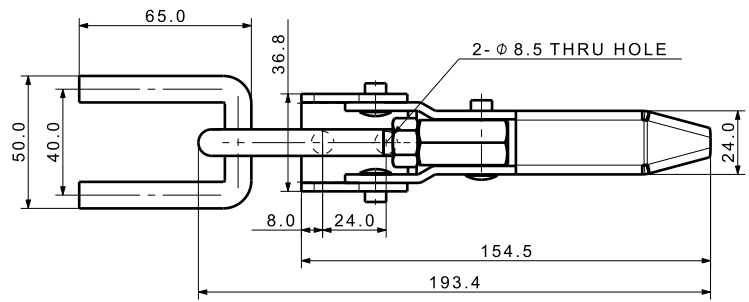
Holding Capacity(kgf)	320	U-bolt Adjust.(mm)	20
Weight(g)	320	Base Type	Flange

Model No. **KJF-017-41F**



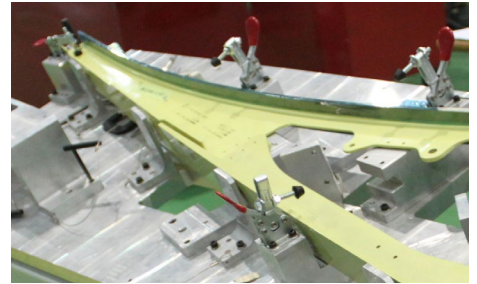
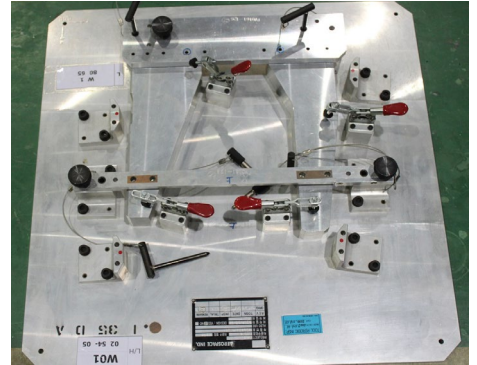
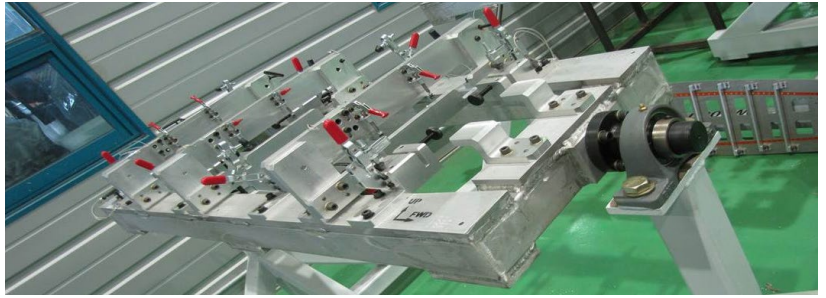
Holding Capacity(kgf)	170	U-bolt Adjust.(mm)	15
Weight(g)	269	Base Type	Flange

Model No. **KJF-030-41F**

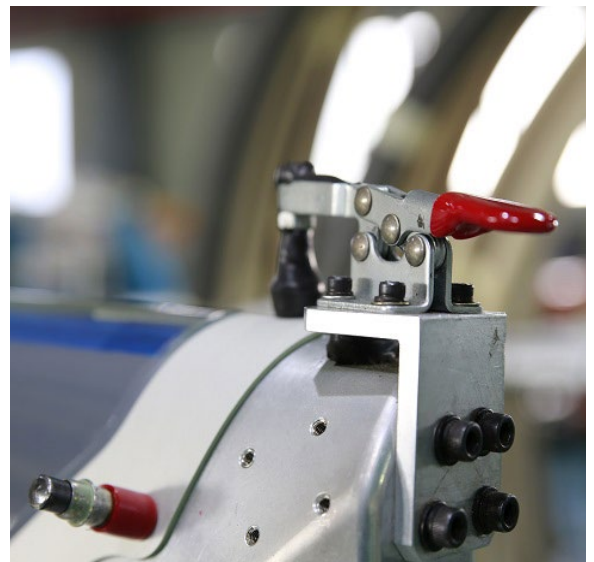


Holding Capacity(kgf)	300	U-bolt Adjust.(mm)	20
Weight(g)	482	Base Type	Flange

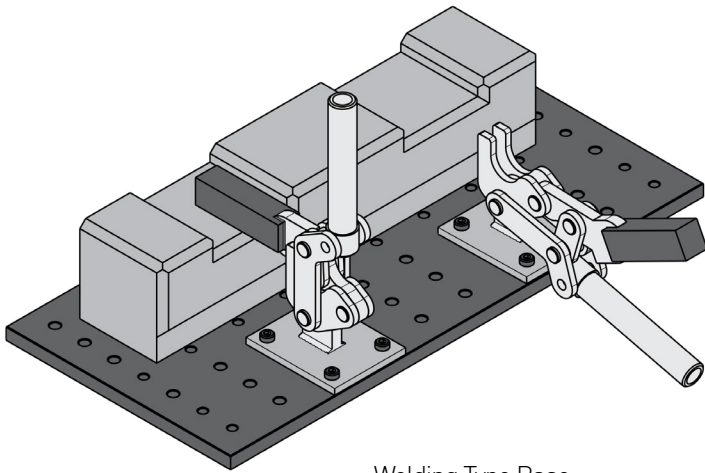
Fastening or supporting  
aerospace parts  
to machine, assemble or check



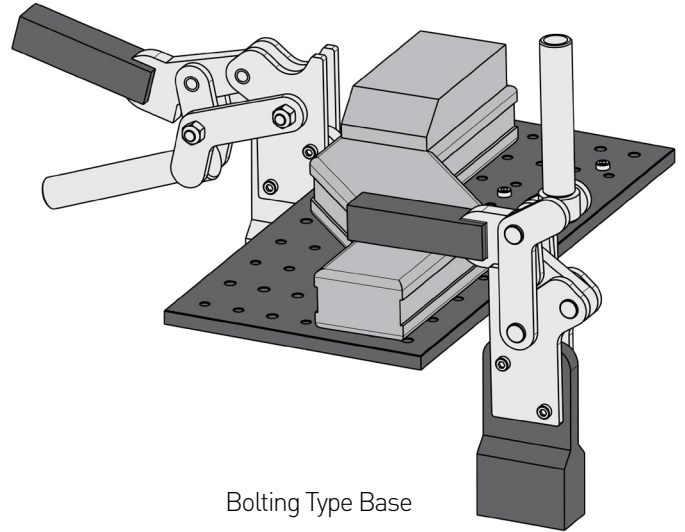
Fastening or supporting  
aerospace parts  
to machine, assemble or check



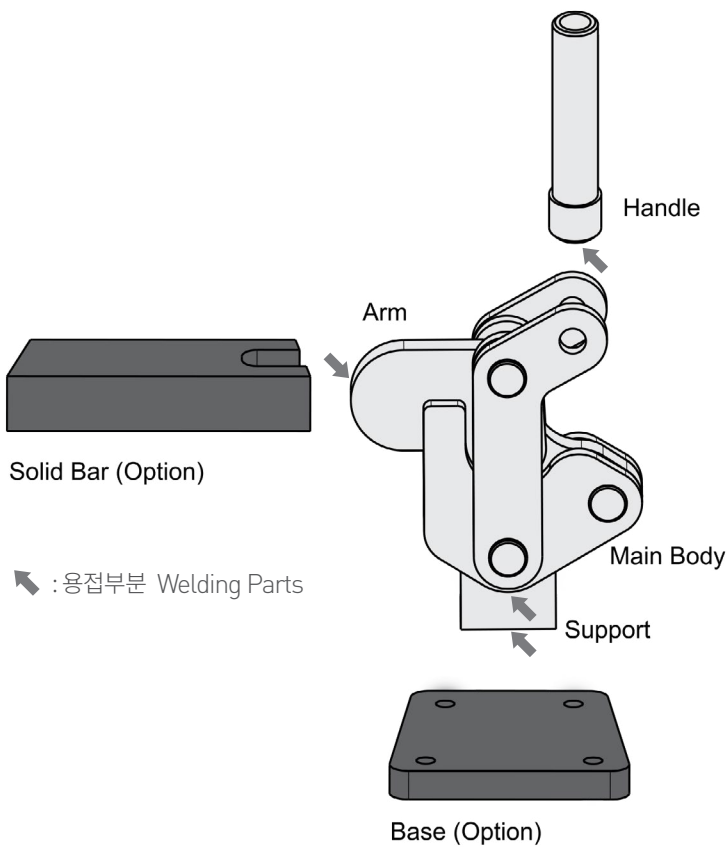
# Heavy Duty Weldable Type



Welding Type Base



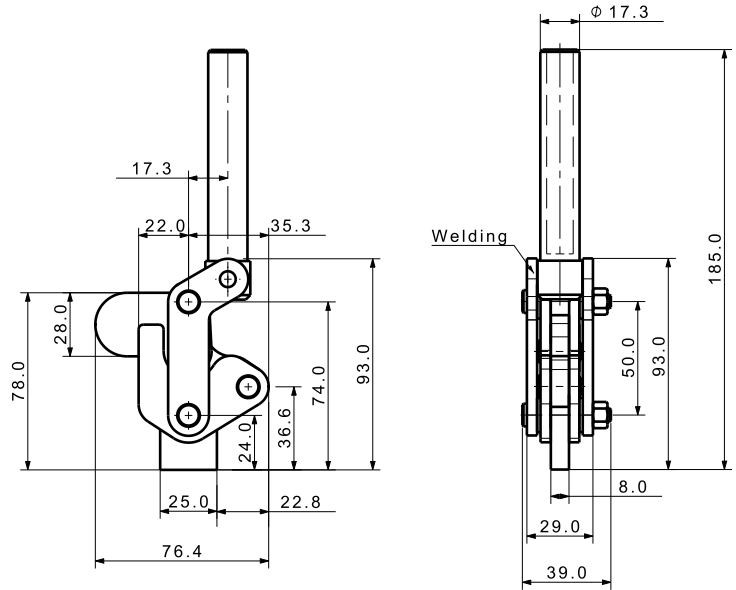
Bolting Type Base



1. 컴팩트하여 설치가 용이하고 피벗 핀과 부싱 구조를 채택하여 내구성을 향상 시켰습니다.
2. 메인바디와 핸들만 공급되며 솔리드바와 베이스는 사용자가 만들어 사용해야 합니다.
3. 사용자는 메인바디와 핸들, 솔리드바, 씨포트를 알맞게 용접해서 사용해야 합니다.

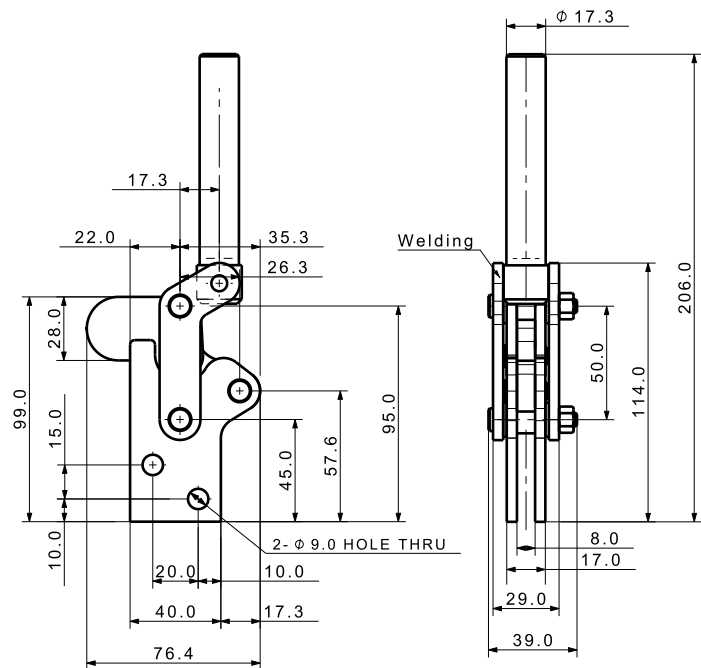
1. Compact design allows easy installation and pivot pin & bushing structure provides improved durability.
2. A clamp will come with the main body and handle but solid bar and base should be made by a user.
3. The user needs to weld the main body, handle, solid bar and support properly before using.

Model No. KJF-VR-01



Holding Capacity(kgf)	500	Handle Move	116°
Weight(g)	556	Arm Move	187°
Base Type	Weldable		

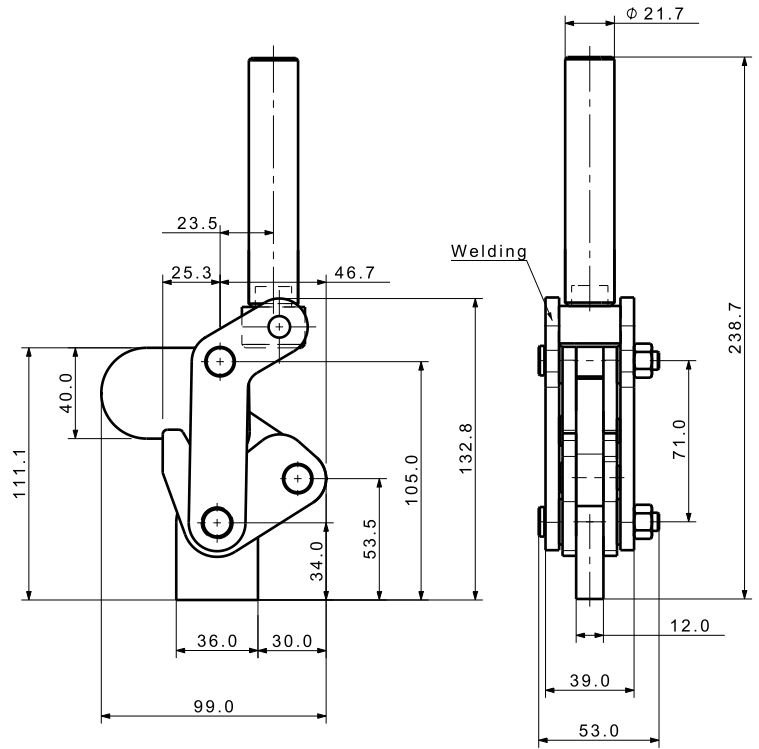
Model No. KJF-VR-11



Holding Capacity(kgf)	500	Handle Move	116°
Weight(g)	609	Arm Move	187°
Base Type	Bolting		

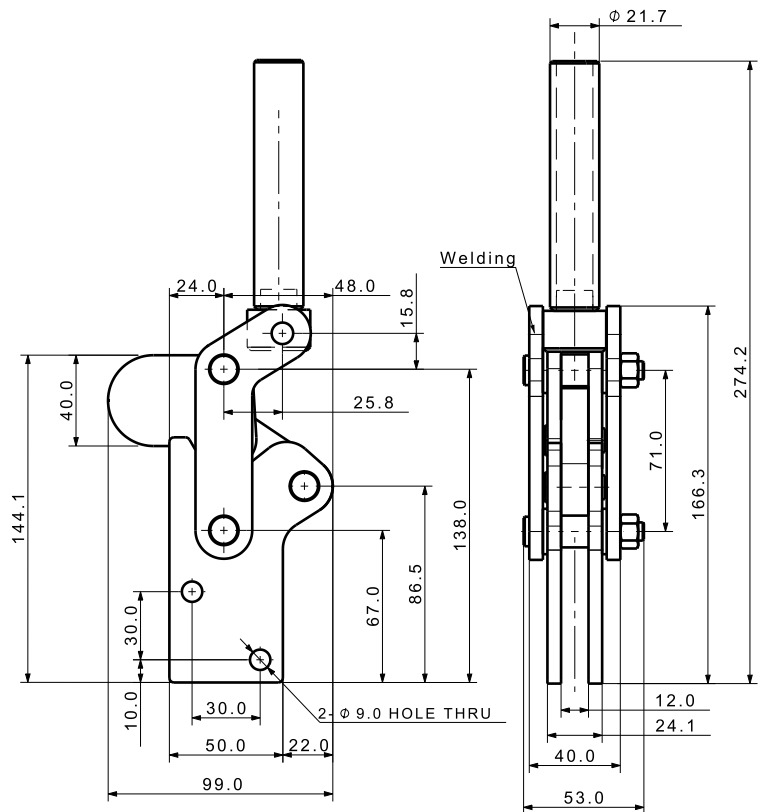


Model No. KJF-VR-02



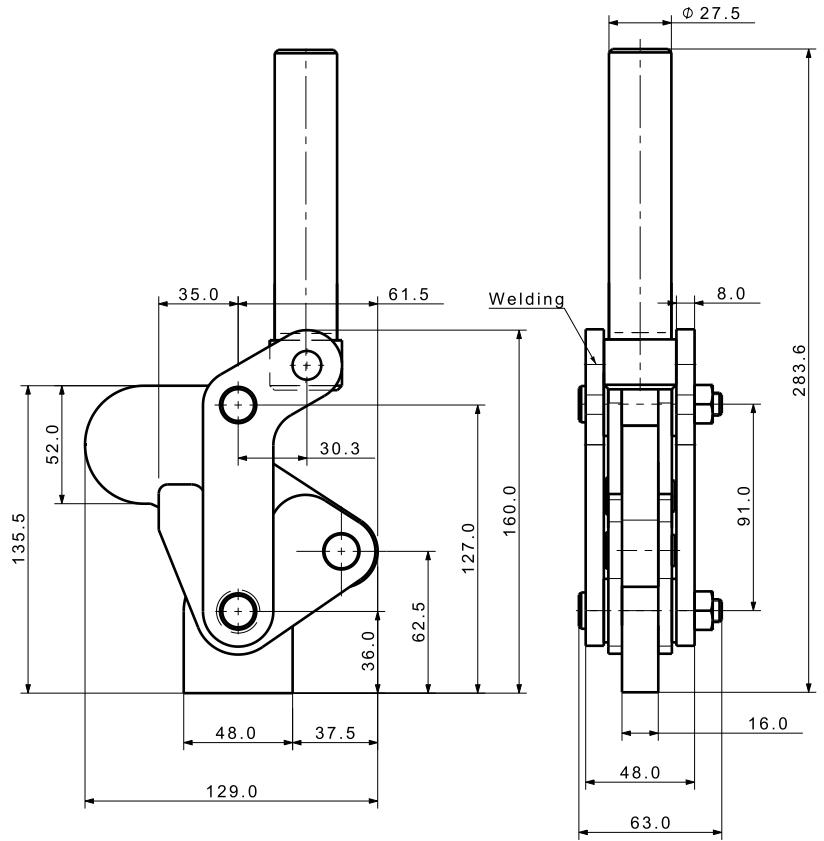
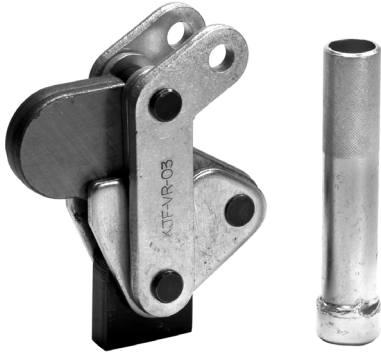
Holding Capacity(kgf)	1000	Handle Move	116°
Weight(g)	1330	Arm Move	187°
Base Type	Weldable		

Model No. KJF-VR-12



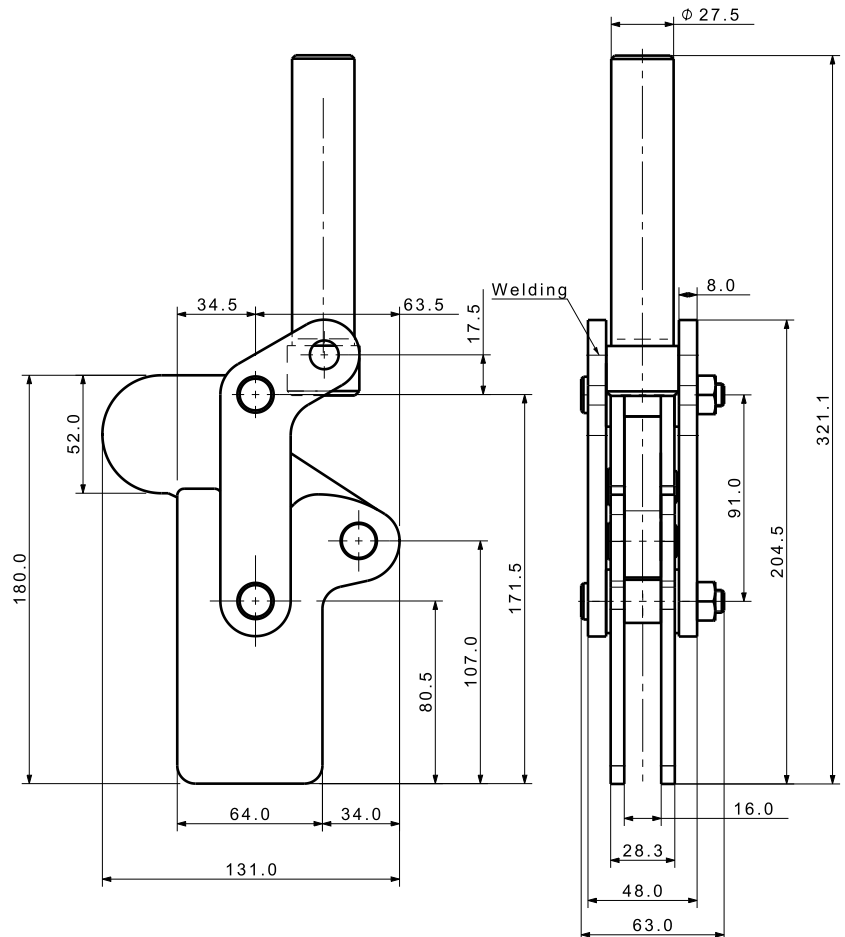
Holding Capacity(kgf)	1000	Handle Move	116°
Weight(g)	1380	Arm Move	187°
Base Type	Bolting		

Model No. KJF-VR-03



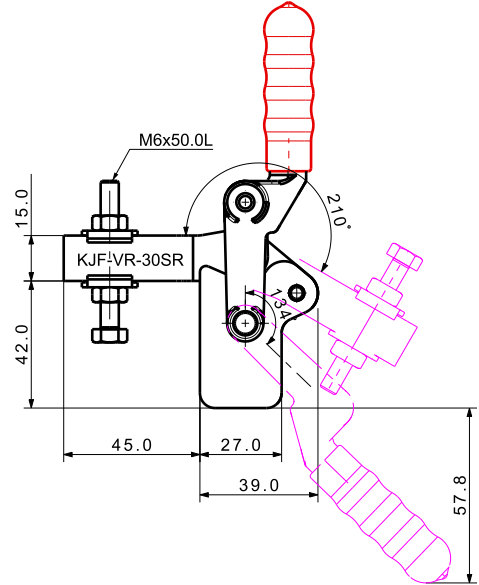
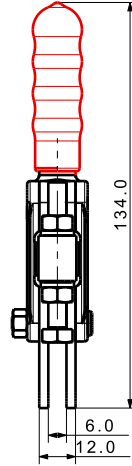
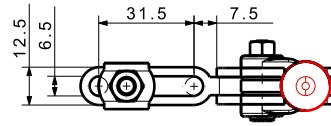
Holding Capacity(kgf)	2000	Handle Move	116°
Weight(g)	2440	Arm Move	187°
Base Type	Weldable		

Model No. KJF-VR-13

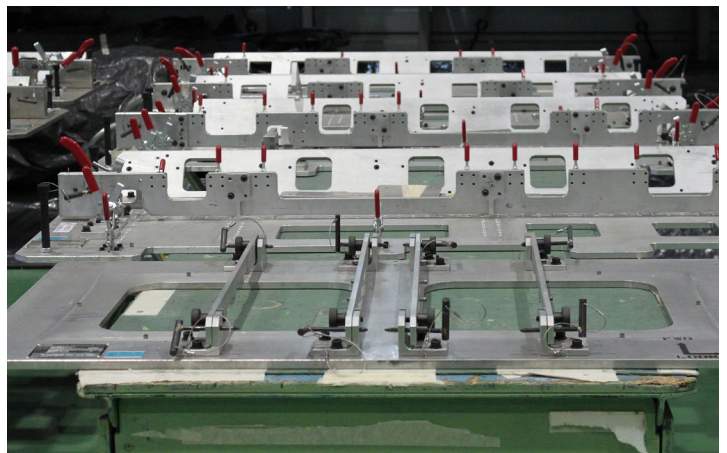
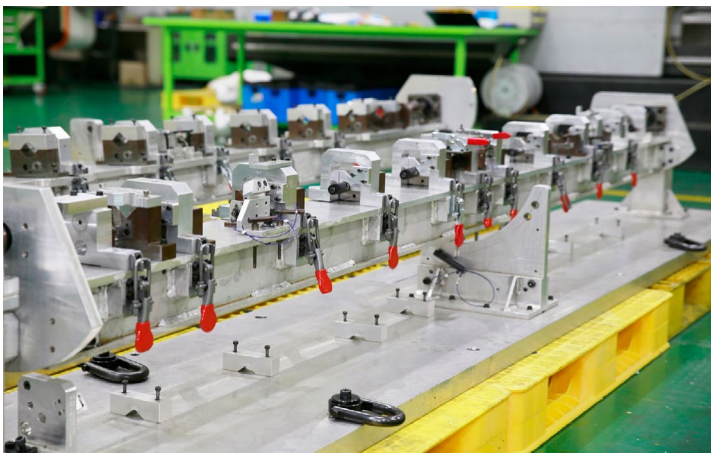
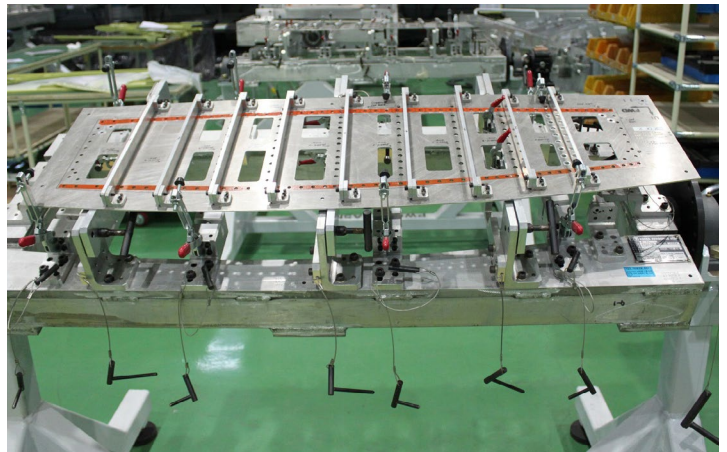
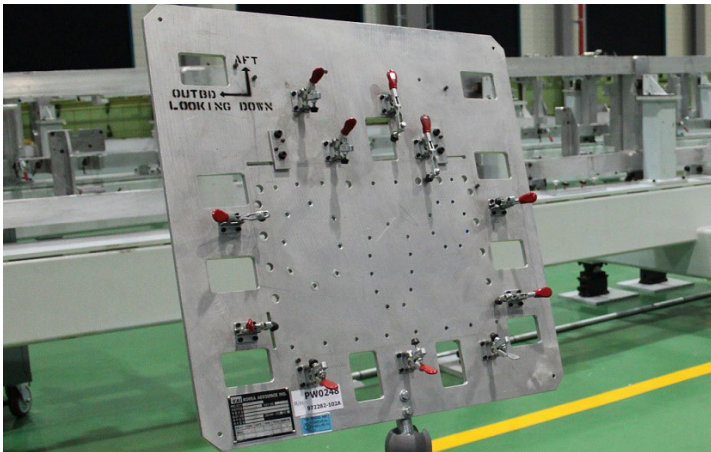


Holding Capacity(kgf)	2000	Handle Move	116°
Weight(g)	2660	Arm Move	187°
Base Type	Weldable		

Model No. KJF-VR-30SR

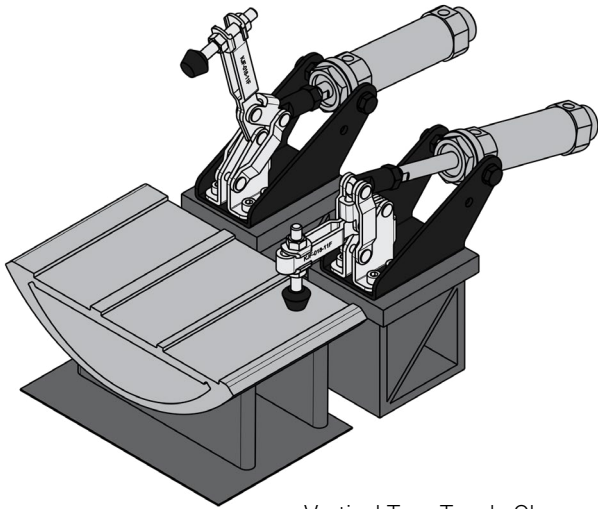


Holding Capacity(kgf)	300	Hand Move	134°
Weight(g)	290	Arm Move	210°
Base Type	Weldable		

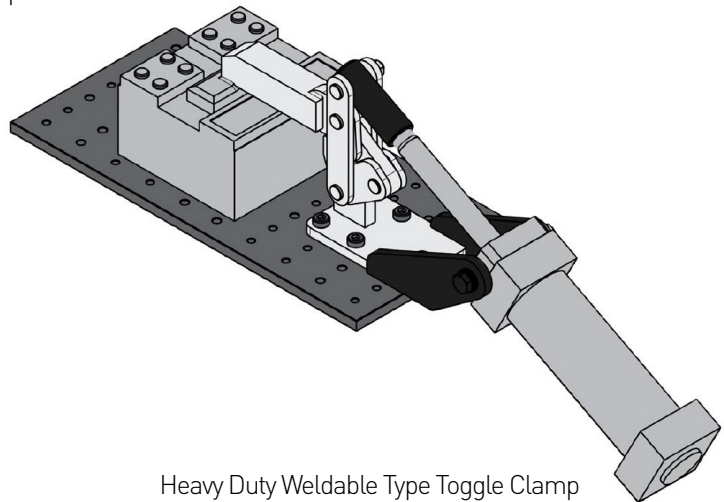




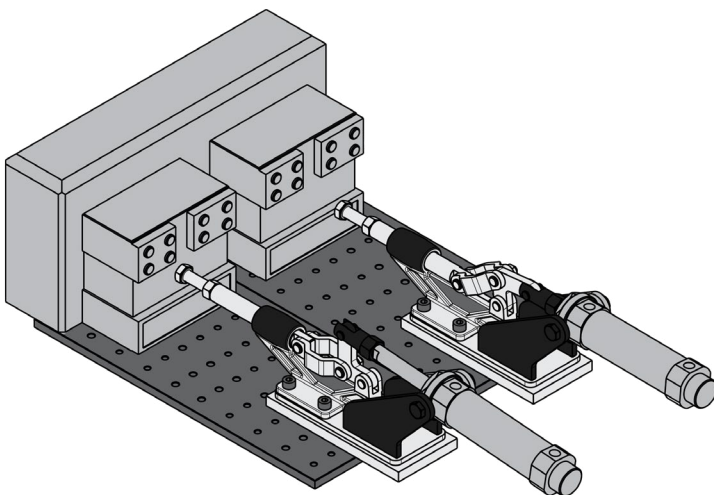
## Pneumatic Type



Vertical Type Toggle Clamp



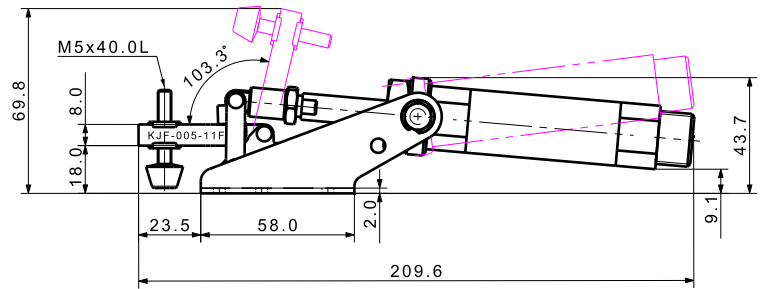
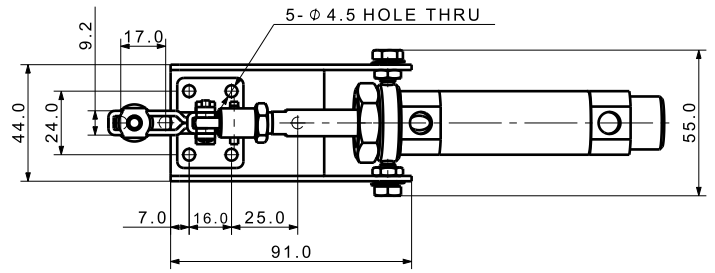
Heavy Duty Weldable Type Toggle Clamp



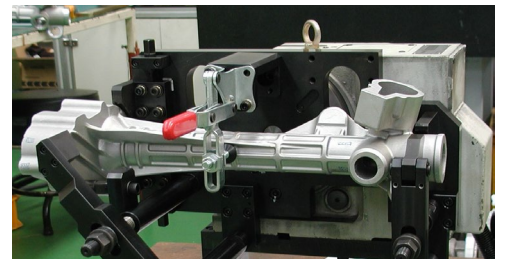
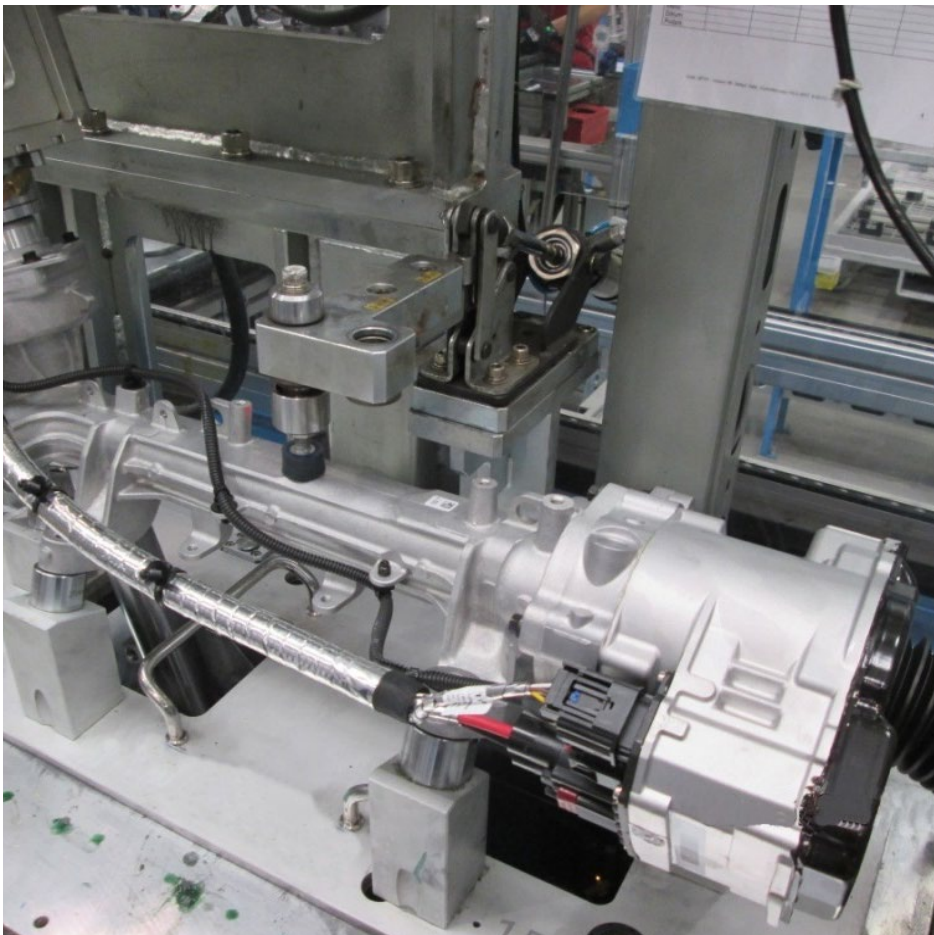
Push/Pull Type Toggle Clamp

- \* 마그네트 내장형 실린더
- \* Cylinder with Built-In Magnet

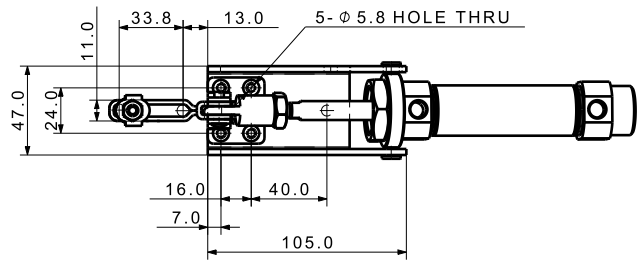
Model No. **KJF-AR-1051**



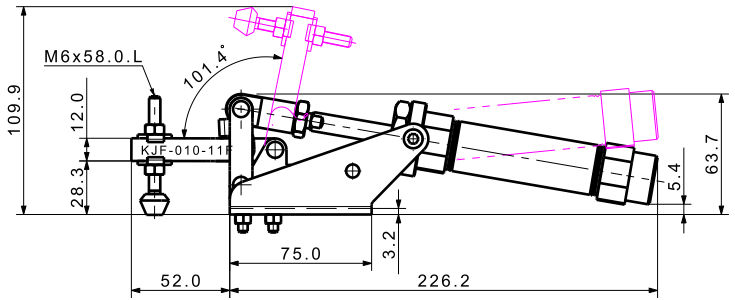
Holding Capacity(kgf)	50	Spindle Adjust.(mm)	17
Weight(g)	345	Air Port Size	PT 1/8
Arm Move	103°	Cylinder Size	ø20 x 25(ST)



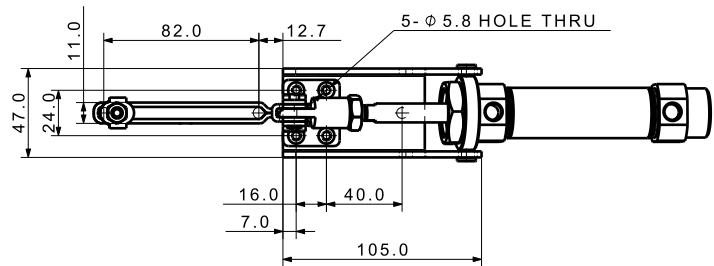
Model No. KJF-AR-1101



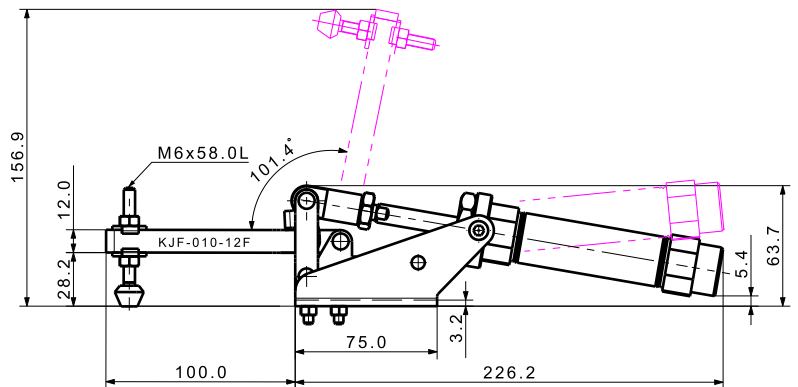
Holding Capacity(kgf)	100	Spindle Adjust.(mm)	34
Weight(g)	708	Air Port Size	PT 1/8
Arm Move	101°	Cylinder Size	ø25 x 50(ST)



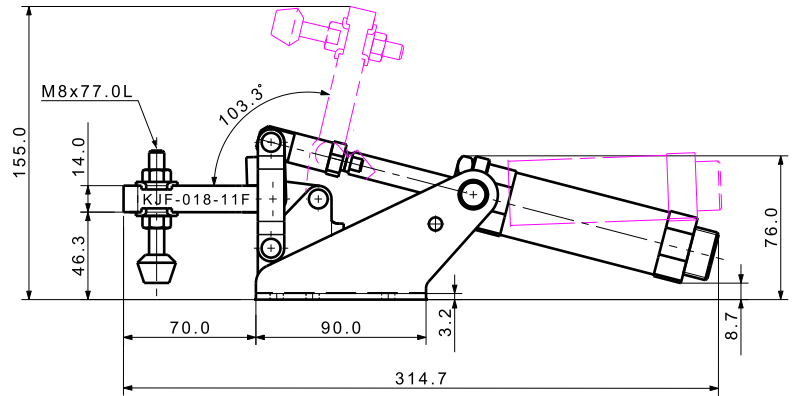
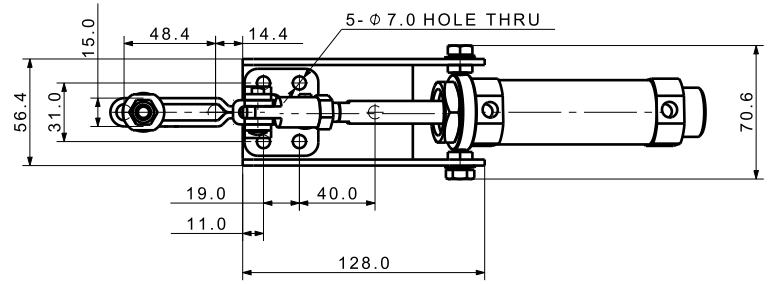
Model No. KJF-AR-1102



Holding Capacity(kgf)	100	Spindle Adjust.(mm)	82
Weight(g)	730	Air Port Size	PT 1/8
Arm Move	101°	Cylinder Size	ø25 x 50(ST)

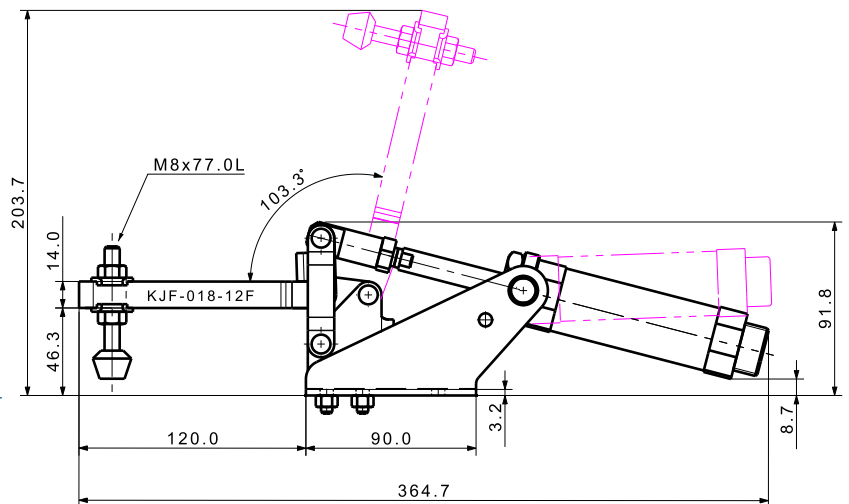
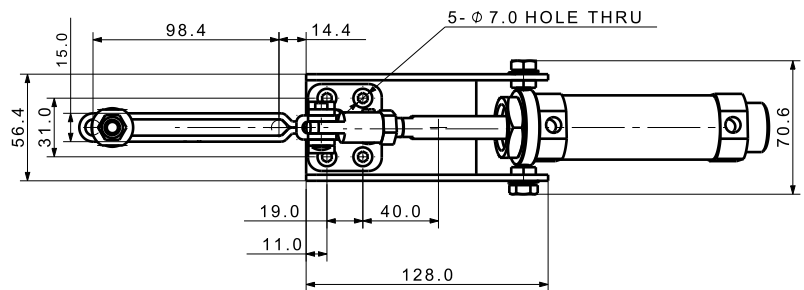


Model No. KJF-AR-1181



Holding Capacity(kgf)	180	Spindle Adjust.(mm)	48
Weight(g)	1140	Air Port Size	PT 1/8
Arm Move	103°	Cylinder Size	ø32x50(ST)

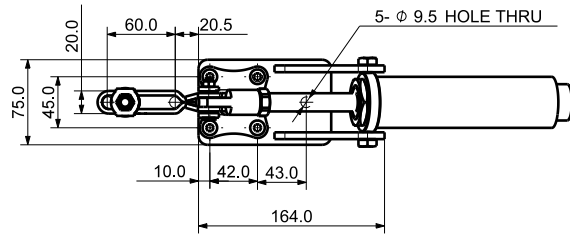
Model No. KJF-AR-1182



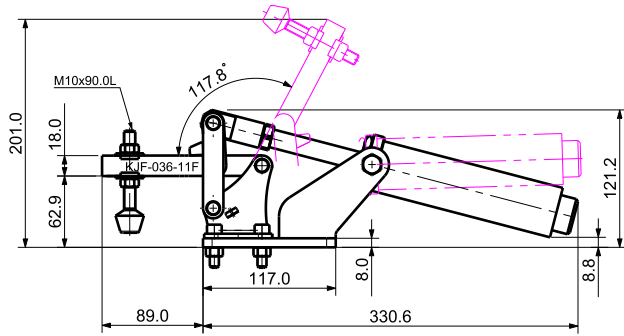
Holding Capacity(kgf)	180	Spindle Adjust.(mm)	81
Weight(g)	1170	Air Port Size	PT 1/8
Arm Move	103°	Cylinder Size	ø32x50(ST)



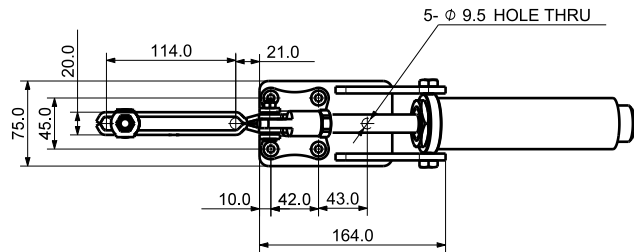
Model No. KJF-AR-1361



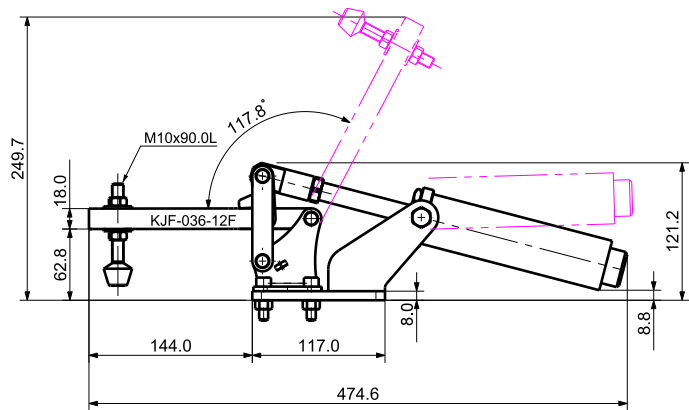
Holding Capacity(kgf)	360	Spindle Adjust.(mm)	60
Weight(g)	2582	Air Port Size	PT 1/4
Arm Move	118°	Cylinder Size	φ40 x 75(ST)



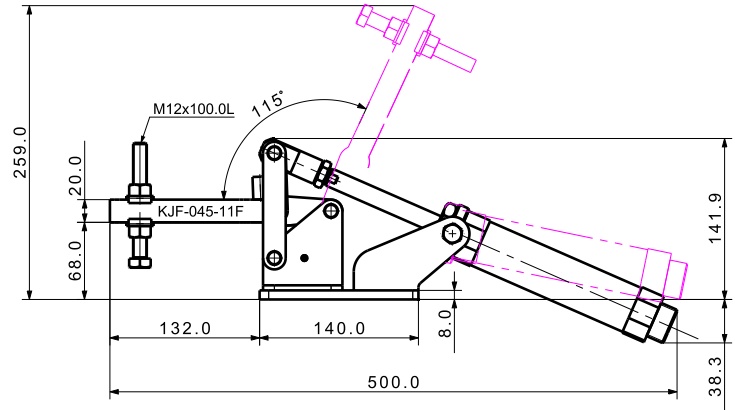
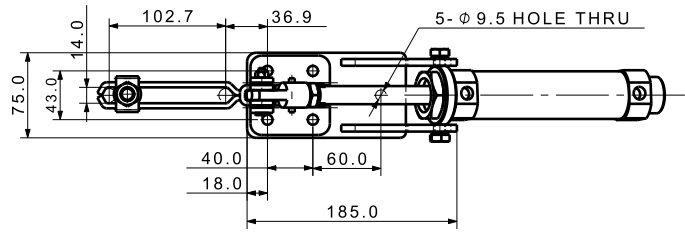
Model No. KJF-AR-1362



Holding Capacity(kgf)	360	Spindle Adjust.(mm)	114
Weight(g)	2647	Air Port Size	PT 1/4
Arm Move	118°	Cylinder Size	φ40 x 75(ST)

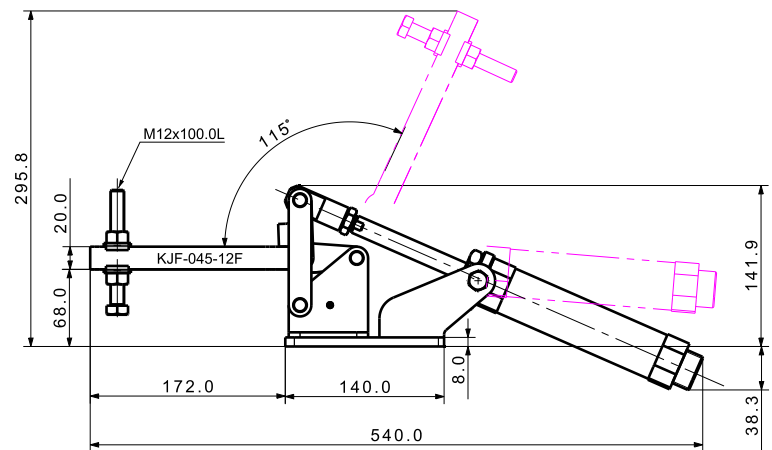
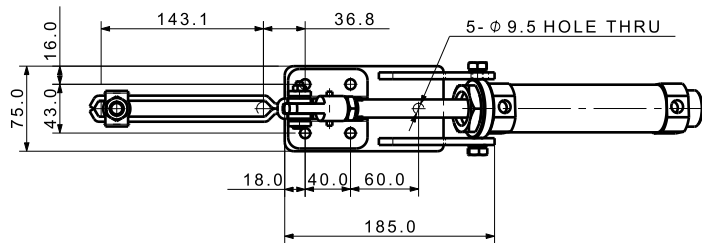


Model No. KJF-AR-1451



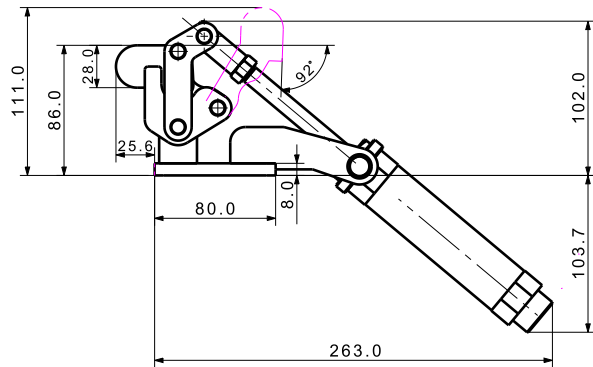
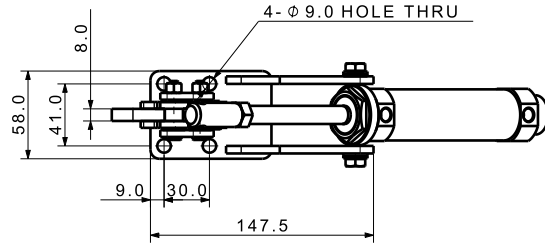
Holding Capacity(kgf)	450	Spindle Adjust.(mm)	103
Weight(g)	3180	Air Port Size	PT 1/4
Arm Move	115°	Cylinder Size	φ40 x 100(ST)

Model No. KJF-AR-1452



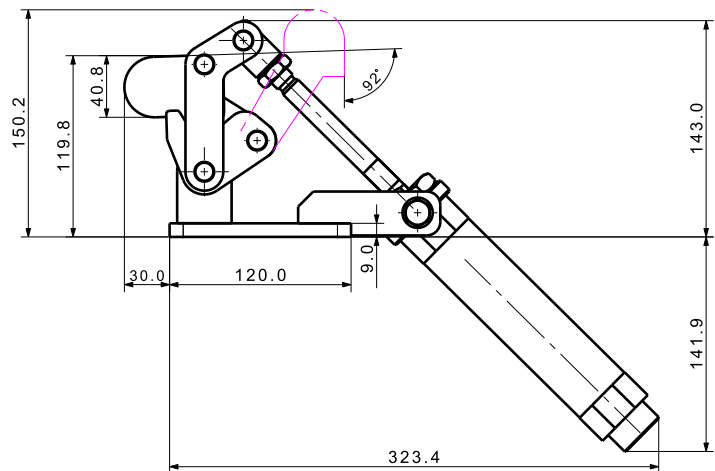
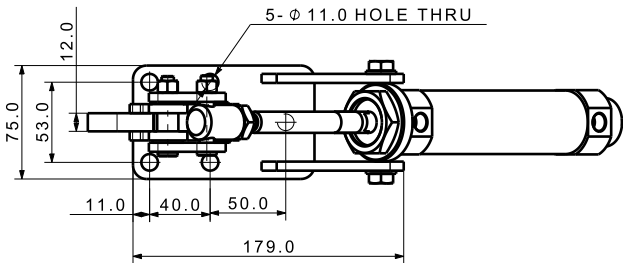
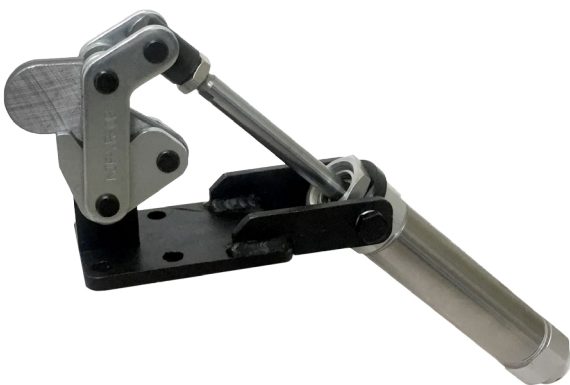
Holding Capacity(kgf)	450	Spindle Adjust.(mm)	143
Weight(g)	3230	Air Port Size	PT 1/4
Arm Move	115°	Cylinder Size	φ40 x 100(ST)

Model No. KJF-AR-701



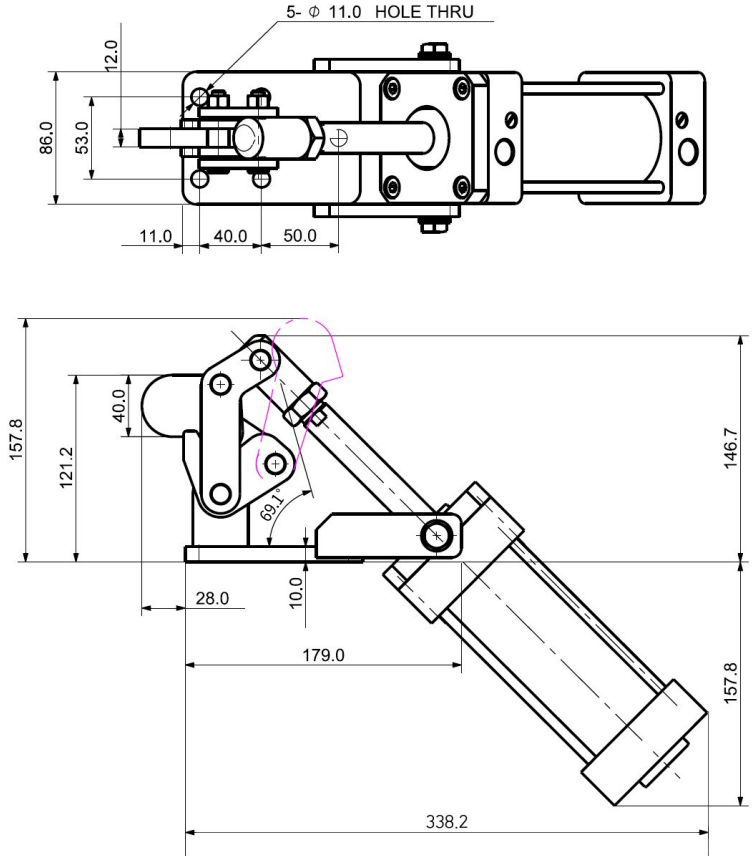
Holding Capacity(kgf)	500	Spindle Adjust.(mm)	N / A
Weight(g)	1410	Air Port Size	PT 1/8
Arm Move	92°	Cylinder Size	$\phi$ 32 x 75(ST)

Model No. KJF-AR-702



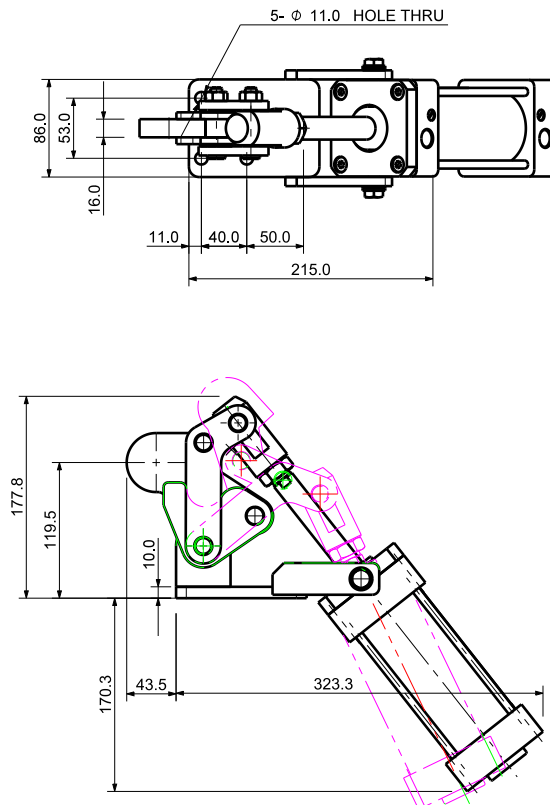
Holding Capacity(kgf)	1000	Spindle Adjust.(mm)	N / A
Weight(g)	2940	Air Port Size	PT 1/4
Arm Move	92°	Cylinder Size	$\phi$ 40 x 100(ST)

Model No. **KJF-AR-702A**



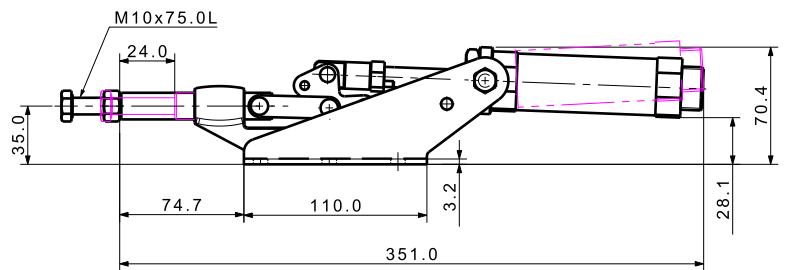
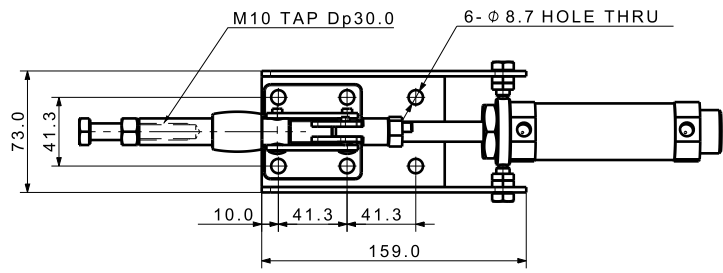
Holding Capacity(kgf)	1000	Spindle Adjust.(mm)	N / A
Weight(g)	4820	Air Port Size	PT 3/8
Arm Move	69.1°	Cylinder Size	ø63 x 100(ST)

Model No. **KJF-AR-703**



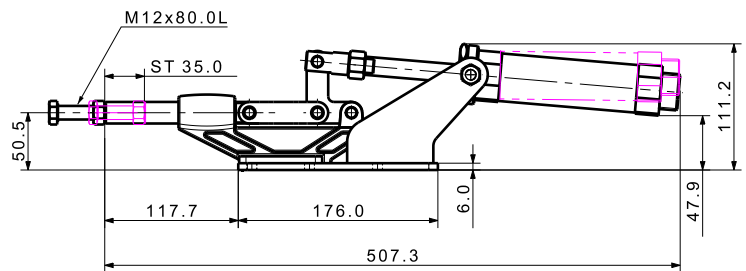
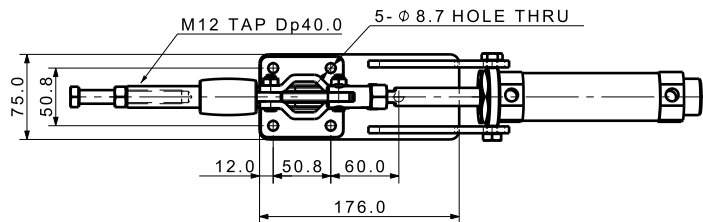
Holding Capacity(kgf)	2000	Spindle Adjust.(mm)	N / A
Weight(g)	5930	Air Port Size	PT3/8
Arm Move	47°	Cylinder Size	ø63x100(ST)

Model No. **KJF-AR-3040**



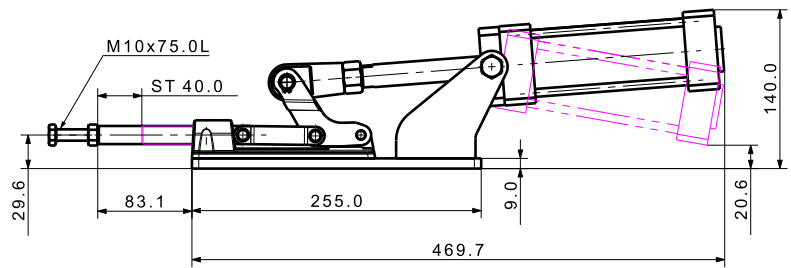
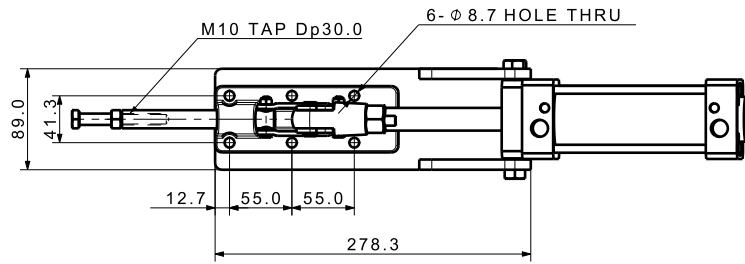
Holding Capacity(kgf)	400	Rod Stroke(mm)	24
Weight(g)	1500	Air Port Size	PT 1/8
Arm Move	N / A	Cylinder Size	$\phi$ 32 x 50(ST)

Model No. **KJF-AR-3070**



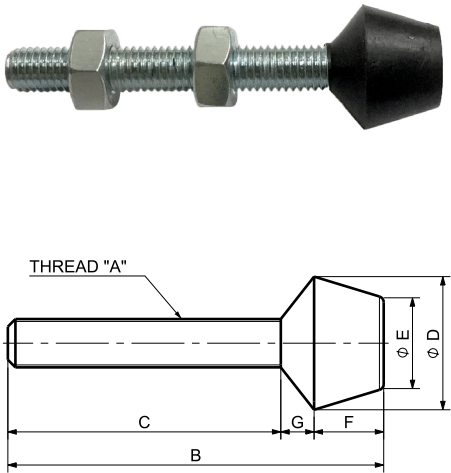
Holding Capacity(kgf)	700	Rod Stroke(mm)	35
Weight(g)	3400	Air Port Size	PT 1/4
Arm Move	N / A	Cylinder Size	$\phi$ 40 x 75(ST)

Model No. KJF-AR-3120



Holding Capacity(kgf)	1200	Rod Stroke(mm)	40
Weight(g)	5840	Air Port Size	PT 3/8
Arm Move	N / A	Cylinder Size	$\phi$ 60 x 100(ST)

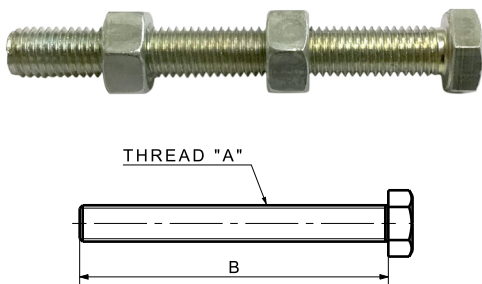
**Rubber Spindles**



Model No.	A	Pitch	B	C	D	E	F	G	Remark
C8110430	M4	0.7	30	24	11	6	5	1	Standard
C8150530	M5	0.8	30	25	10	10	5	N/A	
C8110540	M5	0.8	40	31	14	10	7	2	Standard
C8110658	M6	1	58	47	16	10	9	2	Standard
C81106100	M6	1	100	89	16	10	9	2	
C81106150	M6	1	150	139	16	10	9	2	
C8150842	M8	1.25	42	33	19	19	9	N/A	
C8110867	M8	1.25	67	51	22	13	11	5	
C8110877	M8	1.25	77	61	22	13	11	5	Standard
C81108100	M8	1.25	100	84	22	13	11	5	
C81108110	M8	1.25	110	94	22	13	11	5	
C81108120	M8	1.25	120	104	22	13	11	5	
C81108130	M8	1.25	130	114	22	13	11	5	
C81108150	M8	1.25	150	134	22	13	11	5	
C81108160	M8	1.25	160	144	22	13	11	5	
C81108200	M8	1.25	200	184	22	13	11	5	
C8111090	M10	1.5	90	69	26	17	14	7	Standard
C81110100	M10	1.5	100	79	26	17	14	7	
C81110110	M10	1.5	110	89	26	17	14	7	
C81110115	M10	1.5	115	94	26	17	14	7	
C81110120	M10	1.5	120	99	26	17	14	7	
C81110140	M10	1.5	140	119	26	17	14	7	
C81112114	M12	1.75	114	92	28	20	15	7	Standard

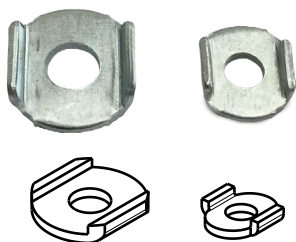
**Stainless Steel Rubber Spindles**

Model No.	A	Pitch	B	C	D	E	F	G	Remark
C8120540	M5	0.8	40	31	14	10	7	2	Standard
C8120658	M6	1	58	47	16	10	9	2	Standard
C8120867	M8	1.25	67	51	22	13	11	5	
C8120877	M8	1.25	77	61	22	13	11	5	Standard
C81208110	M8	1.25	110	94	22	13	11	5	



**Bolt Spindles**

Model No.	A	Pitch	B	C	Remark
C8130525	M5	0.8	25	3.5	Standard
C8130630	M6	1	30	4	Standard
C8130865	M8	1.25	65	5.5	Standard
C81308100	M8	1.25	100	5.5	
C8131050	M10	1.5	50	7	
C8131075	M10	1.5	75	7	Standard
C8131280	M12	1.75	80	8	
C81312100	M12	1.75	100	8	Standard
C81316130	M16	2	130	10	Standard



**Washer (for U-Arm)**

Model No.	A
C8305	M5 Spindle
C8306	M6 Spindle
C8308	M8 Spindle
C8310	M10 Spindle
C8312	M12 Spindle
C8316	M16 Spindle

## Hydraulic & Pneumatic Clamping Systems



유압클램핑시스템



공압클램핑시스템



로터리조인트



위크서포트



## Memo



## Memo

